

GROUP INDEX

AIR CONDITIONER & HEATER	44	FRONT LAMPS	43	REAR SUSPENSION	63
BACK GLASS	62	FRONT PANELS	43	RESTRAINT SYSTEMS	53
CONSOLE	53	FRONT SUSPENSION	49	ROOF	57
COOLING	44	FUEL SYSTEM	62	SEATS & TRACKS	54
COWL	52	HOOD	45	STEERING COLUMN	50
ELECTRICAL	46	INSTRUMENT PANEL	52	STEERING GEAR & LINKAGE	50
EMISSION SYSTEM	49	PAINT IDENTIFICATION	43	STEERING WHEEL	51
ENGINE	47	PILLARS, ROCKER & FLOOR	58	TRANSMISSION	48
EXHAUST SYSTEM	48	QUARTER PANEL	62	TRUNK LID	64
FENDER	45	REAR BODY & FLOOR	63	UNDERHOOD DIAGRAM	45
FRAME	46	REAR BUMPER	65	WHEELS	49
FRONT BUMPER	43	REAR DOOR	60	WINDSHIELD	51
FRONT DOOR	59	REAR LAMPS	65		

PAINT IDENTIFICATION

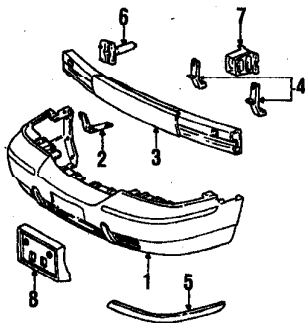
PAINT PROCESS

All colors are base coat/clear coat.

PAINT CODE IDENTIFICATION

Paint codes located on drivers lock pillar

FRONT BUMPER



JA98005

OVERHAUL OPERATIONS

o/h bumper Assy .. 98-02 @ 2.5

R&I OPERATIONS

R&I bumper cover .. 98-02 @ 1.9

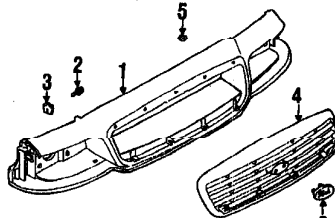
PARTS AND R&R OPERATIONS

BUMPER & COMPONENTS

1 Bumper cover (p2.8) .. 98-02	423.12@	2.3	1W7Z17D857CA
2 bracket .. 98-02B	¶		SEE FOOTNOTE
3 impact bar .. 98-02	179.40†	2.5	YW1Z17757AA
4 guide bracket .. 98-02B	6.12		F8AZ17C829AA
5 Cover molding .. 98	37.93†	0.5	F8AZ17C829AA
bright .. 99	37.93†	0.5	F8AZ17C829AA
black .. 99	39.15†	0.5	YW7Z17C829BA
black .. 00-02	39.15†	0.5	YW7Z17C829AA
black .. 00-02	39.15†	0.5	YW7Z17C829AA
6 Energy absorber .. 98-02R	53.02#	0.2	F8AZ17F549A
98-02L	53.72#	0.2	F8AZ17755AA
7 Housing			
energy absorber .. 98-02B	31.30*	0.3	F8VZ17E796AA
stud plate .. 98-02B	1.47		F8VZ17E954AA
8 License bracket .. 98-02	21.30<	0.2	F8AZ17A385AA

- # LABOR: Time is after bumper is removed.
- ¶ PARTS: Part included with bumper cover.
- † LABOR: Time is for overhaul.
- ‡ LABOR: Time included with cover R&R or overhaul.
- § LABOR: Time includes R&I/R&R sight shield and side marker lamps.
- * LABOR: Time is after energy absorber is removed.
- < LABOR: Time not included with R&I/R&R or OVERHAUL.

FRONT PANELS



JA98010

REFINISHING NOTES

Refn front panel edges .. 98-02 p.5
 ADD IF REQUIRED
 Aim headlamps .. 98-02 0.5

OVERLAP OPERATIONS

R&R front panel with 1 fender off deduct .. 98-02 0.4
 with 2 fenders off deduct .. 98-02 0.8

R&I OPERATIONS

R&I grille Assy .. 98-02 0.3

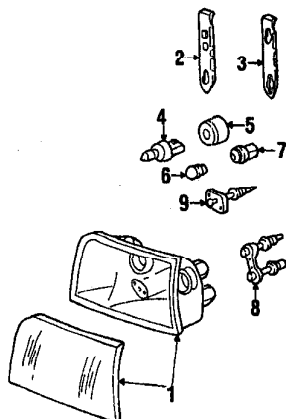
PARTS AND R&R OPERATIONS

FRONT PANEL

1 Front panel .. (p1.7) .. 98-02	200.90#	2.6	F8AZ190AA
2 bolt .. 98-02	D		N626677S36
3 retainer .. 98-02	1.21		N805889S100
4 Grille .. 98	92.00†	0.4	XW7Z8200BB
w/o police package .. 99-02	92.00†	0.4	XW7Z8200BB
w/police package .. 99-02	156.05†	0.4	XW7Z8200AA
5 nut .. 98-02	.60		N621906S361
6 Emblem .. 08-02	5.80	0.1	F8CZ8A223AA

- # LABOR: Time is after bumper cover is removed. Includes R&I grille, R&I/R&R headlamps and Loosen RT & LT fenders to remove front panel.
- ¶ LABOR: Time includes R&I/R&R emblem.

FRONT LAMPS



JA98015

ADD IF REQUIRED

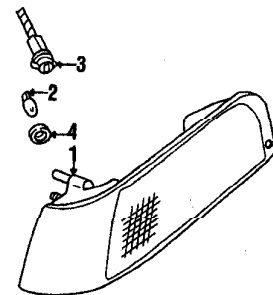
Aim headlamps .. 98-02 0.5

PARTS AND R&R OPERATIONS

HEADLAMP COMPONENTS

1 Headlamp Assy .. 98-02R	123.37‡	0.2=	YW7Z13008AA
98-02L	123.37‡	0.2=	YW7Z13008AB
Bracket			
inner .. 98-02	5.72		F8AZ13N020AB
outer .. 98-02	5.72		F8AZ13N020AA
4 Bulb & socket .. 98-02B	10.47¶	0.2	FATZ13N021B
5 retainer .. 98-02	4.53		F4DZ13N019A
6 Bulb parking lamp .. 98-02B	4.31¶	0.2	YR3Z13468AD
7 Socket & wire Adjust screw			
horizontal .. 98-00	7.58#		F8AZ13032AA
01-02	#		SEE FOOTNOTE
vertical .. 98-00	7.75#		F8AZ13032BA
01-02	#		SEE FOOTNOTE

- # PARTS: Part included with headlamp assembly.
- ¶ PARTS: Part included with headlamp assembly.
- LABOR: Time is after sight shield is removed. Time included with headlamp R&I/R&R. Time is for one or both bulbs.
- ‡ LABOR: Time is after sight shield is removed, included with front panel R&I/R&R.



JA98020

SIDE MARKER LAMPS

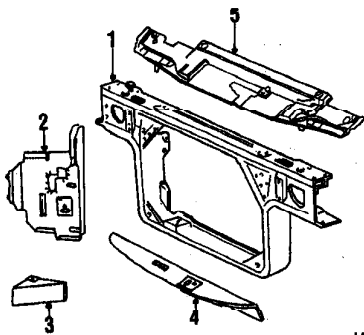
1 Side marker lamp .. 98-02R	65.52¶	0.3=	XW7Z15A201AB
98-02L	65.52¶	0.3=	XW7Z15A201BB
2 Bulb .. 98-02B	1.94#	0.3	E3GY13468B
3 Harness .. 98-02B	24.33		F8AZ15A494AA
4 gasket .. 98-02B	7.84		F3AZ14A297A

- # LABOR: Time is after sight shield is removed. Time included with side marker lamp R&I/R&R.
- ¶ LABOR: Time is after sight shield is removed, included with front bumper R&I/R&R or overhaul.

1998-02 CROWN VICTORIA

CROWN VICTORIA
REAR WHEEL DRIVE DR2 JA98

COOLING



JA98025

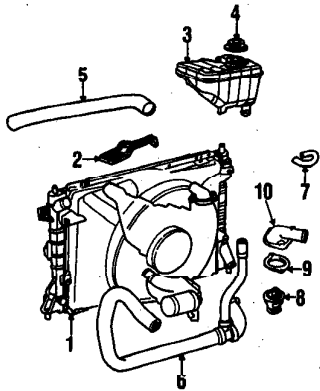
ADD IF REQUIRED

R&R radiator support		
aim headlamps	98-02	0.5
evacuate & recharge refrigerant	98-02	m 1.4
recovery	98-02	m 0.4

PARTS AND R&R OPERATIONS RADIATOR SUPPORT

1 Radiator support (p1.2)	98-02	189.80#	4.5	F8AZ16138AA
2 Side air baffle	98-02R	9.85	0.1	F8AZB310AA
	98-02L	9.85	0.1	F8AZB311AA
3 Upper seal	98-02	3.03		F0AZ2006AAA
4 Air deflector	98-02	9.47	0.3	YW7Z8327AA
5 Sight shield				
w/o NGV	98-99	39.05#	0.1	F8AZB291AA
	00-02	18.30#	0.1	YW7Z8C291AA
w/NGV	98-99	39.45#	0.1	F8AZB291BA
	00-02	18.30#	0.1	YW7Z8C291BA

* LABOR: Time includes R&R/R&R radiator/fan assembly, battery & tray coolant/washer reservoir, air deflectors, fender brace, hood latch, air bag sensors, AC condenser & D&R front wiring & hood release cable.
PARTS: NGV, Natural Gas Vehicle



JA98030

RADIATOR & COMPONENTS

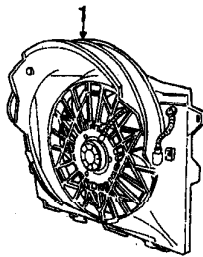
OVERLAP OPERATIONS

R&R radiator hose with radiator off		
upper	98-02	m 0.2
lower	98-02	m 0.3

PARTS AND R&R OPERATIONS

1 Radiator	98-02	327.23	m 1.3	F8VZ8005BA
2 support bracket	98-02R	18.18		F5AZ28A193A
	98-02L	18.18		F5AZ28A193B
3 Reservoir	98-01	59.90	0.5	1W7Z8A080AA
	02	59.90	0.5	2W7Z8A080AA
4 Reservoir cap	98-02	6.80		F6D28100A
5 Upper hose	98-99	33.51	m 0.5	F8AZ2829U4B
	00-01	27.96	m 0.5	XW1Z8260AA
	02			NOT LISTED
6 Lower hose				
w/o oil cooler	98-01	66.00	m 0.5	YW7Z8266AA
	02			NOT LISTED
w/oil cooler				
adaptor side	98-01	50.76	m 0.5	YW7Z8268BA
	02			NOT LISTED
radiator side	98-01	53.31	m 0.5	F8AZ2826CA
	02			NOT LISTED
7 Overflow hose	98-02	15.85		F8AZ80758B

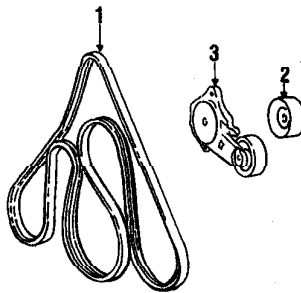
8 Thermostat	98-99	11.72	m 0.6	F8AZ8575BA
	00-02	11.72	m 0.6	YC2Z8575AA
9 gasket	98-02	3.34		F1VY8255A
10 Outletassy				
w/o natural gas	98	30.78		F8AZ8592AA
	99-02	34.84		F8Z28592C
w/natural gas	98	14.36		F1VY8592AA
	99-02	26.04		F4SZ8592A



JA98425

COOLING FAN

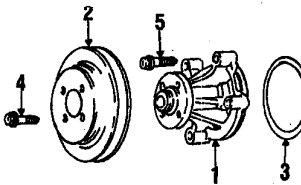
1 Fan assy	98-02	249.07	m 1.0	F8VZ8C607AA
------------	-------	--------	-------	-------------



JA98035

BELTS & PULLEYS

1 Serpentine belt	98-99	37.64	m 0.5	F8AZ8620AA
	00-02	32.18	m 0.5	1W7Z8620AA
2 Idler pulley	98-99	13.32	m 0.6=	F8KZ8678AA
	00-02	17.08	m 0.6	YW7Z8678AA
3 Belt tensioner	98-99	53.82		F8AZ86209AA
	00-02	38.93		XR3Z86209AA



JA98040

WATER PUMP

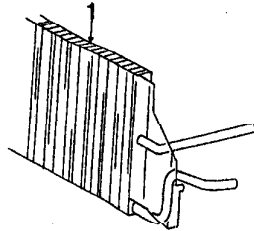
OVERLAP OPERATIONS

R&R wtr pump or pulley with belt off		
deduct	98-02	m 0.2

PARTS AND R&R OPERATIONS

1 Water pump assy	98-02	108.36	m 1.5	YW7Z8601AA
2 Pulley	98-02	12.97#	m 1.0	F3LY8509A
3 Gasket	98-02	2.37		F1VY8507A
4 Mount bolt				
4 pulley	98-02	.95		N806282S2
5 water pump	98-02	1.80		N806177S2

* LABOR: Time also included with water pump R&R.

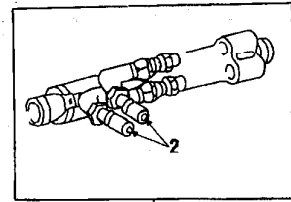


JA98045

POWER STEERING OIL COOLER

1 Oil cooler	98-02	117.40#	m 0.3	YW1Z3F49AA
--------------	-------	---------	-------	------------

* PARTS: Part includes transmission and power steering cooler.



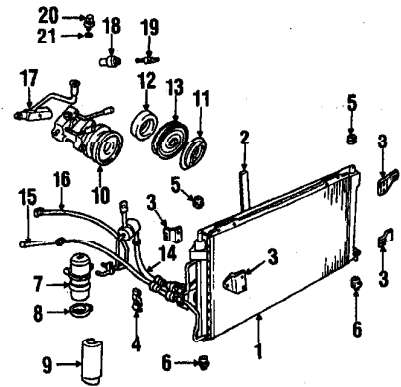
JA98430

ENGINE OIL COOLER

1 Oil cooler	98-02	469.82#	m 1.1	F8PZ8A842AA
2 Hose & tube assy	98-02	63.38		F8AZ8A715AA

* PARTS: Part includes hose assembly.

AIR CONDITIONER & HEATER



JA98050

SPECIAL CAUTION
This model uses R134 refrigerant in the A/C system. Reported capacities are for estimating purposes only. ALWAYS refer to manufacturer service manual for recommended repair procedures and system capacity.

REFRIGERANT CAPACITY

R134	98-02	2.1 LBS
------	-------	---------

ADD IF REQUIRED

With any operation requiring a refrigerant line disconnect, add AC service, i.e. evacuate, recharge and test for leaks. Add for refrigerant cost.

AC Service

evacuate & recharge refrigerant	98-02	m 1.4
recovery	98-02	m 0.4

OVERLAP OPERATIONS

R&R both AC hoses with condenser off	98-02	@m U.7
R&R compressor with belt off	98-02	m 0.2

PARTS AND R&R OPERATIONS

CONDENSER, COMPRESSOR & LINES

1 Condenser assy	98-02	242.48#	m 2.0	XW1Z19712AA
2 seal	98-02R	6.52		F8VZ19E572BA
	98-02L	6.45		F8VZ19E572CA
3 bracket	98-02			SEE FOOTNOTE
4 clamp	98-02			SEE FOOTNOTE
5 Upper insulator	98-02			SEE FOOTNOTE
6 Lower insulator	98-02	4.30		F0VY19C588A
7 Dehydrator	98	90.80	m 0.5	F8AZ19C366AA
	99-02	126.64	m 0.5	YW1Z19C366AA
8 bracket				
to housing assembly	98-02	5.63		1W1Z19D606AA
around dehydrator	98-02	5.18		F5AZ19E607AA
9 Insulation	98-02	22.27		F4VY19C825A
10 Compressor	98-01	330.44	m 1.2	F70Z19703AA
	02		m 1.2	NOT LISTED
11 Clutch	98-01	32.22#	m 1.3	F5VY19D786A
	02		m 1.3	NOT LISTED
12 Coil	98-01	42.96#	m 1.3	F5VY19D798A
	02		m 1.3	NOT LISTED
13 Pulley	98-01	104.80#	m 1.3	F5VY19D784A
	02		m 1.3	NOT LISTED
14 Hose				
comp to condenser	98-00	181.14	m 0.4	F8VZ19972AA
	01-02	175.66	m 0.4	1W1Z19972AA
15 cond to dehydrator	98-01	24.50	m 0.5	F8VZ19835AA
	02	24.50	m 0.5	1W1Z19835AA
16 comp to dehydrator	98-99	97.48	m 0.5	F8VZ19867BA
	00-02	99.72	m 0.5	YW1Z19867AA

DR2 JA98

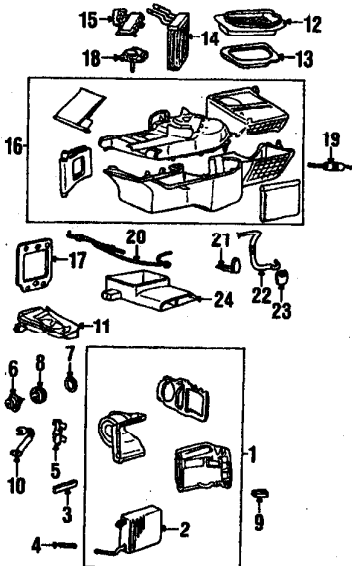
**CROWN VICTORIA
REAR WHEEL DRIVE**

1998-02 CROWN VICTORIA

dimensions. All dimensions provided are in millimeters.

17 Hose & tube assy.	98-02	165.30	FVZ19D73AAA
18 Pressure switch	98-00	27.92	FSCZ19D69AAA
	01-02	13.70	YF1Z19D69AAA
19 Core assy			
charging valve	98-02	3.62	F4XY19D701A
20 Switch assy			
clutch cycling	98	14.70†	F5VY19E561A
	99-02	12.44†	F6RZ19E561AA
21 o-ring			
	98	.77	N807093S
	99-02	.79	W701686S300

LABOR: Time is for clutch, coil and pulley.
 † LABOR: Time includes R&R/R&I radiator.
 ‡ PARTS: Part serviced with Condenser assy.
 † PARTS: When replacing the clutch cycling switch assembly also replace o-ring.
 @ LABOR: Time is for both hoses/tubes attached to condenser.



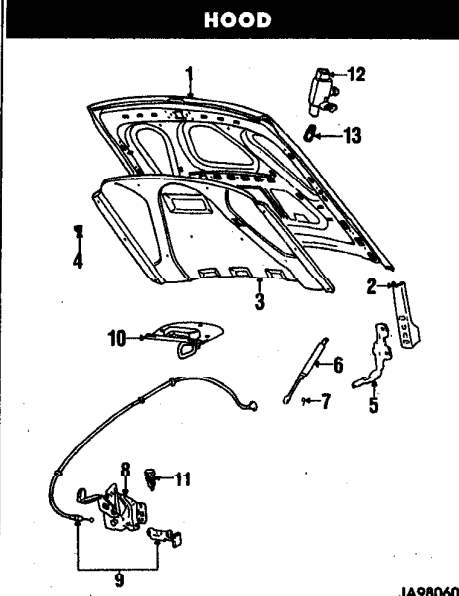
JA98055

EVAPORATOR & HEATER COMPONENTS

1 Housing assy				
manual AC	98-02	263.32	m 2.6	YW7Z19B50CA
auto temp control	98-02	275.87	m 2.6	YW7Z19B50DA
2 Evaporator core	98-02			SEE FOOTNOTE
3 seal	98-02	6.77#		F4VY19A672A
4 Orifice	98-02	3.04		F5DZ19D990AB
5 Support bracket				
evaporator tube	98-02	5.50		F8AZ19A579AA
6 Blower motor				
to 2/1/98	98	102.79	m 0.7	YW7Z19B05CA
from 2/1/98	98-02	102.79	m 0.7	YW7Z19B05CA
7 seal	08-02	3.88		F7RZ18N260AA
8 Fan	98-99	21.10		YL7Z18504AA
	00-02	17.50		XF3Z18504AA
9 Control assy				
blower motor speed				
w/auto temp control	98-02	104.71		F8VZ19E624BC
10 tube assy				
housing to blower	98-02	11.82		D9AZ19A786A
11 Air inlet screen	98-02	10.33		F2AZ19C322BA
12 Inlet duct	98-99	16.58		YW1Z19A618AA
13 seal	98-99	6.71		F8VZ19E715CA
14 Heater core				
	98-01	60.30	m 5.0	F8VZ18476AA
	01-02	64.29	m 5.0	YW7Z18476AA
15 Cover	98-02	10.33		F6AZ18E300AA
16 Air chamber assy	98-00	146.32		F8AZ18471BA
	01-02	133.33		1W3Z18471CA
	98-02	21.33		F8VZ18570AA
17 gasket				
18 Actuator assy				
manual AC	98-02	52.58		1W7Z19E616AA
auto temp control	98-99	52.58		XW7Z19C616BA
	00-02	52.58		XW7Z19E616BA
19 Vacuum motor	98-99	8.86		F8VZ18A318AB
	00-02	12.64		F5VY18A318A
20 Vacuum harness				
manual AC	98	14.55		F8VZ19C827AA
	99-01	6.42		F5AZ19C827A
	02			1W7Z19C827BA
	99-01	29.53		F5VY19C827A
	02			1W7Z19C827AA
21 shaft				
temperature control	98-99	D5.95		F8VZ19D846AA
22 Hose & tube assy				
temp ctrl sensor	98-00	73.28		F6VZ19D888AA
	01-02	9.23		YW7Z19D888AA
23 seal	98-99	8.48		F8VZ19E739BA
	00-02			1W719E739AA

24 Lower duct	98-00	27.12	F5VY18C433A
	01-02	20.98	1W3Z18C433AA

PARTS: Order by size.
 † PARTS: Part serviced with the Housing assy.



JA98060

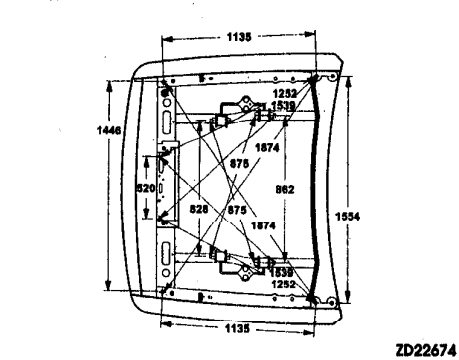
REFINISHING NOTES
 Refn hood underside..... 98-02 p.18
 R&I hood assy..... 98-02 0.6

**PARTS AND R&R OPERATIONS
HOOD & COMPONENTS**

1 Hood	(p.5) 98-02	484.10	1.5	F8AZ16612AA
2 Reinforcement				
hinge	98-02R	33.95†		F8AZ16A601AA
	98-02L	33.95†		F8AZ16A602AA
3 Insulator	98-00	66.75	0.3=	F8AZ16738AA
	01-02	66.75	0.3	1W7Z16738AA
4 Retainer	98-02	.31		988909S
5 Rear seal	98-02	26.30		F2AZ16740A
6 Hinge	(p.3) 98-02R	16.20#	0.4	F8AZ16796AA
	(p.3) 98-02L	16.20#	0.4	F8AZ16797AA
hardware kit	98-02	D32.32		F2AZ16B730A
7 Lift cylinder	98-02B	21.07†	0.2	F8AZ16C826AA
8 Stud	98-02B	7.27		E1FZ8145588A
9 Lock	98	22.37	0.3=	XW7Z16700AA
	99-02	22.37	0.3	XW7Z16700AA
10 Release cable	98-02	31.20	1.0	F8VZ16916AA
hardware kit	98-02	19.65		F2AZ16907A
11 Bazel	08-02	5.77		F6AZ16909AA
12 Striker	98-02	15.78	0.2	F8AZ16K689AA
13 Bumper	98-02B	6.43	0.1	F8AZ16758BA
14 Under hood lamp	98-02	10.15	0.2	YW1Z15702BA
15 Bulb	98-02	1.45		DBZ13466A

LABOR: After hood is removed, includes R&R/R&I lift cylinder.
 † LABOR: included with R&R hinges.

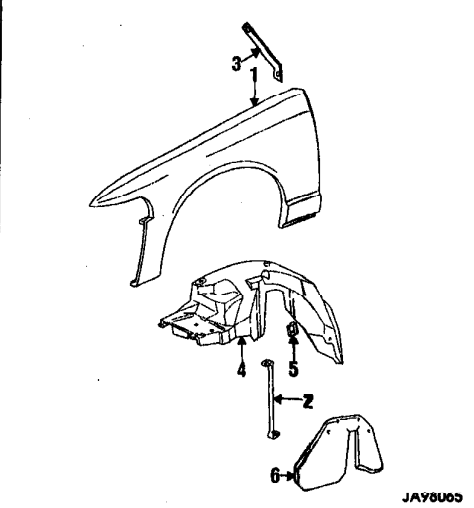
UNDERHOOD DIAGRAM



**UNDERHOOD DIAGRAM
1998-01 CROWN VICTORIA**

Refer to MOTOR "COLLISION REPAIR DATA" manual for complete vehicle

FENDER



JA98060

REFINISHING NOTES
 Add for stone guard if required. See Guide to Estimating.
 Refn fender edges..... 98-02 p.5
 R&I OPERATIONS
 R&I fender assy..... 98-02R # 2.5
 98-02L # 2.2

**PARTS AND R&R OPERATIONS
FENDER & COMPONENTS**

1 Fender	(p.2.8) 98-02R	245.00†	3.0	F8AZ16005AA
	(p.2.8) 98-02L	245.00#	2.6	F8AZ16006AA
2 brace	98-02R	18.37	0.1	F5AZ16A023A
	98-02L	20.55	0.1	F5AZ16A024A
3 bracket				
to hinge pillar	98-02R	46.17	0.1	F8VZ16E128AA
	98-02L	46.17	0.1	F8VZ16E129AA
4 Wheelhouse	98-02R	32.63†	1.0	F8AZ16054AA
	98-02L	32.63†	1.0	1W7Z16055AA
5 bracket				
to frame	98-02B	D3.92		D9AZ16A020A
6 Splash shield	98-02B	5.03	0.2	F8AZ16240AA

LABOR: Time includes R&R/R&I rocker molding and hood hinge. Time is after front cover is removed.

† LABOR: Time includes R&R/R&I splash shield and D&R of bolted on parts. Time is after fender is removed.

‡ LABOR: Time includes R&R/R&I rocker molding, hood hinge, battery and mount bracket, after front cover is removed.

† LABOR: Time includes R&R/R&I splash shield and D&R of bolted on parts. Time is after fender, battery & mount bracket is removed.



JA98435

EXTERIOR TRIM

Body side mold				
3 1/4" adhesive type				
prairie tan	98 R	29.52†	0.2=	F8AZ16036AAA
	98 L	29.52†	0.2	F8AZ16037AAA
torearord red	98-02R	29.52†	0.2	F8AZ16038AAC
	98-02L	29.52†	0.2	F8AZ16039AAC
wedgewood blue	98 R	29.52†	0.2	F8AZ16036AAD
	98 L	29.52†	0.2	F8AZ16037AAD
denim blue	98 R	29.52†	0.2	F8AZ16036AAE
	98 L	29.52†	0.2	F8AZ16037AAE
dark green	98-99R	29.52†	0.2	F8AZ16036AAF
	98-99L	29.52†	0.2	F8AZ16037AAF
spruce green	98-02R	29.52†	0.2	F8AZ16036AAG
	98-02L	29.52†	0.2	F8AZ16037AAG
black	98-02R	29.52†	0.2	F8AZ16036AAH
	98-02L	29.52†	0.2	F8AZ16037AAH
white	98-02R	29.52†	0.2	F8AZ16036AAJ
	98-02L	29.52†	0.2	F8AZ16037AAJ

CONTINUED

1998-02 CROWN VICTORIA

CROWN VICTORIA
REAR WHEEL DRIVE DR2 JA98

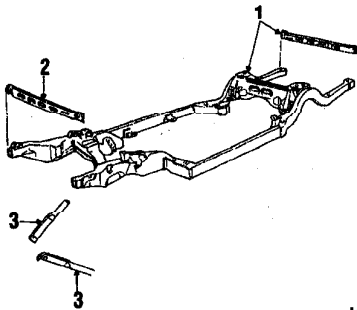
FINDER (CONT)

silver frost	98-02R	29.52	0.2	F8AZ16036AAK
	98-02L	29.52	0.2	F8AZ16037AAK
medium gray	98-02R	29.52	0.2	F8AZ16036AAL
	98-02L	29.52	0.2	F8AZ16037AAL
harvest gold	98-02R	20.27	0.2	XW7Z16036AAA
	99-02L	20.27	0.2	XW7Z16037AAA
light blue	98-02R	20.27	0.2	XW7Z16036AAB
	99-02L	20.27	0.2	XW7Z16037AAB
deep wedgewood	98-02R	20.27	0.2	XW7Z16036AAC
	99-02L	20.27	0.2	XW7Z16037AAC
tropic green	02 R	19.33	0.2	YW7Z16036AAA
	02 L	19.98	0.2	YW7Z16037AAA
arizona beige	02 R	19.33	0.2	YW7Z16036AAB
	02 L	19.98	0.2	YW7Z16037AAB
chestnut	02 R	19.33	0.2	YW7Z16036AAC
	02 L	19.98	0.2	YW7Z16037AAC

Nameplate
"Natural Gas"..... 98-02B 25.13 0.2 F8AZ16720AA

1 PARTS: Order by color.

FRAME



JA98070

PARTS AND R&R OPERATIONS

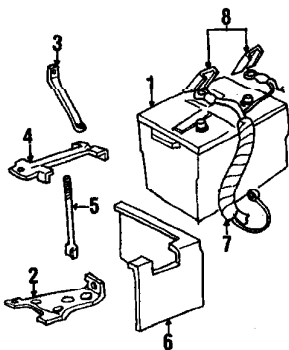
FRAME & COMPONENTS

1 Frame Assy				
w/o NGV	98	1998.55	26.0	XW7Z5005AA
w/ police & taxi	99-01	1998.55	26.0	XW7Z5005AA
	02	1802.82	26.0	2W7Z5005AA
w/ police & taxi	99-01	2564.30	26.0	XW7Z5005BA
	02		26.0	2W7Z5005BA
w/NGV	98	2387.17	26.0	F8AZ5005CA
	00-01	2564.30	26.0	XW7Z5005CA
	02		26.0	2W7Z5005CA
2 Crossmember	98-01	33.70	1.7	F8AZ5019AA
	02		1.7	NOT LISTED
3 Stabilizer	98-02B	18.32		EOLY50024A
Trans c'member	98-02	#		SEE FOOTNOTE

4 PARTS: Part listed in ENGINE group, ENGINE & TRANS MOUNTING subgroup.

1 PARTS: NGV, Natural Gas Vehicle

ELECTRICAL



JA98075

PARTS AND R&R OPERATIONS

BATTERY

1 Battery				
84 month				
540 amp	98-01	79.95	m 0.3	BXT58
	02	59.36	m 0.3	BX58C
750 amp	98-02	79.95	m 0.3	BX165730
2 Mount bracket	98-02	8.25		F7AZ10A705AA
3 reinforcement				
brace to fender	98-02	6.68	0.1	F5AZ16B168A
4 Hold down	98-02	10.44	0.2	F2AZ10718A
5 bolt	98-02	1.84		FOVY10766B

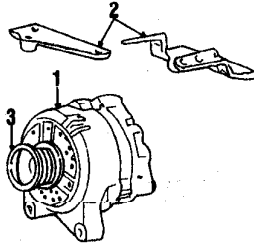
6 Heat shield				
w/o police package	98-02	30.83		F8JZ10A682AA
w/ police package	98-02	13.02		F2AZ10A682A
7 Cable Assy	98-01	46.02	# m 0.8-	F8AZ14300AA
	02		# m 0.8	NOT LISTED

8 Cap				
positive	98-02	1.43		XF1Z14277AA
negative	98-02	3.85		F75Z14277BA

1 PARTS: Cable assembly includes both positive & negative cables.

1 PARTS: Part numbers & prices are for estimating purposes only. Order by description.

1 LABOR: Time is after battery is removed.

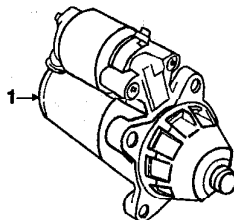


JA98080

ALTERNATOR

1 Alternator				
w/o police, NGV	98-99	234.48	m 1.0	F8AZ10346ABRM
	00-02	217.28	m 1.0	XW7Z10346AARM
w/NGV	98-02	234.48	m 1.0	F8AZ10346ABRM
w/ police package	98-02	234.48	m 1.0	F8AZ10346ABRM
2 mount bracket	98-99	11.11		F8AZ101E3AE
w/o police package	00-01	21.13		1W7Z101E3AB
	02	15.56		1W7Z101E3CA
w/ police package	00-01	15.56		1W7Z101E3BA
	02	15.56		1W7Z101E3DA
3 Pulley				
w/o police, NGV	98	10.60	m 0.3	F8ZZ10344A2A
	99-02	22.31	m 0.3	F5AZ10344A
w/NGV	98-02	17.71	m 0.3	F5OY10344F
w/ police package	98-02	22.31	m 0.3	F5AZ10344A

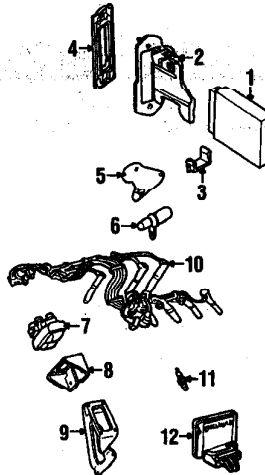
1 PARTS: NGV, Natural Gas Vehicle



JA98440

STARTER

1 Starter	98-02B	190.13	m 0.9	F7UZ11002AARM
------------------	--------	--------	-------	---------------



JA98445

IGNITION SYSTEM

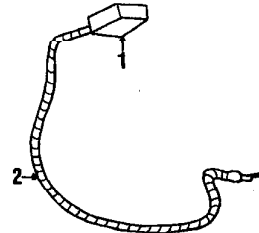
1 PCM				
Federal				
w/o oil cooler	98-99	288.95	m 1.0	F8PZ12A650BCA
	00	288.95	m 1.0	YW7Z12A650BD

	01	288.95	m 1.0	1W7Z12A650CF	
	02	280.00	m 1.0	1W7Z12A650DC	
w/oil cooler	98	288.95	m 1.0	F8PZ12A650BEA	
	99	280.00	m 1.0	XW7Z12A650CE	
	00	280.00	m 1.0	YW7Z12A650EE	
	01	288.98	m 1.0	1W7Z12A650FE	
	02	280.00	m 1.0	1W7Z12A650FC	
California	98-99	288.95	m 1.0	F8PZ12A650BFA	
	00	280.00	m 1.0	YW7Z12A650HD	
NGV	98-99	280.00	m 1.0	F8AZ12A650CA	
	00	280.00	m 1.0	XW7Z12A650LA	
2 mount bracket	98-00	18.35		F5AZ12A650AA	
	01-02	22.43		1W7Z12A650AA	
3 clip	98-02	1.57		E8FZ12B518A	
4 seal	98-02	3.53		F5AZ12B523AC	
5 Camshaft sensor	98-02	12.91	m 0.5-	1W7Z88288AA	
6 Crankshaft sensor	98-02	26.40	m 0.8	1W7Z8C3154B	
7 Ignition coil	98-02	45.64	m 0.5	1L2Z12029AA	
8 mount bracket	98-02R			NOT USED	
	98-02L			NOT USED	
9	98-99	133.46		F8PZ12Z29LA	
10 Plug wire set					
w/o NGV	98-00	5.35		AWSF32P	
	01-02	5.65		AWSF32PM	
w/NGV	98-02	8.32		AGSF22FM1	
12 Ignition module	98-02	317.56		F5S712K072AA	
Ignition switch	98-02			SEE FOOTNOTE	
Cyl & keys	98-02			SEE FOOTNOTE	

1 PARTS: NGV, Natural Gas Vehicle

1 PARTS: Part listed in STEERING COLUMN group, SHROUD SWITCHES & LEVERS subgroup.

1 PARTS: Parts listed are for estimating purpose only. Contact your local dealership for actual parts and prices. NGV, Natural Gas Vehicle

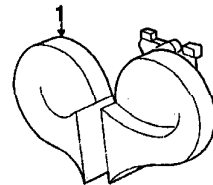


JA98530

ANTENNA BACK GLASS

1 Antenna Assy	98-02	#	SEE FOOTNOTE
Control module	98-99	67.03	F7AZ18K811BA
	00	45.00	YW3Z18K811AC
	01-02	45.00	YW3Z18K811AC
2 Cable	98-99	41.17	F8AZ18B12AB
	00-02	20.00	YW3Z18B12AB

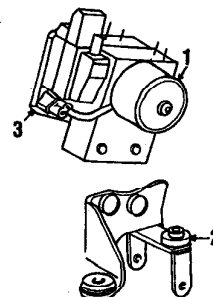
1 PARTS: Part serviced with back glass.



JA08455

HORN

1 Horn				
high & low note	98-00	67.57	m 0.4	F8AZ13832AA
	01-02	49.47	m 0.4	1W7Z13832AA

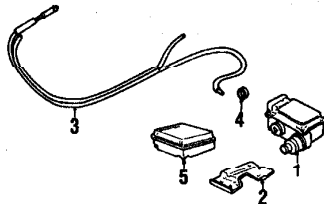


JA98085

ABS COMPONENTS

1 ABS pump assy			
w/o traction control	98-00	583.02	m 1.2 F8VZC286AA
	01-02	1283.33	m 1.2 1W7ZC286AA
w/traction control	98-00	750.00	m 1.2 F8AZC286AB
	01-02	574.97	m 1.2 1W1ZC286AA
2 mount bracket			
	98-00	67.28	F8AZC304AA
	01-02	25.85	1W1ZC304AA
3 Control module			
w/o traction control	98-00	649.82	m 0.5 F8VZC219AA
	01-02	374.42	m 0.5 1W7ZC219BA
w/traction control	98-00	263.67	m 0.5 XW7ZC219AA
	01-02	374.42	m 0.5 1W7ZC219AA
Pressure switch			
	98-02	4.92	m 1.5 F8AZC355CA
Brake tube			
w/o traction control	98-00	43.88	F8AZC296AA
	01-02	86.13	1W1ZC296BA
w/o traction control	98-00		F8AZC296BA
	01-02	86.13	1W1ZC296AA
ABS sensor			
front wheel	98-02	#	SEE FOOTNOTE
rear wheel	98-02	#	SEE FOOTNOTE

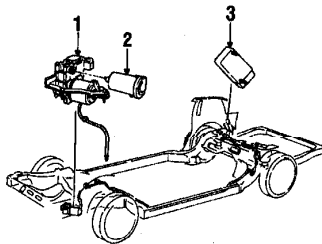
* **PARTS:** Part listed in FRONT SUSPENSION group, BRAKE COMPONENTS subgroup.
 † **PARTS:** Part listed in REAR SUSPENSION group, BRAKE COMPONENTS subgroup.
 ‡ **PARTS:** Part included with ABS pump assembly.



JA98090

CRUISE CONTROL SYSTEM

1 Cruise servo			
	98-02	154.83	m 0.7 YW77AC795AA
2 bracket			
	98-02	16.48	F6VY9C736A
3 Actuator assy			
w/o NGV	98	21.75	m 0.3 F8VZ9A825AA
	99-00	17.65	m 0.3 XW7Z9A825AA
w/NGV	98-00	23.52	m 0.3 F8AZ9A825AA
oil	01-02	19.05	m 0.3 1W1Z9A825AA
4 gasket			
	98	1.98	F5VZ9A896AA
5 Vacuum reservoir			
	98-02	35.90	F1VY9C799A

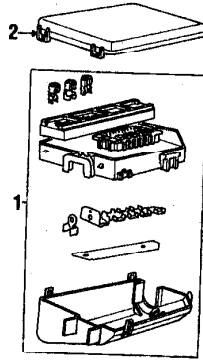


JA98095

RIDE CONTROL COMPONENTS

1 Compressor			
	98-02	285.53	m 0.6 F8AZ5319AA
mount kit			
	98-02	33.37	F8AZ5Z05AA
2 Dehydrator			
	98-02	96.70	0.7 F8AZ5G46AA
3 Control module			
	98-02	158.77	m 0.3 F8AZ5A919AA
Vacuum container			
	98-02	3.93	F4AZ5C195A
Air spring			
	98-02	#	SEE FOOTNOTE
Height sensor			
	98-02	#	SEE FOOTNOTE

* **PARTS:** Part listed in the REAR SUSPENSION group, SUSPENSION COMPONENTS subgroup.

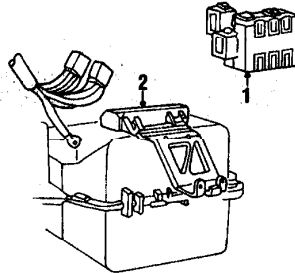


JA98555

ELECTRICAL COMPONENTS

1 Fuse box			
	98-02	17.28	F1AZ14A088A
2 Fuse box cover			
	98-02	8.22	F1AZ14A003A
3 Relay			
AC cutout	98-01	4.64	# 0.1 FOAZ14N089A
	02	#	0.1 NOT LISTED
air suspension motor	98-02	4.64	# 0.1 FOAZ14N089A
battery saver	98-02	7.59	# 0.1 FOAZ14N089B
cooling fan	98	15.17	# 0.1 F8DZ14N089AA
etc power	98-02	4.64	# 0.1 FOAZ14N089A
fuel pump	98-02	4.64	# 0.1 FOAZ14N089A
heated backlight	98-02	4.64	# 0.1 FOAZ14N089A
horn	98-02	4.64	# 0.1 FOAZ14N089A
starter	98-02	4.64	# 0.1 FOAZ14N089A
trailer tow	98-02	4.64	# 0.1 FOAZ14N089A
ABS	98-02	16.67	# 0.1 F1DZC013A

* **PARTS:** Order by application.



JA98540

ELECTRICAL COMPONENTS

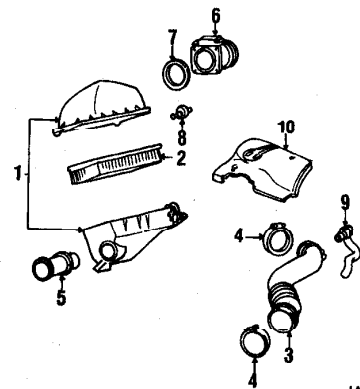
POWER STEERING VARIABLE ASSIST			
1 Control assy			
w/o rear air susp	98-02	108.60	F7AZ3F712AA
w/rear air susp	98-02	158.77	F8AZ5A919AA
2 bracket			
	98-02	6.62	F2AZ14B058BA

ENGINE

R&I OPERATIONS

R&i engine assy	98-02	m 7.0
-----------------	-------	-------

PARTS AND R&R OPERATIONS

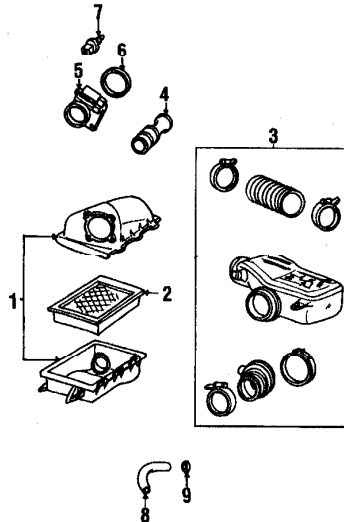


JA98100

AIR INLET GAS

1 Air cleaner assy			
	98-99	255.55	m 0.5 F6AZ9600AA
	00	195.32	m 0.5 YW7Z9600AA
	01-02	155.02	m 0.5 1W7Z9600AA
2 Filter element			
	98-00	10.67	m 0.3 E5T29601B
	01-02	m 0.3	F8AZ9601AA
3 Outlet tube			
	98-02	35.75	YW7Z9B659AA
4 clamp			
	98-02	↑	SEE FOOTNOTE
5 Air inlet			
	98-02	13.57	m 0.3 F5AZ9A624AA
6 Air mass sensor			
	98-00	127.53	m 0.9 F6Z12B579AARM
	00-02	137.33	m 0.9 YWAZ19R79AARM
7 gasket			
	98-02	7.56	F1AZ9E931A
8 Air temp sensor			
	98-02	20.44	m 0.9 F5AZ12A697A
9 Hose			
	98-02	6.78	F8VZ6853AA
10 Upper cover			
	98-02	↑	SEE FOOTNOTE

* **PARTS:** Part listed in ENGINE APPEARANCE COVER subgroup.
 † **PARTS:** Part included with Outlet tube.



JA98105

AIR INLET

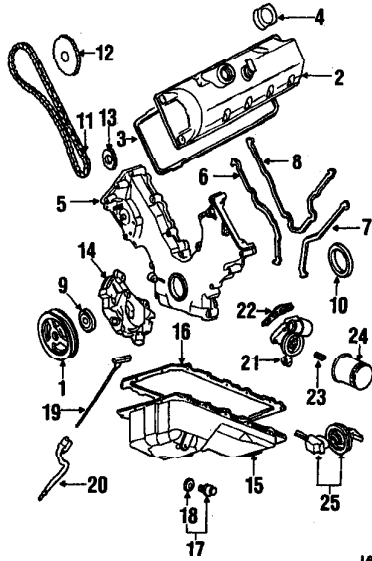
NATURAL GAS

1 Air cleaner assy			
	98-99	255.55	m 0.5 F6AZ9600AA
	00	195.32	m 0.5 YW7Z9600AA
	01-02	155.02	m 0.5 1W7Z9600AA
2 Filter element			
	98-00	10.67	m 0.3 E5T29601B
	01-02	m 0.3	F8AZ9601AA
3 Outlet tube			
	98-02	105.47	F8AZ9B659AC
4 Air inlet			
	98-02	13.57	m 0.3 F5AZ9A624AA
5 Air mass sensor			
	98-02	127.53	m 0.9 F6Z12B579AARM
6 gasket			
	98-02	7.56	F1AZ9E931A
7 Air temp sensor			
	98-02	20.44	m 0.9 F5AZ12A697A
8 Hose			
	98-02	6.78	F8VZ6853AA
9 clamp			
	98-02	1.58	B7AZ8267C

CONTINUED

1998-02 CROWN VICTORIA

CROWN VICTORIA
REAR WHEEL DRIVE DR2 JA98

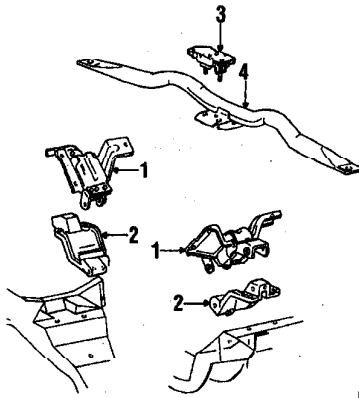


JA98110

ENGINE (CONT)

ENGINE PARTS					
1	Vibration damper	98-00	84.97	m 1.2	F3A7831RA
		01-02	52.03	m 1.2	1W7Z6312AA
2	Valve cover	98-02R	114.25	m 1.4	F6AZ682JA
		98-02L	123.98	m 2.2	F6AZ682HA
3	gasket	98-02R	9.17@		F6AZ684AA
		98-02L	9.17@		F6AZ684BA
4	Filler cap	98-00	6.76@		F3A26768B
		01-02	8.88@		1L3Z6768AA
5	Timing cover	98-99	217.98†	m 3.6	F8Z26019CA
		00-02	88.92†	m 3.6	XR3Z6019BA
	gasket				
6	right	98-02	4.62†		F1AZ6820A
7	left	98-02	4.62†		F1AZ6820C
8	center	98-02	5.52†		F6AZ6820BB
	Crankshaft seal				
9	front	98-02	7.54		F5AZ6700A
10	rear	98-02	11.80		F4AZ20701A
11	Timing chain	98-02B	41.97		F3LY6268A
12	Camshaft gear	98-02R	15.35		F8AZ2626AA
		98-02L	24.46		F8AZ2626BA
13	Crankshaft gear	98	15.60		F3AZ26306A
		99	23.76		XL3Z6306BA
		00-02	23.76		XL3Z6306AA
14	Oil pump	98-02	54.95		F8AZ2600AA
15	Oil pan	98-02	46.98	m 6.0	XL3Z6675AA
16	gasket	98-02	28.29		F4AZ26710A
17	Drain plug	98-02	3.53		F75Z6730BA
18	gasket	98-02	3.15		F75Z6734AA
19	Dipstick	98-00	7.00		YW7Z6750AA
		01	10.90		1W7Z6750AA
		02	10.57		3W7Z6750EA
20	Tube Assy	98-00	9.50		F7AZ2675AA
		01-02	9.50		1W7Z6754BA
21	Adapter				
	w/o oil cooler	98-02	108.98		F1AZ26881BA
	w/oil cooler	98-02	244.87		F8AZ26881AA
22	gasket				
	w/o oil cooler	98-02	10.09		F6AZ26840AA
	w/oil cooler	98-02	6.92		F6AZ26840BA
23	Insert	98-02	9.73		F1AZ26890A
24	Oil filter	98-02	6.89	m 0.4=	F1AZ26731BD
25	Heating unit				
	engine block	98-02	60.03	m 1.0	F8AZ26008AA

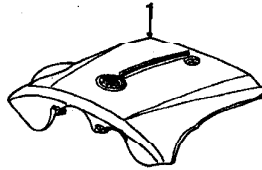
† LABOR: Time includes R&I/R&R water pump.
‡ PARTS: Part also included with front cover assembly.
@ PARTS: Part also included with valve cover.



JA98115

ENGINE & TRANS MOUNTING

1	Front mount	98-02P	35.05	m 4.6	1W7Z638AA
		98-02L	35.05	m 4.8	1W7Z638BA
2	bracket	98-02R	21.95		F8VZ6K060AA
		98-02L	21.95		F8VZ6K061AA
3	Rear mount	98-02	23.00	m 0.8	F8VZ6068AA
4	Trans e'member				
	w/o police package	98-02	91.28	1.5	FOAZ5027A
	w/police package	98-02	161.73	1.5	FOAZ5027B

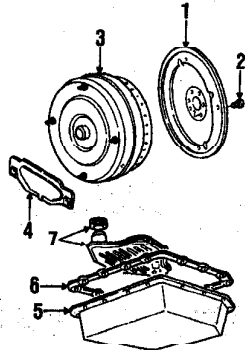


JA98535

ENGINE APPEARANCE COVER

1	Cover Assy	98-02	43.35		F8AZ26496CA
---	------------	-------	-------	--	-------------

TRANSMISSION



JA98120

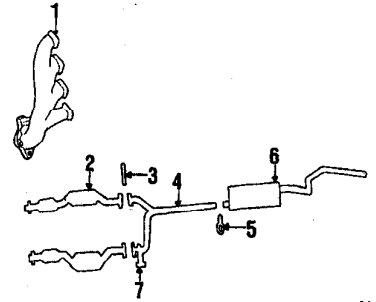
R&I OPERATIONS

R&I transmission	98-02	m 4.5
------------------	-------	-------

PARTS AND R&R OPERATIONS

TRANSMISSION COMPONENTS					
1	Flywheel	98-02	49.83		F6AZ26375BA
2	belt	98-02	1.29		F1AZ26379A
3	Converter	98-02	188.47		F8AZ7902AARM
4	Housing cover	98-02	6.05		F3LY7986A
5	Trans pan	98-02	21.67	m 1.5	F6AZ7A194A
6	gasket	98-02	13.51		F2VY7A191A
7	Filter	98-02	28.96		F6AZ7A098A

EXHAUST SYSTEM



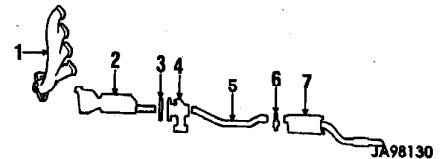
JA98125

OVERLAP OPERATIONS

R&R exhaust system rearward of manifolds		
single exhaust	98-02	m 2.1
dual exhaust	98-02	m 2.8

PARTS AND R&R OPERATIONS

EXHAUST COMPONENTS					
SINGLE EXHAUST					
1	Manifold				
		98-01R	195.33	m 6.0	F5AZ29430A
		98-01L	189.23	m 6.0	F5AZ29431A
		02 R	104.17	m 6.0	3W7Z9430AA
		02 L	87.98	m 6.0	3W7Z9431AA
		98-99R	27.02		XW7Z9448AA
		98-99L	20.00		XW7Z9448BA
		00-02R	27.02		XW7Z9448AA
		00-02L	20.00		XW7Z9448BA
2	Converter				
		98-99R	400.02	m 1.0	F8AZ5E212EA
		98-99L	494.22	m 1.0	F8AZ5E212EB
		00 R	381.47	m 1.0	YW7Z5E212AA
		00 L	494.22	m 1.0	YW7Z5E212BA
		01-02R	700.45	m 1.0	YW7Z5E212CA
		01-02L	700.45	m 1.0	YW7Z5E212CB
	California	98-99R	889.92	m 1.0	F8AZ5E212AA
		98-99L	889.92	m 1.0	F8AZ5E212AB
		00-02R	700.45	m 1.0	YW7Z5E212CA
		00-02L	700.45	m 1.0	YW7Z5E212CB
	CNG	98-02R	1295.62	m 1.0	F6AZ5E212CC
		98-02L	494.22	m 1.0	F6AZ5E212CD
3	gasket	98-02	5.83		E9AZ5E241A
4	Inlet pipe	98-02	184.07	m 0.9	F8AZ5E246AA
5	clamp	98-02	3.30		F23Z5A231A
6	Muffler				
	gas	98-02	330.31	m 1.5	F8AZ5E230DA
	CNG	98-02	330.31	m 1.5	F8AZ5E230DA
		98	35.67		XW7Z5F240AB
		99-02R	25.63		XW7Z5F240AA
		99-02L	35.67		XW7Z5F240AB
7	Damper				



JA98130

EXHAUST COMPONENTS

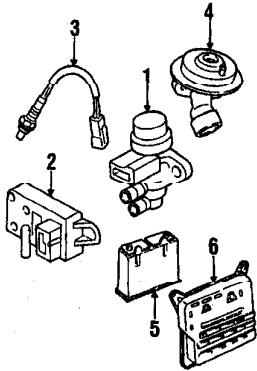
DUAL EXHAUST					
1	Manifold				
		98-01R	195.33	m 6.0	F5AZ29430A
		98-01L	189.23	m 6.0	F5AZ29431A
		02 R	104.17	m 6.0	3W7Z9430AA
		02 L	87.98	m 6.0	3W7Z9431AA
		98-99R	27.02		XW7Z9448AA
		98-99L	20.00		XW7Z9448BA
		00-02R	27.02		XW7Z9448AA
		00-02L	20.00		XW7Z9448BA
2	Converter				
		98-99R	400.02	m 1.0	F8AZ5E212EA
		98-99L	494.22	m 1.0	F8AZ5E212EB
		00-01R	381.47	m 1.0	YW7Z5E212AA
		00-01L	494.22	m 1.0	YW7Z5E212BA
		01-02R	700.45	m 1.0	YW7Z5E212CA
		01-02L	700.45	m 1.0	YW7Z5E212CB
	California	98-99R	889.92	m 1.0	F8AZ5E212AA
		98-99L	889.92	m 1.0	F8AZ5E212AB
		00-02R	700.45	m 1.0	YW7Z5E212CA
		00-02L	700.45	m 1.0	YW7Z5E212CB
	CNG	98-02R	1295.62	m 1.0	F6AZ5E212CC
		98-02L	494.22	m 1.0	F6AZ5E212CD
	police	02 R	888.67	m 1.0	2W7Z5E212AA
		02 L	888.67	m 1.0	2W7Z5E212AB
3	gasket	98-02B	5.83		E9AZ5E241A

DR2 JA98

**CROWN VICTORIA
REAR WHEEL DRIVE**

4	Dumper	98 R	25.63		XW7ZSF240AA	
		98 L	35.67		XW7ZSF240AB	
		99-02R	25.63		XW7ZSF240AA	
5	Inlet pipe	99-02L	35.67		XW7ZSF240AB	
		98-01	214.05	m 0.9	F8AZS246BA	
		02	128.99	m 0.9	1W7ZS246BA	
6	clamp	98-02	3.30		F23Z5A231A	
7	Muffler	w/o police package	98-02R	330.31	m 1.5	F8AZS230BB
			98-02L	330.31	m 1.5	F8AZS230BC
		w/police package	98-02R	330.31	m 1.5	F8AZS230DA
			98-02L	330.31	m 1.5	F8AZS230BA

EMISSION SYSTEM



JA98135

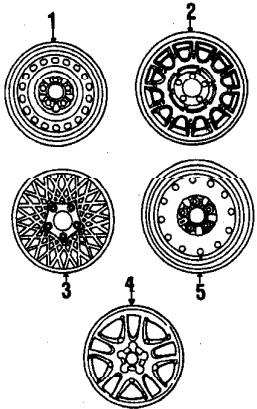
PARTS AND R&R OPERATIONS

EMISSION COMPONENTS

1	EGR vacuum contrl	98-02	20.50	m 0.4	F63Z8J459AA
2	Pressure sensor	98-99	69.29		F77Z8J460AB
		00-02	67.60		YF1Z8J460AC
3	Oxygen sensor	98-99	101.11	m 1.0	F8VZ9F472AA
		00-02	86.93	m 1.0	XC2Z9F472BA
4	EGR valve	98-02	54.47	m 2.0	XL3Z9D475BA
5	Vapor canister	98-02	71.36	m 0.7	F6DZ9D683BA
6	bracket	98-02	56.96		XW1Z9D665BA

1 PARTS: Part numbers & prices are for estimating purposes only. Order by application.

WHEELS



JA98140

R&I OPERATIONS

R&I wheel	98-02	m 0.1
-----------	-------	-------

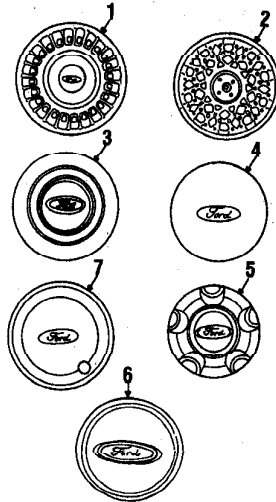
PARTS AND R&R OPERATIONS

WHEELS

1	Wheel, steel	98-02	119.12	m 0.3	F8AZ1007EA
	Wheel, alloy				
2	12 spoke, 15x6.5	98-99	219.75	m 0.3	F8AZ1007AA
3	ribbed, 16x7	98	395.00	m 0.3	F7AZ1007AA
		99-02	275.20	m 0.3	XW7Z1007AA
4	5 spoke 17x7	01-02	420.90	m 0.3	1W7Z1007AA
5	Spare wheel	98-02	103.20		F8AZ1007CA

1 LABOR: Add for balance and weights

1998-02 CROWN VICTORIA



JA98145

COVERS & TRIM

Wheel cover					
1	deluxe	98-02	52.15		1W7Z1130AA
2	cross spoke	98-01	117.52		F8AZ1130BA
Center cap					
3	ribbed wheel	98-99	33.85		F3AZ1130A
4	12 spoke wheel	98-99	35.46		F5BZ1130A
		00-02	20.73		YW7Z1130AA
5	police car	98-02	20.27		F67Z1130DA
6	5 spoke wheel	01-02	17.50		1W7Z1130AB
Ornament					
7	spoke wheel cover	98-02	11.47		F8AZ1141AA
Applique					
	ribbed whl ctr cap	98-02	10.98		F3AZ1137A

FRONT SUSPENSION

ADD IF REQUIRED

Wheel alignment		
align front wheels	98-02	m 1.3
check rear alignment	98-02	m 0.5
Blood brake system		
	98-02	m 0.5

OVERHAUL OPERATIONS

O/H suspension		
one side	98-02B	m 3.5
both sides	98-02	m 6.6

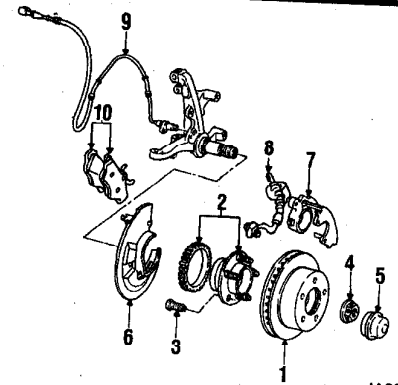
OVERLAP OPERATIONS

R&R upper control arm w/knuckle off		
deduct	98-02	m 0.7
R&R lower control arm w/knuckle off		
deduct	98-02	m 1.2
R&R brake hose w/caliper off		
deduct	98-02	m 0.3
R&R caliper w/knuckle off		
deduct	98-02	m 0.3
R&R shock w/lwr control arm off		
deduct	98-02	m 0.3
R&R stabilizer link w/knuckle off		
deduct	98-02	m 0.2

R&I OPERATIONS

R&I suspension		
one side	98-02B	m 2.5
both sides	98-02	m 4.8

PARTS AND R&R OPERATIONS



JA98155

BRAKE COMPONENTS

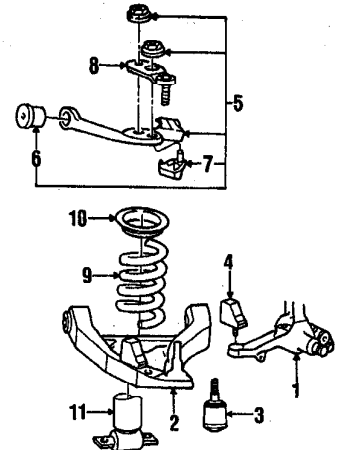
1	Rotor	98-02B	128.10	m 0.4	F8V71125AA
Hub & bearing					
	w/o ABS	98-02B	78.88	m 1.0	F8AZ1104AA
	w/ABS	98-02B	78.88	m 1.0	F8AZ1104AA
3	Wheel stud	98-02	6.88		F8AZ1107AA
4	Retainer nut	98-02	7.28		F3LY3B477A
5	Grease cap	98-02	5.47		F3VY1H135A
6	Splash shield	98-02R	17.17	m 0.3	F5AZ2K004A
		98-02L	18.37	m 0.2	F5AZ2K005A
7	Caliper	98-00R	135.00	m 0.9	F8VZ2B120AA
		98-00L	135.00	m 0.9	F8VZ2B121AA
		01-02R	167.38	m 0.9	1W1Z2B120AA
		01-02L	170.75	m 0.9	1W1Z2B121AA
Brake hose					
	w/o traction control	98-00R	14.93	m 0.6	F8AZ2078AB
		98-00L	19.30	m 0.6	F8AZ2078BA
		01-02R	25.80	m 0.6	1W7Z2078AA
		01-02L	25.80	m 0.6	1W7Z2078CA
	w/traction control	98-00R	14.93	m 0.6	F8AZ2078AB
		98-00L	14.93	m 0.6	F8AZ2078AA
		01-02R	25.80	m 0.6	1W7Z2078AA
		01-02L	25.80	m 0.6	1W7Z2078BA
9	Speed sensor	98-02B	26.35	m 0.5	F8AZ2C20AA
Indicator					
	ABS	98-02	†		SEE FOOTNOTE
10	Brake pads	98-02	73.21		YW7Z2001AA

1 PARTS: Part includes indicator ring for anti-lock brake system. LABOR: Time includes R&V/R&R hub assembly, rotor and splash shield.

2 LABOR: Time is after rotor and hub assembly is removed.

3 PARTS: Part serviced with hub & bearing assembly. LABOR: Time includes R&V/R&R hub assembly, rotor and splash shield.

4 LABOR: Time includes R&V/R&R brake pads.



JA98160

SUSPENSION COMPONENTS

1	Knuckle	98-02R	219.75	m 1.5	F5AZ3105A
		98-02L	219.75	m 1.5	F5AZ3106A
2	Lower ctrl arm	98-02R	183.43	m 1.8	XW1Z3078BA
		98-02L	183.43	m 1.8	XW1Z3079BA
Lower ball joint					
	standard duty	98-02B	53.25		F4ZZ3050A
	heavy duty				
	non-greaseable	98-02B	55.05		F8AZ3050AA
	greaseable	98-02B			2W7Z3050AA

CONTINUED

Please contact our Product Support Group if you require assistance locating, interpreting or using any information contained in the Estimating Data. Toll Free Number: 1-800-426-6867.

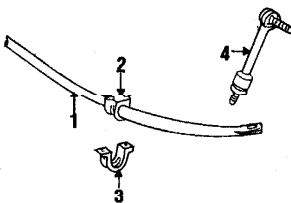
1998-02 CROWN VICTORIA

CROWN VICTORIA
REAR WHEEL DRIVE DR2 JA98

FRONT SUSPENSION (CONT)

4 Lower bumper				
standard duty	98-02	6.44		F1VY3020A
HD	98-02	6.27		F8AZ3020AA
5 Upper cntrl arm				
w/o towing package	98-02R	124.78†	m 1.6	F7AZ3084AA
	98-02L	124.78†	m 1.6	F7AZ3085AA
w/towing package	98-02R	124.78†	m 1.6	F7AZ3084BA
	98-02L	124.78†	m 1.6	F8AZ3085BA
6 bushing	98-02B	†		SEE FOOTNOTE
7 bumper	98-02B	†		SEE FOOTNOTE
8 Upper ball joint	98-02B	91.92†		F7AZ3049AA
9 Spring	98-01B	83.32#	m 1.5	F4AZ310E
	02 B	56.92#	m 1.5	F4AZ310A
10 Spring insulator	98-02B	4.27		C9AZ5415B
11 Shock				
standard	98-02B	29.95	m 0.6	F8AZ18124AA
handling package	98-02B	29.95	m 0.6	F8AZ18124BA
	01-02B	29.95	m 0.6	1W7Z18124DA
police package	98-02B	29.95	m 0.6	F8AZ18124CA

† PARTS: Order by spring code. LABOR: Time includes R&R/R spring, spring insulator, and shock.
 † PARTS: Part is included with upper control arm.
 † LABOR: Time includes R&R/R hub assy, rotor and splash shield.
 † LABOR: Time includes R&R/R upper ball joint.
 † LABOR: Time includes R&R/R lower ball joint and spring.



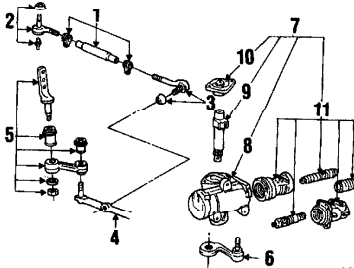
JA98165

STABILIZER BAR & COMPONENTS

1 Stabilizer bar				
w/o oil cooler	98-02	90.08	m 1.0	F8AZ5482AA
gas engine	98-02	90.08	m 1.0	F8AZ5482DA
NGV	98-02	90.08	m 1.0	F8AZ5482DA
w/o oil cooler	98-02	90.08	m 1.0	F8AZ5482DA
w/o rear stabl bar	00-02	54.63	m 1.0	YW7Z5482AA
2 Insulator				
w/o oil cooler				
gas engine	98-02B	5.69		F8AZ5490AA
NGV	98-02B	11.20		F4AZ5493A
w/o oil cooler	98-02B	11.20		F4AZ5493A
w/o rear stabl bar	00-02	3.49		YW7Z5493AA
3 bracket	98-02B	7.47		F1VY5486A
4 Stabilizer link	98-02B	42.80	m 0.4	F8AZ5K484AA

< LABOR: Time includes R&R/R stabilizer bar, bushings, brackets, and stabilizer links.

STEERING GEAR & LINKAGE



JA98170

OVERHAUL OPERATIONS
 O/H gear assy. 98-02 m 4.0

OVERLAP OPERATIONS
 R&R gear assy w/pitman arm off deduct. 98-02 m 0.2

R&R outer tie rod w/knuckle off deduct. 98-02 m 0.2

R&R pitman arm w/center link off deduct. 98-02 m 0.3

R&R idler arm w/center link off deduct. 98-02 m 0.3

R&I OPERATIONS
 R&I gear assy 98-02 m 2.0

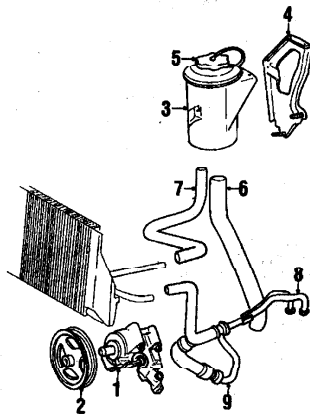
PARTS AND R&R OPERATIONS

STEERING GEAR & LINKAGE

1 Adjust tube	98-99	14.88		F5AZ3310A
	00-02	9.30		F7AZ2310AA
2 Outer tie rod	98-01B	36.98	m 0.7	F5AZ3A130A
	02 B	19.25	m 0.7	2W7Z3A130AA
3 Inner tie rod	98-01B	36.98†	m 1.2	F5AZ3A131A
	02 B	19.25†	m 1.2	2W7Z3A131AA
4 Center link	98-02	99.03	m 1.3	F5AZ3304A
5 Idler arm	98-02	29.58	m 1.0	1W1Z3355AA
6 Pitman arm	98-02	35.13	m 0.6	F8AZ3390AA
7 Gear assy				
w/o handling package	98-02	301.32	m 2.2	F7AZ3504ECRM
w/handling package	98-02	333.33	m 2.2	F7AZ3504FDRM
NGV, fleet & police	99-02	333.33	m 2.2	XW7Z3504ABRM
	98-02	100.00#	m 4.0	E4AZ3548A
8 Housing	98-02	121.02#	m 4.0	F8AZ3575AA
9 Sector shaft	98-02	35.07#		F8AZ3680BA
10 Housing cover	98-02	35.07#		
11 Shaft assy				
w/o handling package	98	416.43#	m 4.0	F7AZ30517EA
	99-02	#	m 4.0	SEE FOOTNOTE
w/handling package	98	416.43#	m 4.0	F7AZ30517EA
	99-02	#	m 4.0	SEE FOOTNOTE
NGV, fleet & police	99-02	371.85#	m 4.0	XW7Z30517AA

† PARTS: Time included with gear assy. LABOR: Time is for overhaul.

† LABOR: Time includes R&R/R inner, outer tie rods and adjust tube.



JA98175

PUMP & HOSES

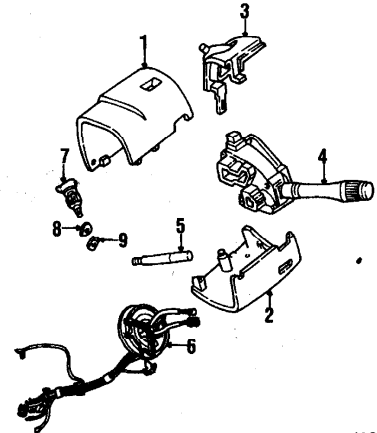
OVERLAP OPERATIONS

R&R p/s pump or pulley with belt off	deduct.	98-02	m 0.2
R&R pressure hose w/gear assy removed	deduct.	98-02	m 0.3
R&R return hose w/gear assy removed	deduct.	98-02	m 0.3
R&R return hose with p/s pump removed	deduct.	98-02	m 0.2

PARTS AND R&R OPERATIONS

1 P/S pump	98-02	214.09	m 1.8	XW7Z3A674ABRM
2 Pulley	98-02	18.75	m 1.3	F8AZ3A733AA
3 Reservoir	98-02	28.28	0.5	F4LY3E764A
4 bracket	98-02	9.13		F8AZ3A00BA
5 Reservoir cap	98-02	11.35		F2Z3A006A
6 Reservoir hose	98-02	17.42	m 0.4	F8AZ3691AA
7 Return hose	98-02	11.25	m 0.4	F8AZ3A713BA
8 Return tube	98-02	15.86	m 0.4	F8AZ3A713AA
9 Pressure hose	98	60.82	m 0.7	F7AZ3A719AB
	99-02	34.05	m 0.7	1W7Z3A719AA

STEERING COLUMN



JA98180

WARNING
 Before repairing any air restraint system, the battery cables must be disconnected and any back-up power supply discharged for the time period stipulated by the manufacturer in order to prevent accidental deployment.
 NOTE: Wiring repairs should only be performed in accordance with vehicle manufacturer specifications.

OVERHAUL OPERATIONS

O/H steering column 98-02 m 4.0

R&I OPERATIONS

R&I steering column 98-02 m 1.5

PARTS AND R&R OPERATIONS

SHROUD, SWITCHES & LEVERS

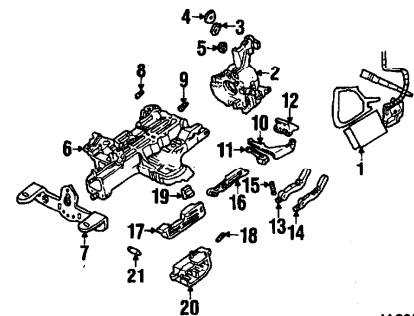
Shroud				
1 upper	98-01	16.92#	0.3	F8AZ3530BA
column shift	02	16.92#	0.3	F8AZ3530BA
floor shift	02	13.68#	0.3	F8OZ3530FA
2 lower	98-02	20.23#	0.3	F2AZ3530AA
3 Opening trim	98-99	7.18†		F8AZ3D677AA
	00-02	6.83†		F8AZ3D677PAA
4 Combo switch	98-02	77.98†	m 1.0	YW3Z13K359AB
5 Tilt lever	98-02	5.18		F39Z3F608A
6 Cockspring	98-02	@		SEE FOOTNOTE
7 Ignition cyl	98-01	53.44	m 0.6	1L3Z11582AA
	02	53.44	m 0.6	1L3Z11582AA
8 retainer	98-02	5.02		F2DZ3C610A
9 Ignition switch	98-02	22.71	m 0.8	F4DZ11572B

† LABOR: Time is for upper and lower shroud.

† PARTS: Order by color.

† LABOR: Time includes R&R/R combo switch and steering wheel.

† PARTS: Part listed in RESTRAINT SYSTEMS group.



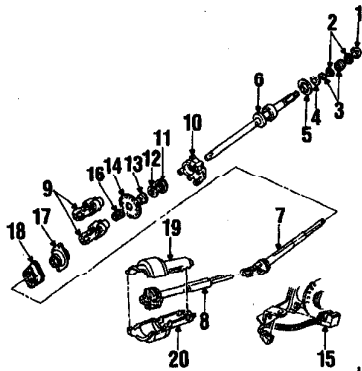
JA98185

HOUSING & COMPONENTS

1 Actuator				
shift interlock	98-01	42.68	m 1.0	F2DZ3Z719A
column shift	02	42.68	m 1.0	F2DZ3Z719A
floor shift	02	38.95	m 1.0	1W3Z3F719AA
2 Column flange	98-02	46.97	m 1.0	F6DZ3511A
3 Bearing	98-02	1.68		F2DZ3E700A
4 retainer	98-02	3.78		F0DZ3C610A
5 Gear	98-02	4.37		F3TZ3E717A
6 Column housing	98-02	80.75	m 2.0	F5AZ3F729A
7 bracket	98-02	8.68		F2DZ3E680A

Please contact our Product Support Group if you require assistance locating, interpreting or using any information contained in the Estimating Data. Toll Free Number: 1-800-426-6867.

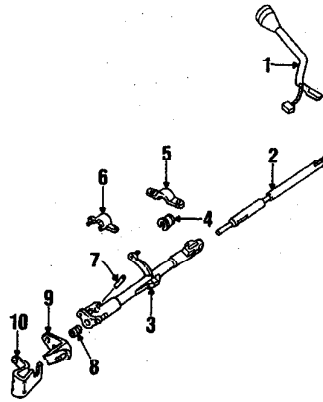
8 Spring			
column shift			
hooked ends	98-02	5.27	F2DZ3D655A
flat ends	98-02	11.07	F0DZ3D655A
floor shift	02		1F1Z3D655AA
9 Bumper			
	98-02	3.11	E9T2D656A
10 Lever			
	98-02	10.23	F0DZ3D544A
11 Spring			
	98-02	6.81	F0DZ3B664A
12 Cam			
	98-02	3.83	F0DZ3E696A
13 Lock lever			
	98-02R	7.72	F2DZ3B661A
	98-02L	5.53	F2DZ3D653A
	98-02	3.25	F2DZ3B768A
14 Actuator			
upper	98-02	9.88	F2DZ3E723A
lower	98-02	7.82	F0DZ3E715A
18 Spring			
	98-02	.76	D8BZ3E696A
19 Pawl			
shaft	98-02	7.56	F0DZ3E691A
shifter	98-02	9.48	F0DZ3E691B
21 pin			
	98-02	4.78	F0DZ3B663A



JA98190

SHAFT & INTERNAL COMPONENTS			
1 Signal cam	98-02	3.83	F0DZ13318A
2 retainer	98-02	5.02	F2DZ3C610A
3 Thrust ring	98-02	3.98†	F3XY3L539A
Bearing			
4 upper			
large	98-02	6.07	F4DZ3517C
small	98-02	5.45	F4DZ3517A
5 lower	98-02	5.45	F4DZ3517B
Mainshaft			
6 upper	98-02	41.07# m 0.5	YW7Z3524AA
7 intermediate	98-02	63.03# m 0.5	YW7Z3B676AA
8 lower	98-02	127.55# m 0.5	F8AZ3B676AA
9 Yoke Assy	98-02	41.18	F7DZ3N725AA
10 Retainer Assy	98-02	17.20	F0DZ3D681A
11 Sleeve			
lower	98-02	2.04	F0DZ3518A
upper	98-02	4.17	F0DZ3518B
12 Bearing	98-02	5.45	F4DZ3517B
13 Thrust ring	98-02	6.56	F3DZ3L339A
14 Height sensor ring	98-02	5.79	F0DZ3C131A
15 Height sensor	98-02	34.80	F6AZ18B015AA
16 Spring	98-02	4.97	F5DZ3C674A
17 Boot	98-02	17.23	F8AZ3C611AA
18 Collar	98-02	4.90	1W7Z3F567AA
Column cover			
19 upper	98-02	4.97# m 0.5	F7AZ3F540AA
20 lower	98-02	4.97# m 0.5	F7AZ3F540BA

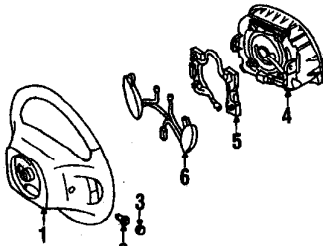
LABOR: Time is after column is removed. Time is for one or all three shafts.
† **LABOR:** Time is for one or both shields.
‡ **PARTS:** Part includes bearing, sleeve, spring and nut.



JA98195

TRANSMISSION SHIFT TUBE					
1 shift lever	98-02	34.30	m 0.3	XW7Z7210AA	
2 Shaft	98-00	8.20		F7DZ7R264AA	
3 Tube	98-02	13.20		1F1Z7212AA	
4 bushing	98-99	1.37		F3TZ7L278A	
5 clamp	98-99	5.33		F2DZ7E400A	
6 insert	98-02	23.10		F2DZ7A218A	
7 Pin	98-02	1.89		F0DZ7W441A	
8 Spring	98-99	1.33		F0DZ7378A	
9 Arm	98-02	3.83		F5AZ7302AA	
10 bracket	98-02	6.47		F5AZ7E3640A	

STEERING WHEEL



JA98200

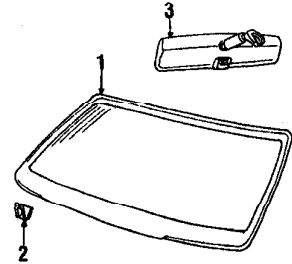
WARNING
Before repairing any air restraint system, the battery cables must be disconnected and any back-up power supply discharged for the time period stipulated by the manufacturer in order to prevent accidental deployment.
NOTE: Wiring repairs should only be performed in accordance with vehicle manufacturer specifications.

PARTS AND R&R OPERATIONS

STEERING WHEEL & TRIM					
Steering wheel					
vinyl w/o speed control					
prairie tan	98	144.62	m 0.6	F8AZ3600AAA	
deep slate blue	98-01	155.47	m 0.6	F8AZ3600AAK	
	02	155.47	m 0.6	F8AZ3600AAZ	
graphite	98-02	155.47	m 0.6	F8AZ3600AAZ	
parchment	99-01	107.03	m 0.6	XW7Z3600ABA	
charcoal	02	155.47	m 0.6	F8AZ3600ABA	
vinyl w/speed control					
prairie tan	98	155.47	m 0.6	F8AZ3600BAA	
deep slate blue	98-01	155.47	m 0.6	F8AZ3600BAK	
graphite	98-02	155.47	m 0.6	F8AZ3600BAZ	
parchment	99-02	104.42	m 0.6	XW7Z3600ABE	
charcoal	02	155.47	m 0.6	F8AZ3600BBF	
leather w/speed control					
prairie tan	98	178.50	m 0.6	F8AZ3600BBA	
deep slate blue	98-02	187.53	m 0.6	F8AZ3600BBB	
graphite	98-02	178.50	m 0.6	F8AZ3600BBC	
parchment	99-01	140.00	m 0.6	XW7Z3600BBE	
charcoal	02	178.50	m 0.6	F8AZ3600BBE	
leather w/speed, radio & heat controls					
parchment	02	250.62	m 0.6	1W3Z3600BAA	
2 screw	98-02	1.05		N808401S411	
3 cover					
prairie tan	98 B	2.25		F5AZ3L518AA	
deep slate blue	98-02B	2.13		F5AZ3L518BB	
graphite	98-02B	3.46		F5AZ3L518E	
parchment	99-02B	1.21		F5AZ3L518PA	
4 Air bag module	98-02	#		SEE FOOTNOTE	
5 Horn switch	98-02	41.57		F6DZ13A875AA	
6 Cruise switch	98-02	34.84		F8AZ9C888AB	

PARTS: Part listed in the RESTRAINT SYSTEMS group.

WINDSHIELD

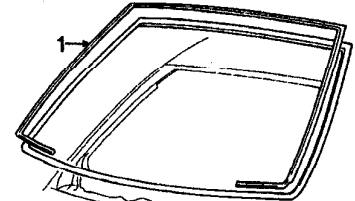


JA98205

PARTS AND R&R OPERATIONS

GLASS					
1 Glass panel					
Ford					
solar tinted	98-00	237.25†	2.6	F7AZ5403100AA	
	01-02	237.25†	2.6	1W7Z5403100AA	
NAGS					
tinted	98-00	677.85†	2.6	DW01327GBY	
	01-02	†	2.6	DW01406GBY	
	98-02B	7.15		F2AZ5403296A	
2 Step					
	98-02B	7.15			
3 Mirror inside					
day & night	98-00	36.78	0.3	F6AZ17700AA	
	00-02	18.92	0.3	F5SZ17700AA	
electrochromic	98-01	260.18	0.3	F8LZ17700AA	
electro w/compass	98-99	159.69	0.3	F6AZ17700AC	
	00-02	306.43	0.3	XW7Z17700AB	

† **LABOR:** Add for installation materials. Check prices locally.

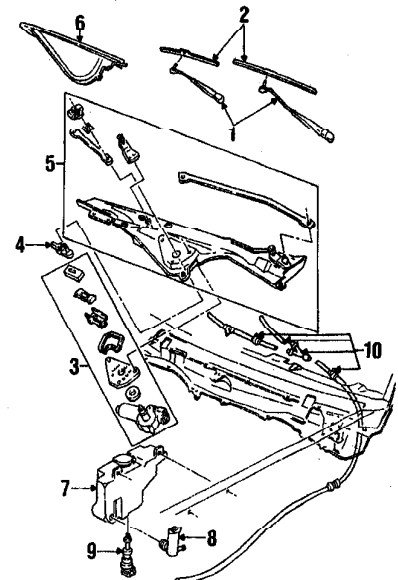


JA98460

REVEAL MOLDINGS

1 Reveal molding	98-02	32.33#	2.6-	F8AZ5403144AA
-------------------------	-------	--------	------	---------------

LABOR: Time included with windshield R&R.



JA98210

WIPER & WASHER COMPONENTS					
1 Wiper arm					
	98-02R	17.40	0.3	F7AZ17526AA	
	98-02L	14.51	0.3	F7AZ17527AA	
2 Blade					
	98-02B	11.95	0.2=	XW7Z17528AA	

CONTINUED

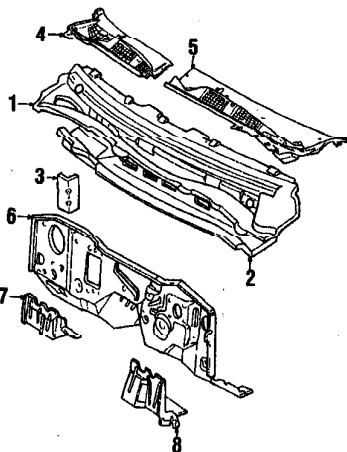
1998-02 CROWN VICTORIA

CROWN VICTORIA
REAR WHEEL DRIVE DR2 JA98

WINDSHIELD (CONT)

3 Motor	98-02	137.60	m 1.3	F7AZ17508AA
4 Drive arm	98-02	27.50	0.7	E7AZ17A436A
5 Arm & pivot Assy	98-02	236.48	m 0.5	1W7Z17868AA
6 Cover	98-02	19.83		FOVY17C588AA
7 Washer reservoir				
w/conventional instr	98-99	35.85	0.5=	FBAZ17618AA
w/electronic instr	00-02	39.07	0.5	YW7Z17618AA
w/electronic instr	98-99	44.42	0.5=	FBAZ17618BA
w/electronic instr	00-02	50.25	0.5	YW7Z17618BA
8 Washer pump	98-99	12.22	0.5	F6SZ17664DA
w/electronic instr	00-02	25.36	0.5	F6SZ17664BA
9 Level sensor	98-02	12.05	0.5	F2AZ17B649A
10 Washer hose	98-02	17.03		F2AZ17A605A
Nozzle	98-02B	8.68	0.2	F2AZ17603A

COWL



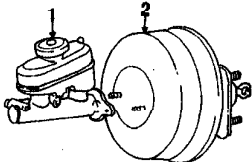
JA98215

PARTS AND R&R OPERATIONS

COWL

Cowl top panel				
1 outer	(p1.0) 98-02	217.70†	9.0	F5AZ5402012A
2 inner	98-02	120.43†	9.0	F6AZ5402018AB
3 Extension				
	98-02R	21.02		F2AZ54025A64A
	98-02L	20.87		F2AZ54025A65A
4 Vent screen				
	98-02R	40.60	0.4=	FBAZ54018A16AAA
	98-02L	45.23	0.4=	FBAZ54018A17AAA
6 Dash panel				
	98-00	96.43†	13.5	F8AZ5401610AA
	01-02	100.15†	13.5	1W7Z5401610AA
7 brace				
	98-02R	36.85		F8AZ5401714AA
	98-02L	36.85		F8AZ5401715AA

† LABOR: Time is after fenders, windshield, instrument panel and all necessary bolts on parts are removed. Time is for outer and inner.
† LABOR: Time is after fenders, windshield, instrument panel and all necessary parts are removed.



JA98545

COMPONENTS ON DASH PANEL

ADD IF REQUIRED

R&R master cylinder add for cruise option	98-02	m 0.4
---	-------	-------

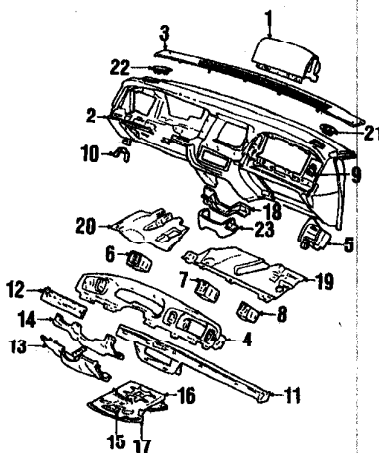
PARTS AND R&R OPERATIONS

1 Master cylinder				
w/ABS	98	96.67†	m 1.0	F7AZ2140AA
w/ABS				
w/o traction cntrl	98-00	96.67†	m 1.0	F7AZ2140AA
	01-02	173.60†	m 1.0	1W1Z2140BA
w/traction control	98-00	145.58†	m 1.0	F8AZ2140AA
	01-02	173.60†	m 1.0	1W1Z2140AA
w/ABS & traction cntrl				
w/o police package	98-00	194.63†	m 1.0	F8AZ2B195AA
	01-02	173.60†	m 1.0	1W1Z2140BA
w/police package	98-00	197.35†	m 1.0	F8AZ2B195DA
	01-02	173.60†	m 1.0	1W1Z2140BA
2 Power booster				
w/o police package	98	152.15	m 1.1	F8AZ2005AA
	99-00	142.58	m 1.1	XW7Z2005AA
	01-02	170.60	m 1.1	1W1Z2005AA

w/police package 98-02 152.92 m 1.1 F8AZ2005BA

† LABOR: Time includes bleeding brake system. See "ADD IF REQUIRED".

INSTRUMENT PANEL



JA98465

WARNING

Before repairing any air restraint system, the battery cables must be disconnected and any back-up power supply discharged for the time period stipulated by the manufacturer in order to prevent accidental deployment. NOTE: Wiring repairs should only be performed in accordance with vehicle manufacturer specifications.

R&I OPERATIONS

R&I instrument panel	98 02	4.8
----------------------	-------	-----

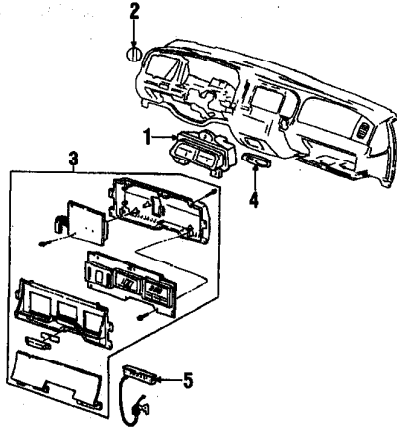
PARTS AND R&R OPERATIONS

INSTRUMENT PANEL

1 Air bag module	98-02	#	SEE FOOTNOTE
2 Instrument panel			
prairie tan	98	1722.02	6.3 F8AZ5404320AAA
slate blue	98-00	965.50	6.3 YW7Z5404320LAB
dark denim blue	01	655.00	6.3 1W7Z5404320JAB
graphite	98-00	965.50	6.3 YW7Z5404320JAC
	01	639.02	6.3 1W7Z5404320JAC
parchment	99	965.50	6.3 XW1Z5404320AAA
	00-02	655.40	6.3 1W7Z5404320JAA
midnight black	01	655.00	6.3 1W7Z5404320JAD
3 Defroster grille			
manual AC	98-02	150.02	0.3 F8AZ5404E82BA
auto temp control	98-02	180.13	0.3 F8AZ5404E82BA
police pkg., NGV & manual AC to 3/27/98	98	104.98	0.3 F5AZ5404E82B
from 3/27/98	98-02	76.92	0.3 2W7Z5404E82CA
4 Cluster panel			
standard gauges	98-01	144.40	0.8 F7AZ5404D70DAA
	02	167.42	0.8 1W7Z5404D70DAAA
electronic gauges	98-02	144.40	0.8 F7AZ5404D70CAA
5 Finish panel			
prairie tan	98	46.10	0.5 F7AZ5404338AAA
slate blue	98-02	71.42	0.5 F7AZ5404338BAA
graphite	98-02	46.10	0.5 F7AZ5404338AAC
parchment	99-02	23.50	0.5 XW1Z5404338AAA
black	00-02	22.10	0.5 YW7Z5404338AAA
6 Vent grille			
driver side	98-02	16.97	F7AZ19883AA
center	98-02R	16.97	F7AZ19883AA
	98-02L	16.97	F7AZ19883AA
9 passenger side			
prairie tan	98-99	22.28	F8AZ19883AAA
slate blue	98-02	22.28	F8AZ19883AAB
graphite	98-02	22.28	F8AZ19883AAC
parchment	99-02	11.87	F8AZ19883AAD
	98-02	5.43	F2AZ5401657A
10 Insulator			
Molding			
11 prairie tan	98 R	108.82†	0.2 XW7Z54046A2BAD
	98 L	33.86†	0.2 F8AZ54046A3AAA
12 slate blue	98-00R	108.82†	0.2 XW7Z54046A2BAB
	08-00L	25.08†	0.2 F8AZ54046A3AAB
graphite	98-00R	108.82†	0.2 XW7Z54046A2BAC
	98-00L	25.08†	0.2 F8AZ54046A3AAC
parchment	99 R	108.82†	0.2 XW7Z54046A2BAA
	99 L	30.15†	0.2 XW7Z54046A3AAA
	00 R	64.22†	0.2 XW7Z54046A2CAA
	00 L	30.15†	0.2 XW7Z54046A3CAA
black	00 R	108.82†	0.2 XW7Z54046A2BAA
	00 L	30.15†	0.2 YW7Z54046A3BAA
w/o adj foot pedals or tra. cntrl			
slate blue	01-02R	102.50†	0.2 1W7Z54046A2AAB
	01-02L	43.78†	0.2 1W7Z54046A3AAA

graphite	01-02R	105.07†	0.2 1W7Z54046A2AAC
	01-02L	59.53†	0.2 1W7Z54046A33AA
parchment	01-02R	105.07†	0.2 1W7Z54046A2AAA
	01-02L	42.72†	0.2 1W7Z54046A33AAB
w/o adj foot pedals, w/tra. cntrl			
slate blue	01-02R	102.50†	0.2 1W7Z54046A2AAB
	01-02L	59.53†	0.2 1W7Z54046A33BAA
graphite	01-02R	105.07†	0.2 1W7Z54046A2AAC
	01-02L	59.53†	0.2 1W7Z54046A33BAB
parchment	01-02R	105.07†	0.2 1W7Z54046A2AAA
	01-02L	56.67†	0.2 1W7Z54046A33BAC
w/adj foot pedals & tra. cntrl			
slate blue	01-02R	102.50†	0.2 1W7Z54046A2AAB
	01-02L	59.53†	0.2 1W7Z54046A33BAA
graphite	01-02R	105.07†	0.2 1W7Z54046A2AAC
	01-02L	59.53†	0.2 1W7Z54046A33DAA
parchment	01-02R	105.07†	0.2 1W7Z54046A2AAA
	01-02L	85.42†	0.2 1W7Z54046A33DAB
13 Column cover			
prairie tan	98	41.10	0.3 F8AZ540458AAA
slate blue	98-02	40.10	0.3 F8AZ540458AAB
graphite	98-02	39.82	0.3 F8AZ540458AAC
parchment	99-02	22.62	0.3 XW7Z540458AAA
black	00-02	24.82	0.3 YW7Z540458AAA
14 Reinforcement			
	98 02	29.13	F5AZ540302A
15 Ashtray			
	98-02	13.75	F8AZ540821AA
16 Ashtray Assy			
prairie tan	98	102.98	F8AZ540810AAB
slate blue	98-00	102.98	F8AZ540810AAC
	01	78.85	YW7Z5404810AAC
graphite	98-00	102.98	F8AZ540810AAA
	01	78.85	YW7Z540810AAD
parchment	99-00	79.73	XW7Z540810AAA
	01	78.85	YW7Z540810AAB
black	00	77.78	YW7Z540810AAA
	01	78.85	YW7Z540810AAE
w/o LX sport			
slate blue	02	78.85	YW7Z540810AAC
graphite	02	78.85	YW7Z540810AAD
parchment	02	78.85	YW7Z540810AAB
black	02	78.85	YW7Z540810AAE
w/LX sport			
parchment	02	85.47	1W3Z540810AAA
black	02	85.47	1W3Z540810AAC
17 Retainer			
	98-02	4.86	SEE FOOTNOTE
Lighter Assy			
Socket	98-02	9.05	F5Z15055AA
w/glow ring	98-02		
18 Reinforcement			
slg column opening	98-02	16.67	F7AZ54017A28AA
19 Sound absorber			
	98-02R	12.90	F8AZ54043A8AA
	98-02L	23.92	1W7Z54043A8AA
20 Defogger grille			
21 prairie tan	98 R	15.38	F7AZ54046A7AAA
	98 L	5.18	F7AZ54046A7AAA
22 slate blue	98-02R	15.38	F7AZ54046A7AAB
	98-02L	5.18	F7AZ54046A7AAB
graphite	98-02R	13.68	F5AZ54046A7AA
	98-02L	6.35	F5AZ54046A7AA
parchment	99-02R	5.35	XW3Z54046A7AAA
	99-02L	5.35	XW3Z54046A7AAA
23 Lower cover			
w/o police			
prairie tan	98	42.28	XW7Z5404G02AAA
slate blue	98-00	41.28	XW7Z5404G02AAC
	01-02	41.25	1W7Z5404G02AAB
graphite	98-00	42.30	XW7Z5404G02AAE
	01-02	41.25	1W7Z5404G02AAC
parchment	99-00	41.28	XW7Z5404G02AAB
	01-02	41.25	1W7Z5404G02AAA
police package	98-02	42.30	F8AZ5404G02BAA
LX sport			
parchment	02	D	1W3Z5404G02AAA
black	02	D	1W3Z5404G02AAC

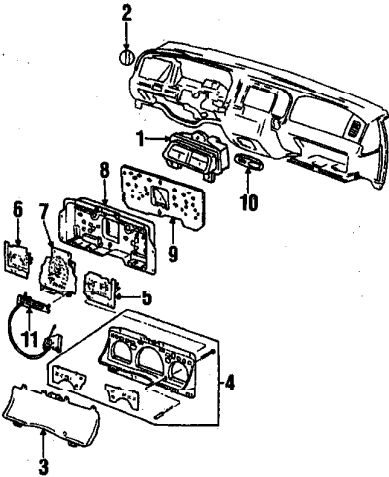
† PARTS: Part listed in RESTRAINT SYSTEMS group.
‡ PARTS: Part serviced as part of ashtray assembly.
§ PARTS: Order by color & application.



JA98470

**CLUSTER & SWITCHES
ELECTRONIC**

1 Switch Assy	Instrument indicator	98-02	30.33		F8AZ10D996AA
2 Headlamp switch	w/o police package	98	211.11	m 1.0	F8AZ11854BB
		99-02	80.82	m 1.0	XW7Z11654AA
	w/police package	98-02	89.00	m 1.0	XW7Z11654BA
		99-02			
3 Inst cluster	w/o police package	98	288.62	m 1.2	F8AZ10849FR
		99	309.86	m 1.2	XW7Z10849AA
		00	531.49	m 1.2	YW7Z10849AA
		01	391.02	m 1.2	1W7Z10849AA
	w/police package	98-01	D	m 1.2	F8AZ10849EA
		02	391.02	m 1.2	1W7Z10849AA
	w/floor shift	02	D302.31	m 1.2	1W3Z10849FA
4 Clock		98-02	50.00		F8AZ15000AA
5 Shift indicator		98-02	21.43		F8AZ7A110AA
		99-02			
Temp control	manual AC	98-02	15.17		F8AZ19980AA
	auto temp control	98-02	482.50		1W7Z19980AA



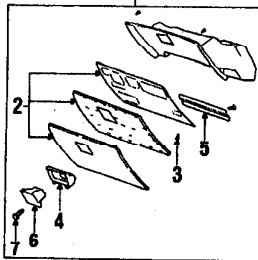
JA98475

**CLUSTER & SWITCHES
MECHANICAL**

1 Switch Assy		98-02			NOT USED
2 Headlamp switch	w/o police package	98	211.11	m 1.0	F8AZ11854BB
		99-02	80.82	m 1.0	XW7Z11654AA
	w/police package	98-02	89.00	m 1.0	XW7Z11654BA
		99-02	24.37		F2AZ10887A
3 Lens		98-01	29.42	m 1.6	F8AZ10890AB
4 Cluster trim	w/column shift	02	29.42	m 1.6	F8AZ10890AB
	w/floor shift	02		m 1.6	1W3Z10890AA
5 Temp gauge	w/o police package	98-02	63.92#	m 1.3	F8AZ10883AA
		98-02	63.92#	m 1.3	F8AZ10883BA
6 Fuel gauge	w/o police package	98-02	144.92#	m 1.3	F8AZ3305AA
		98-02	66.55#	m 1.3	F8AZ3305BA
7 Speedometer	w/o police package	98-02	296.66#	m 1.3	F8AZ17255AA
		98-02	296.66#	m 1.3	F8AZ17255CA
8 Backing plate		98-01	19.62		F8AZ10848AA

9 Circuit board		02	18.67		1W7Z10848AA
w/o police package	98-02	205.40			F8AZ10K843BA
w/police package	98-02	17.57			F8AZ10K843AA
10 Clock		98-02	50.00		F8AZ15000AA
11 Shift indicator		98-02	21.43		F8AZ7A110AA
Temp control	manual AC	98-02	15.17		F8AZ19980AA
	auto temp control	98-02	482.50		1W7Z19980AA

LABOR: Time is for one or all gauges.

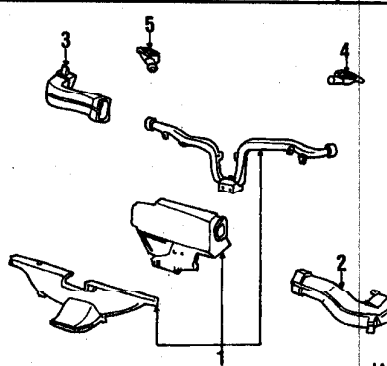


JA98220

GLOVE BOX

1 Glove box Assy		98-02	319.85	0.5	F8AZ3400U10AAB
	slate blue	98-02	319.85	0.5	F8AZ54080T10AAD
	graphite	98-02	364.17	0.5	XW7Z54080T10AAA
	parchment	99-02	355.23	0.5	XW7Z54080T10AAB
	midnight	00-02			
2 Glove box door		98-02			SEE FOOTNOTE
3 rivet		98-07	51		N807129S411
4 Latch	prairie tan	98-99	6.68	0.2	F8AZ5408072AAA
	parchment	00-02	12.38	0.2	YW1Z5408072AAF
	slate blue	98-02	7.63	0.2	F8AZ5408072AAB
	graphite	98-02	12.80	0.2	YF3Z5408072AA
5 Hinge		98-02			SEE FOOTNOTE
6 Latch cover		98	13.60†		F7QZ54061A0AAA
		99-02			SEE FOOTNOTE
7 Cylinder		98-02	26.48		F8DZ5406082AA

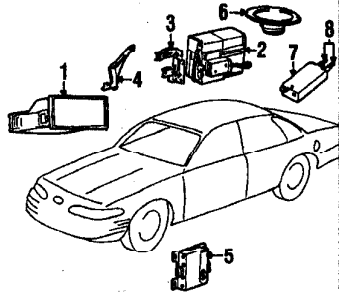
* PARTS: Part serviced with Glove box Assy.
† PARTS: Part also serviced in Glove box Assy.



JA98225

DUCTS

1 Damper Assy		98-02	95.88		XW7Z18D453AA
2 center		98-02	53.13		F5AZ198680A
3 passenger side		98-02	52.10		F5AZ198680B
4 driver side		98-02	13.27		F5AZ19E530A
5 Defroster nozzle		98-02L	27.93		F5AZ19E530B



JA98480

SOUND SYSTEM

1 Radio		98	381.54	0.6	F8AZ18806AA
----------------	--	----	--------	-----	-------------

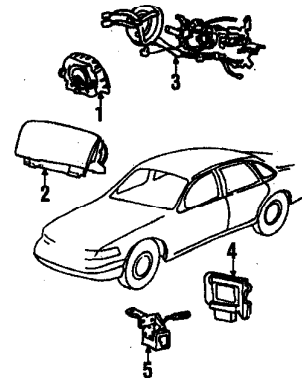
base sound	99-02	590.59	0.6	YW3Z18806AA	
premium sound	00-02	590.59	0.6	YW3Z18806AA	
audiophile sound	01-02	449.00	0.6	YW3Z18806BA	
2 CD player		98	589.94	0.6	F8AZ18D908AC
		99-02	525.00	0.6	XW1Z18D908AA
3 bracket	front	98-02	9.00		F8VZ18C835AA
	rear	98-02	16.50		F8VZ18C835BA
5 Amplifier		98	400.00†	0.5	F8AZ18C804AA
		99-02	325.43†	0.5	XW1Z18C804AA
6 Speaker	w/o premium sound				
	instrument panel	98 B	19.48	0.3	E9AZ18808B
	front door	98 B	40.48	0.2	F2AZ18808C
	w/premium sound				
	front door, upper	98 B	26.17#	0.2	XS4Z18808DA
	front door lower	98 B	D43.96#	0.2	E9AZ18808E
	package tray	98	78.72	0.7	E9AZ18808C
		99-02	20.00	0.7	XW7Z18808AA
	w/audiophile sound	99-02R	70.00	0.7	XW7Z18808BA
		99-02L	70.00	0.7	XW7Z18808AC
	w/premium sound	99-02R	20.00	0.7	XW7Z18808AD
		99-02L	22.93	0.7	XW7Z18808AE
7 Control module	back glass antenna	98-02			SEE FOOTNOTE
8 Cable		98-02			SEE FOOTNOTE

LABOR: Time is after trim panel is removed.
† PARTS: Part listed in ELECTRICAL group, ANTENNA subgroup.
‡ PARTS: Part includes amp, bracket, wire and enclosure.

CONSOLE

Information not available at time of publication.

RESTRAINT SYSTEMS



JA98230

WARNING
Before repairing any air restraint system, the battery cables must be disconnected and any back-up power supply discharged for the time period stipulated by the manufacturer in order to prevent accidental deployment. NOTE: Wiring repairs should only be performed in accordance with vehicle manufacturer specifications.

REPLACEMENT COMPONENTS
The following components are mandatory replacement items following an air bag deployment according to current vehicle manufacturer recommendations. This information supersedes all prior information published by MOTOR.

Air bag modules
INSPECTION COMPONENTS
The following components must be inspected for damage and replaced if necessary.

- Wiring
- Terminals
- Insulation
- Connectors
- Steering wheel
- Steering column
- Dashboard
- Mounting brackets
- Clockspring
- Impact sensors (replace if brackets are damaged)

ADD IF REQUIRED

Air bag system diagnosis			
ck sys. operation	98-02	m 0.5	
pinpoint test	98-02	± m 2.1	

PARTS AND R&R OPERATIONS

1 Driver air bag			
prairie tan	98	566.50	m 0.5=F8AZ34043B130AD

CONTINUED

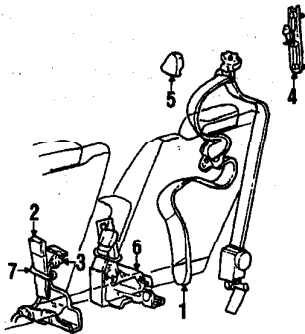
1998-02 CROWN VICTORIA

CROWN VICTORIA
REAR WHEEL DRIVE DR2 JA98

RESTRAINT SYSTEMS (CONT)

slate blue	98-00	566.50	m	0.5	F8AZ54043B13DAC
	01-02	550.00	m	0.5	1W7Z54043B13AAB
graphite	98-00	566.50	m	0.5	F8AZ54043B13DAB
	01-02	550.00	m	0.5	1W7Z54043B13AAC
parchment	99-00	550.00	m	0.5	XW7Z54043B13AAA
	01-02	550.00	m	0.5	1W7Z54043B13AAA
	01-02	550.00	m	0.5	1W7Z54043B13AAD
2 Passenger air bag					
prairie tan	98	656.26	m	0.6	F8AZ54044A74DAC
slate blue	98-00	656.26	m	0.6	F8AZ54044A74DAB
	01-02	625.00	m	0.6	1W7Z54044A74AAB
graphite	98-00	656.26	m	0.6	F8AZ54044A74DAA
	01-02	625.00	m	0.6	1W7Z54044A74AAC
parchment	99-00	625.00	m	0.6	XW7Z54044A74AAA
	01-02	625.00	m	0.6	1W7Z54044A74AAA
	01-02	625.00	m	0.6	1W7Z54044A74AAD
3 Clockspring					
	98-00	36.91#	m	0.8	F8AZ14A664AA
	01	63.40#	m	0.8	1W7Z14A664AA
4 Diagnostic unit					
w/sensor & bracket	98-00	193.13	m	0.7	F8AZ14B321AB
	01-02	180.20	m	0.7	1W7Z14B321AC
5 Air bag sensor					
	98-00	79.75	m	0.5	F8AZ14B005AA
	01-02	101.03	m	0.5	1W1Z14B006AA

* LABOR: Time includes steering wheel R&I.
† LABOR: Time to visually inspecting system, removal of air bag, installation of air bag simulator, install star tester, retrieve/clear trouble codes and reassemble.

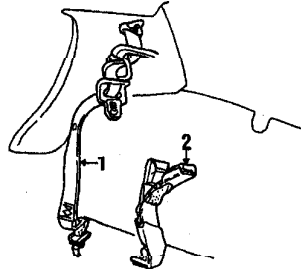


JA98235

FRONT SEAT BELTS

Retractor easy					
prairie tan	98 R	65.68	0.8	F7AZ54611B08BAB	
	98 L	65.68	0.8	F7AZ54611B08BAB	
slate blue	98 R	65.68	0.8	F7AZ54611B08BAD	
	98 L	56.67	0.8	YW7Z54611B08AAD	
	99-00R	56.67	0.8	YW7Z54611B08AAE	
	99-00L	56.67	0.8	YW7Z54611B08AAE	
	01 R	120.63	0.8	1W7Z54611B08AAD	
	01 L	124.50	0.8	1W7Z54611B08AAD	
	02 R	124.50	0.8	2W7Z54611B08AAB	
	02 L	124.50	0.8	2W7Z54611B08AAB	
graphite	98 R	65.68	0.8	F7AZ54611B08BAE	
	98 L	56.67	0.8	YW7Z54611B08BAK	
	99-00R	56.67	0.8	YW7Z54611B08BAK	
	99-00L	56.67	0.8	YW7Z54611B08BAK	
	01 R	124.50	0.8	1W7Z54611B08AAB	
	01 L	124.50	0.8	1W7Z54611B08AAB	
	02 R	124.50	0.8	2W7Z54611B08AAA	
	02 L	124.50	0.8	2W7Z54611B08AAA	
parchment	99-00R	56.67	0.8	YW7Z54611B08AAE	
	99-00L	56.67	0.8	YW7Z54611B08AAE	
	01 R	124.50	0.8	1W7Z54611B08AAB	
	01 L	124.50	0.8	1W7Z54611B08AAB	
	02 R	124.50	0.8	2W7Z54611B08AAA	
	02 L	124.50	0.8	2W7Z54611B08AAA	
midnight black	01 R	124.50	0.8	1W7Z54611B08AAE	
	01 L	124.50	0.8	1W7Z54611B08AAE	
	02 R	124.50	0.8	2W7Z54611B08AAC	
	02 L	124.50	0.8	2W7Z54611B08AAC	
2 Buckle end					
prairie tan	98 R	18.63	0.4	F7AZ5461202AAA	
	98 L	51.60	0.4	F7AZ5461203AAA	
slate blue	98-00R	60.20	0.4	F8AZ5461202AAA	
	98-00L	51.60	0.4	F8AZ5461203AAA	
	01-02B	40.00	0.4	1W7Z5461202AAD	
graphite	98-00R	35.00	0.4	F5AZ5461202E	
	98-00L	51.60	0.4	F5AZ5461203E	
	01-02B	40.00	0.4	1W7Z5461202AAB	
	99-00R	20.03	0.4	XW7Z5461202AAB	
	99-00L	20.67	0.4	XW7Z5461203AAB	
	01-02B	40.00	0.4	1W7Z5461202AAA	
	01-02L	40.00	0.4	1W7Z5461202AAE	
3 Center seat belt					
prairie tan	98	129.00	0.5	F7AZ54611B60AAA	
slate blue	98-00	45.18	0.5	F8AZ54611B60AAA	
	01-02	45.18	0.5	1W7Z54611B60AAB	
graphite	98-00	45.18	0.5	F5AZ54611B60E	
	01-02	45.18	0.5	1W7Z54611B60AAD	

parchment	99-00	36.05	0.5	XW7Z54611B60AAF
	01-02	45.18	0.5	1W7Z54611B60AAA
midnight black	01-02	45.18	0.5	1W7Z54611B60AAC
4 Height adjuster				
prairie tan	98 B	26.97		F7AZ54602B82AAA
slate blue	98 B	26.95		F6BZ16602B82AAJ
	99-02B	26.97		F6BZ16602B82BBJ
graphite	98-02B	26.97		F6BZ16602B82AAG
parchment	99-02B	26.97		XW1Z16602B82AAB
midnight black	01-02B	26.97		YW7Z16602B82AAA
5 Cover				
prairie tan	98 B	5.18		F7AZ54602B26AAA
slate blue	98-02B	5.02		F6BZ16602B26AAE
graphite	98-02B	5.18		F6VZ54602B26AAA
parchment	99-02B	5.02		XW1Z16602B26AAB
6 Shield				
prairie tan	98 B	18.34		F8AZ54611A70AAA
slate blue	98-02B	20.00		F8AZ54611A70AAB
graphite	98-02B	8.60		F7AZ54611A70AAD
parchment	99-02B	24.13		XW7Z54611A70AAA
7 Retainer				
	98-02B	3.19		E7AZ60611B46A

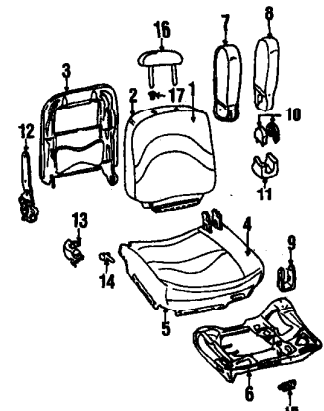


JA98240

REAR SEAT BELTS

Retractor					
prairie tan	98 R	96.32	0.7	F8AZ54611B68AAA	
	98 L	57.44	0.7	F8AZ54611B68AAA	
slate blue	98 R	96.32	0.7	F8AZ54611B68AAB	
	98 L	96.32	0.7	F8AZ54611B68AAB	
	99-00R	63.67	0.7	XW7Z54611B68AAB	
	99-00L	63.67	0.7	XW7Z54611B68AAB	
	01 R	63.67	0.7	1W7Z54611B68AAB	
	01 L	63.67	0.7	1W7Z54611B68AAB	
	02 R	63.67	0.7	2W7Z54611B68AAB	
	02 L	63.67	0.7	2W7Z54611B68AAB	
graphite	98 R	57.44	0.7	F8AZ54611B68AAD	
	98 L	59.27	0.7	F8AZ54611B68AAD	
	99 R	63.67	0.7	XW7Z54611B68AAC	
	99 L	61.70	0.7	XW7Z54611B68AAC	
	00 R	63.67	0.7	YW7Z54611B68AAE	
	00 L	63.67	0.7	YW7Z54611B68AAE	
	01 R	63.67	0.7	1W7Z54611B68AAC	
	01 L	63.67	0.7	1W7Z54611B68AAC	
	02 R	63.67	0.7	2W7Z54611B68AAD	
	02 L	63.67	0.7	2W7Z54611B68AAD	
parchment	99 R	63.67	0.7	XW7Z54611B68AAD	
	99 L	63.67	0.7	XW7Z54611B68AAD	
	00 R	61.70	0.7	XW7Z54611B68AAA	
	00 L	61.70	0.7	XW7Z54611B68AAA	
	01 R	63.67	0.7	1W7Z54611B68AAA	
	01 L	63.67	0.7	1W7Z54611B68AAA	
	02 R	63.67	0.7	2W7Z54611B68AAA	
	02 L	63.67	0.7	2W7Z54611B68AAA	
midnight black	01 R	63.67	0.7	1W7Z54611B68AAC	
	01 L	63.67	0.7	1W7Z54611B68AAC	
	02 R	63.67	0.7	2W7Z54611B68AAC	
	02 L	63.67	0.7	2W7Z54611B68AAC	
2 Buckle end					
prairie tan	98 R	91.17	0.4	F7AZ5460044AAA	
	98 L	91.17	0.4	F7AZ5460045AAA	
slate blue	98 R	76.67	0.4	F8AZ5460044AAA	
	98 L	75.00	0.4	F8AZ5460045AAA	
	99-00R	28.17	0.4	XW7Z5460044AAC	
	99-00L	75.00	0.4	F8AZ5460045AAA	
	01-02R	23.12	0.4	1W7Z5460044AAB	
	01-02L	23.12	0.4	1W7Z5460045AAB	
graphite	98 R	68.80	0.4	F5AZ5460044E	
	98 L	68.80	0.4	F5AZ5460045E	
	99 R	28.17	0.4	XW7Z5460044AAD	
	99 L	68.80	0.4	F5AZ5460045E	
	00 R	27.30	0.4	YW7Z5460044AAB	
	00 L	28.17	0.4	YW7Z5460045AAB	
	01-02R	23.12	0.4	1W7Z5460044AAD	
	01-02L	23.12	0.4	1W7Z5460045AAD	
parchment	99-00R	28.17	0.4	XW7Z5460044AAA	
	99-00L	28.17	0.4	XW7Z5460045AAA	
	01-02R	22.40	0.4	1W7Z5460044AAA	
	01-02L	22.40	0.4	1W7Z5460045AAA	
midnight black	01-02R	23.12	0.4	1W7Z5460044AAC	
	01-02L	23.12	0.4	1W7Z5460045AAC	

SEATS & TRACKS



JA98245

R&I OPERATIONS

R&I front seat 98-02 0.4

PARTS AND R&R OPERATIONS

FRONT SEAT COMPONENTS

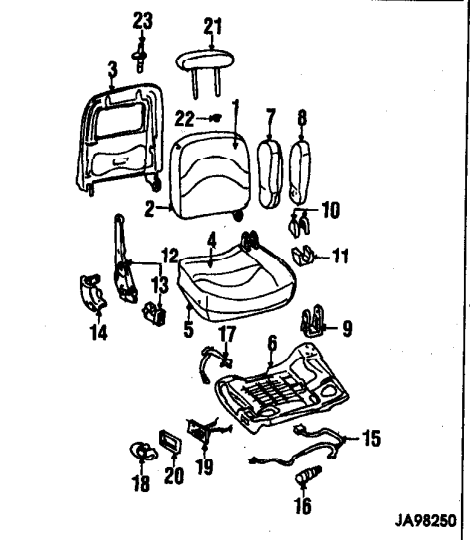
MANUAL

1 Seat back cover					
leather					
prairie tan	98	335.00	1.0	F8MZ5464416BAB	
slate blue	98	345.00	1.0	F8MZ5464416BAC	
	99	175.00	1.0	F8AZ5464416BAC	
	00-02	170.00	1.0	YW3Z5464416CAC	
graphite	98	335.00	1.0	F8MZ5464416BAE	
	99	175.00	1.0	F8AZ5464416BAD	
	00-02	175.00	1.0	YW3Z5464416CAF	
parchment	99	335.00	1.0	XW3Z5464416CAA	
	00-02	175.00	1.0	YW3Z5464416CAA	
cloth					
prairie tan	98	345.00	1.0	F7AZ5464416BAY	
slate blue	98	345.00	1.0	F8AZ5464416BAA	
	99-02	335.00	1.0	F8AZ5464416BAAB	
graphite	98-02	335.00	1.0	F8AZ5464416AAC	
parchment	99-02	335.00	1.0	XW7Z5464416AAD	
cloth & vinyl					
prairie tan	98	345.00	1.0	F8AZ5464416CAA	
slate blue	98	345.00	1.0	F8AZ5464416CAB	
	99	170.00	1.0	F8AZ5464416CDB	
	00	345.00	1.0	F8AZ5464416CAB	
graphite	98	175.00	1.0	F8AZ5464416CAC	
	99	335.00	1.0	F8AZ5464416BCD	
	00	175.00	1.0	F8AZ5464416CAC	
parchment	99	D170.00	1.0	XW7Z5464416BAB	
	00	345.00	1.0	XW7Z5464416CAA	
2 Seat back pad					
base	98-01	136.75		F5AZ5464810A	
LX	98-01	53.30		XW3Z5464810AA	
all	02	38.62		1W7Z5464810AA	
3 Seat back frame					
w/o lumbar	98-02R	119.15		F5AZ5461018B	
	98-02L	119.15		F5AZ5461018B	
w/lumbar	98-02R	119.15		F8AZ5461018AA	
	98-02L	119.15		F8AZ5461018AA	
w/police package	98-02L	180.90		F5AZ5461018C	
	98-02L	123.80	</		

cloth			
prairie tan	98 R	345.00	1.3 F7AZ5462900AAY
prairie tan	98 L	170.00	1.3 F7AZ5462901AAY
slate blue	98 R	335.00	1.3 F8AZ5462900BAA
	98 L	345.00	1.3 F8AZ5462901BAA
	99 R	345.00	1.3 F8AZ5462900AAB
	99 L	335.00	1.3 F8AZ5462901AAB
	00 R	170.00	1.3 XW7Z5462900AAB
	00 L	170.00	1.3 XW7Z5462901AAB
	01-02R	175.00	1.3 1W7Z5462900BAA
	01-02L	175.00	1.3 1W7Z5462901BAA
graphite			
	98 R	345.00	1.3 F7AZ5462900AZU
	98 L	175.00	1.3 F7AZ5462901AZU
	99 R	345.00	1.3 XW7Z5462900AAC
	99 L	345.00	1.3 F8AZ5462901AAC
	00 R	345.00	1.3 XW7Z5462900AAC
	00 L	170.00	1.3 XW7Z5462901AAC
	01-02R	175.00	1.3 1W7Z5462900FAD
	01-02L	175.00	1.3 1W7Z5462901FAD
parchment			
	99 R	335.00	1.3 XW7Z5462900AAD
	99 L	345.00	1.3 XW7Z5462901AAD
	00 R	335.00	1.3 XW7Z5462900AAA
	00 L	345.00	1.3 XW7Z5462901AAA
	01-02R	175.00	1.3 1W7Z5462900FAA
	01-02L	175.00	1.3 1W7Z5462901FAA
cloth & vinyl			
prairie tan	98 R	345.00	1.3 F8AZ5462900CAA
prairie tan	98 L	175.00	1.3 F8AZ5462901CAA
slate blue	98 R	175.00	1.3 F8AZ5462900CAB
	98 L	175.00	1.3 F8AZ5462901CAB
	99 R	175.00	1.3 F8AZ5462900BAC
	99 L	175.00	1.3 F8AZ5462901BAC
	00-01R	175.00	1.3 YW3Z5462900AAB
	00-01L	170.00	1.3 YW3Z5462901AAB
graphite			
	98 R	175.00	1.3 F8AZ5462900CAC
	98 L	175.00	1.3 F8AZ5462901CAC
	99-02R	175.00	1.3 F8AZ5462900BAD
	99-02L	170.00	1.3 F8AZ5462901BAD
parchment			
	99-02R	175.00	1.3 XW7Z5462900BAB
	99-02L	170.00	1.3 XW7Z5462901BAB
5 Seat cushion pad			
base	98-02R	157.07	1.3 F8AZ54632A22CA
	98-02L	157.07	1.3 F8AZ54632A23CA
LX	98-02R	36.59	1.3 F8MZ54632A22AA
	98-02L	38.05	1.3 F8MZ54632A23AA
police w/buckets	00-02R	62.23	1.3 XW7Z54632A22AA
	00-02L	63.78	1.3 XW7Z54632A23AA
police w/bench	00-02R	157.07	1.3 F8AZ54632A22CA
	00-02L	157.07	1.3 F8AZ54632A23CA
6 Seat frame			
w/o lumbar	98-99L	87.45#	F8AZ5463100DA
	98-99R	87.45#	YW7Z5463101DA
	00-02R	87.45#	YW7Z5463100DA
	00-02L	87.45#	YW7Z5463101CA
7 Armrest cover			
leather			
prairie tan	98	85.00	F8MZ54644A18BAB
slate blue	98-99	85.00	F8MZ54644A18BAA
	00-02	86.67	YW3Z54644A18CAC
graphite			
	98	85.00	F8MZ54644A18BAE
	99	85.00	F8MZ54644A18BAE
	00-02	86.67	YW3Z54644A18CAG
parchment			
	99	170.00	XW3Z54644A18BAA
	00-02	86.67	YW3Z54644A18CAA
cloth			
prairie tan	98	175.00	F7AZ54644A18AAY
slate blue	98	170.00	F8AZ54644A18BAA
	99	85.00	F8AZ54644A18BAE
	00-02	86.67	YW3Z54644A18CAG
graphite			
	98	170.00	F8AZ54644A18BAE
	99	175.00	F8AZ54644A18BAE
	00-02	86.67	YW3Z54644A18CAG
parchment			
	99	170.00	XW7Z54644A18AAD
	00-02	86.67	YW7Z54644A18AAA
cloth & vinyl			
prairie tan	98	175.00	F8AZ54644A18CAA
slate blue	98-02	25.75	F8AZ54644A18CAB
	98-02	25.75	F8AZ54644A18CAB
	99-02	86.67	YW7Z54644A18AAA
8 Armrest pad			
	98	47.11	F5VY5465478AA
	99-02	27.12	XW7Z5465478AA
9 bracket			
	98-02	8.93	F7AZ5463076AA
10 cover			
upper	98-02	5.35	F4OZ54672A28AAF
lower	98-02	39.88	F5AZ54672A28BB
11 Recliner			
	98-02R	140.83	F5VY5462648AA
	98-02L	146.32	F5VY5462648AA
13 Recline cover			
	98-02R	9.35	F5AZ5462768AA
	98-02L	6.55	F5AZ5462768AA
14 Recline handle			
prairie tan	98 R	6.08	F7AZ5461198ABT
	98 L	5.25	F7AZ5461198ABT
slate blue	98-02R	5.25	F8AZ5461198AAA
	98-02L	5.38	F8AZ5461198AAA
graphite	98-02R	22.03	F5AZ5461198G
	98-02L	5.38	F5AZ5461198G
parchment	99-02R	5.38	XW1Z5461198AAB
	99-02L	5.38	XW1Z5461198AAB
15 Lumbar pump			
	98-02	72.38	F0VY5463530AA

16 Headrest			
leather			
prairie tan	98	175.00	0.1 F8AZ54611A08BAB
slate blue	98-99	175.00	0.1 F8AZ54611A08BAC
	00-02	25.75	0.1 YW7Z54611A08DAC
graphite			
	98-99	175.00	0.1 F8AZ54611A08BAE
	00-02	25.75	0.1 YW7Z54611A08DAF
parchment			
	99	86.67	0.1 XW7Z54611A08CAA
	01-02	25.75	0.1 YW7Z54611A08DAA
cloth			
prairie tan	98	175.00	0.1 F7AZ54611A08AAY
slate blue	98	175.00	0.1 F8AZ54611A08BAA
	99-02	86.67	0.1 XW7Z54611A08BAB
graphite			
	98	175.00	0.1 F5AZ54611A08AZU
	99-02	86.67	0.1 XW7Z54611A08BAA
parchment			
	99-02	86.67	0.1 XW7Z54611A08BAA
cloth & vinyl			
prairie tan	98	175.00	0.1 F8AZ54611A08BAB
slate blue	98-99	175.00	0.1 F8AZ54611A08BAA
	00-02	25.75	0.1 YW7Z54611A08DAC
graphite			
	98-99	175.00	0.1 F8AZ54611A08BAE
	00-02	25.75	0.1 YW7Z54611A08DAF
parchment			
	99	86.67	0.1 XW7Z54611A08CAA
	00-02	25.75	0.1 YW7Z54611A08DAA
	98	1.05	F7OZ54610A18AAA
	99-02	4.18	XW7Z54610A18AAB

PARTS: Order by application.



FRONT SEAT COMPONENTS POWER PASSENGER SIDE

1 Seat back cover			
leather			
prairie tan	98	335.00	1.0 F8MZ5464416BAB
slate blue	98	345.00	1.0 F8MZ5464416BAC
	99	175.00	1.0 F8AZ5464416BAC
	00-02	170.00	1.0 YW3Z5464416CAC
graphite			
	98	335.00	1.0 F8MZ5464416BAE
	99	175.00	1.0 F8AZ5464416BAE
	00-02	175.00	1.0 YW3Z5464416CAF
parchment			
	99	335.00	1.0 XW3Z5464416BAA
	00-02	175.00	1.0 YW3Z5464416CAA
cloth			
prairie tan	98	345.00	1.0 F7AZ5464416AAY
slate blue	98	345.00	1.0 F8AZ5464416BAA
	99-02	335.00	1.0 F8AZ5464416BAA
	98-00	345.00	1.0 F8AZ5464416AZU
	01-02	335.00	1.0 F8AZ5464416AAC
parchment			
	99-02	335.00	1.0 XW7Z5464416AAD
cloth & vinyl			
prairie tan	98	345.00	1.0 F8AZ5464416CAA
slate blue	98	345.00	1.0 F8AZ5464416CAB
	99	170.00	1.0 F8MZ5464416BDB
	00	345.00	1.0 F8AZ5464416CAB
	98	175.00	1.0 F8AZ5464416CAC
	99	335.00	1.0 F8MZ5464416BDC
	00	175.00	1.0 F8AZ5464416CAC
parchment			
	99	D170.00	1.0 XW7Z5464416BAB
	00	345.00	1.0 XW7Z5464416CAA
2 Seat back pad			
base	98-01	136.75	F5AZ5464810AA
	02	NOT LISTED	
LX	98-01	53.30	XW3Z5464810AA
	02	38.52	1W7Z5464810AA
3 Seat back frame			
w/o lumbar	98-02	119.15	F5AZ5461018B
w/lumbar	98-02	119.15	F8AZ5461018AA
w/police package	98-02	180.90	F5AZ5461018C

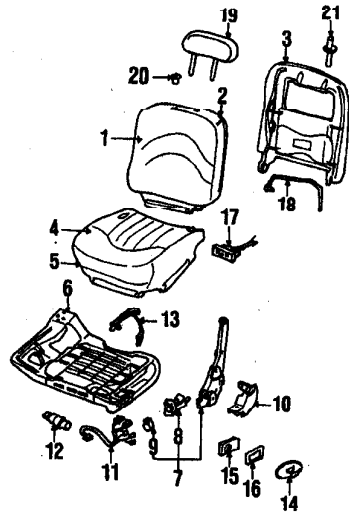
4 Seat cover			
leather			
prairie tan	98	335.00	1.3 F8MZ5462900RAB
slate blue	98	335.00	1.3 F8MZ5462900RAC
	99	335.00	1.3 F8MZ5462900RBC
	00	175.00	1.3 YW3Z5462900CAC
	01-02	175.00	1.3 1W7Z5462900FAB
graphite			
	98	335.00	1.3 F8MZ5462900BAE
	99	335.00	1.3 F8MZ5462900BCF
	00	175.00	1.3 1W7Z5462900FAD
	01-02	175.00	1.3 1W7Z5462900FAA
parchment			
	99	170.00	1.3 XW3Z5462900CAA
	00	345.00	1.3 XW3Z5462900CAB
	01-02	175.00	1.3 1W7Z5462900FAA
cloth			
prairie tan	98	345.00	1.3 F7AZ5462900AAY
slate blue	98	335.00	1.3 F8AZ5462900BAA
	99-00	170.00	1.3 XW7Z5462900AAB
	01-02	175.00	1.3 1W7Z5462900AAC
graphite			
	98	345.00	1.3 F7AZ5462900AZU
	99-00	345.00	1.3 XW7Z5462900AAC
	01-02	175.00	1.3 1W7Z5462900BAD
parchment			
	99	335.00	1.3 XW7Z5462900AAD
	00	335.00	1.3 XW7Z5462900AAA
	01-02	175.00	1.3 1W7Z5462900AAA
cloth & vinyl			
prairie tan	98	345.00	1.3 F8AZ5462900CAA
slate blue	98	175.00	1.3 F8AZ5462900CAB
	99	175.00	1.3 F8AZ5462900BAC
	00	175.00	1.3 F8AZ5462900CAB
	01-02	175.00	1.3 F8AZ5462900BAC
	98	175.00	1.3 F8AZ5462900CAC
	99-02	175.00	1.3 F8AZ5462900BAD
	00	175.00	1.3 XW7Z5462900BAA
	01-02	175.00	1.3 XW7Z5462900CAA
	01-02	175.00	1.3 XW7Z5462900BAB
5 Seat cushion pad			
base	98-02	157.07	1.3 F8AZ54632A22CA
LX	98-02	36.59	1.3 F8MZ54632A22AA
6 Seat frame			
w/o lumbar	98-01	87.45	F8AZ5463100DA
	02	NOT LISTED	
w/lumbar	98	92.77	F8AZ5463100CA
	99-01	87.45	YW7Z5463100AA
	02	85.32	YW7Z5463100DB
7 Armrest cover			
leather			
prairie tan	98	85.00	F8MZ54644A18BAB
slate blue	98-99	85.00	F8MZ54644A18BAA
	00-02	86.67	YW3Z54644A18CAC
graphite			
	98-99	85.00	F8MZ54644A18BAE
	00	86.67	YW7Z54644A18AAG
	01-02	86.67	YW3Z54644A18CAG
parchment			
	99	170.00	XW3Z54644A18BAA
	00-02	86.67	YW3Z54644A18CAA
cloth			
prairie tan	98	175.00	F7AZ54644A18AAY
slate blue	98	170.00	F8AZ54644A18BAA
	99	85.00	F8AZ54644A18BAE
	00-02	86.67	YW3Z54644A18CAG
graphite			
	98	170.00	F8AZ54644A18BAE
	99-01	175.00	F8AZ54644A18BAE

1998-02 CROWN VICTORIA

CROWN VICTORIA
REAR WHEEL DRIVE DR2 JA93

SEATS & TRACKS (CONT)

parchment	99	86.67	0.1	XW7Z54611A08CAA
	00-02	25.75	0.1	YW7Z54611A08DAA
cloth				
prairie tan	98	175.00	0.1	F7AZ54611A08AAY
slate blue	98	175.00	0.1	F8AZ54611A08BAA
	99-00	86.67	0.1	XW7Z54611A08BAB
	01-02	25.75	0.1	YW7Z54611A08BAB
graphite	98		0.1	F5AZ54611A08AAU
	99-00	86.67	0.1	XW7Z54611A08BAC
	01-02	25.75	0.1	YW7Z54611A08BAC
parchment	99-00	86.67	0.1	XW7Z54611A08BAA
	01-02	25.75	0.1	YW7Z54611A08BAA
cloth & vinyl				
prairie tan	98	175.00	0.1	F8AZ54611A08BAB
slate blue	98-99	175.00	0.1	F8AZ54611A08BAC
	00-02	25.75	0.1	YW7Z54611A08DAC
graphite	98-99	175.00	0.1	F8AZ54611A08BAE
	00-02	25.75	0.1	YW7Z54611A08DAF
parchment	99	86.67	0.1	XW7Z54611A08CAA
	00-02	25.75	0.1	YW7Z54611A08CAA
22 guide	98-02	1.05		F7OZ54610A18AAA
	00-02	4.18		XW7Z54610A18AAB
23 sleeve	98-02	5.97		F2DZ54610A16A

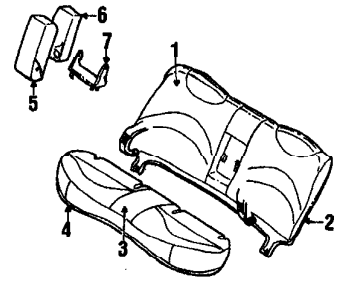


JA98255

FRONT SEAT COMPONENTS POWER DRIVER SIDE

1 Seat back cover				
leather				
prairie tan	98	335.00	1.0	F8MZ5464416BAB
slate blue	98	345.00	1.0	F8MZ5464416BAC
	99	175.00	1.0	F8AZ5464416BAC
	00-02	170.00	1.0	YWZ5464416CAC
graphite	98	335.00	1.0	F8MZ5464416BAE
	99	175.00	1.0	F8AZ5464416BAD
	00-02	175.00	1.0	YWZ5464416CAF
parchment	99	335.00	1.0	XWZ5464416BAA
	00-02	175.00	1.0	YWZ5464416CAA
cloth				
prairie tan	98	345.00	1.0	F7AZ5464416AAY
slate blue	98	345.00	1.0	F8AZ5464416BAA
	99-02	335.00	1.0	F8AZ5464416AAB
graphite	98-99	345.00	1.0	F5AZ5464416AZU
	00-02	335.00	1.0	F8AZ5464416AAC
parchment	99-02	335.00	1.0	XWZ5464416AAD
cloth & vinyl				
prairie tan	98	345.00	1.0	F8AZ5464416CAA
slate blue	98	345.00	1.0	F8AZ5464416CAB
	99	170.00	1.0	F8MZ5464416BDB
	00	345.00	1.0	F8AZ5464416CAB
graphite	98	175.00	1.0	F8AZ5464416CAC
	99	335.00	1.0	F8MZ5464416BDC
	00	175.00	1.0	F8AZ5464416CAC
parchment	99	D170.00	1.0	XWZ5464416BAB
	00	345.00	1.0	XWZ5464416CAA
2 Seat back pad				
base	98-02	136.75		F5AZ5464810A
LX	98-02	53.30		XWZ5464810AA
3 Seat back frame				
w/ lumbar	98-02	119.15		F5AZ5461019B
w/ lumbar	98-02	119.15		F8AZ5461019AA
w/ police package	98-02	123.80		F5AZ5461019C
4 Seat cover				
leather				
prairie tan	98	335.00	1.3	F8MZ5462901BAB
slate blue	98	345.00	1.3	F8MZ5462901BAC
	99	335.00	1.3	F8MZ5462901BCB

	00	170.00	1.3	YWZ5462901CAC
	01-02	175.00	1.3	YWZ5462901FAB
graphite	98	335.00	1.3	F8MZ5462901BAE
	99	335.00	1.3	F8MZ5462901BCC
	00	175.00	1.3	YWZ5462901CAF
	01-02	175.00	1.3	YWZ5462901FAD
parchment	99	335.00	1.3	XWZ5462901BAA
	00	175.00	1.3	YWZ5462901CAA
	01-02	175.00	1.3	YWZ5462901FAA
cloth				
prairie tan	98	170.00	1.3	F7AZ5462901AAY
slate blue	98	345.00	1.3	F8AZ5462901BAA
	99	335.00	1.3	F8AZ5462901AAB
	00	170.00	1.3	XWZ5462901AAB
graphite	01-02	175.00	1.3	YWZ5462901AAB
	98	175.00	1.3	F7AZ5462901AZU
	99	345.00	1.3	F8AZ5462901AAC
	00	170.00	1.3	XWZ5462901AAC
	01-02	175.00	1.3	YWZ5462901AAD
parchment	99	345.00	1.3	XWZ5462901AAD
	00	345.00	1.3	XWZ5462901AAA
	01-02	175.00	1.3	YWZ5462901AAA
cloth & vinyl				
prairie tan	98	175.00	1.3	F8AZ5462901CAA
slate blue	98	175.00	1.3	F8AZ5462901CAD
	99-02	175.00	1.3	F8AZ5462901BAC
graphite	98	175.00	1.3	F8AZ5462901CAC
	99-02	170.00	1.3	F8AZ5462901BAD
	99-02	170.00	1.3	XWZ5462901BAB
5 Seat cushion pad				
base	98-02	157.07	1.3	F8AZ54632A23CA
LX	98-02	38.05	1.3	F8MZ54632A23AA
6 Seat frame				
w/ lumbar	98	87.45		YWZ5463101DA
	99-02	87.45		YWZ5463101CA
w/ lumbar	98	246.78		F7AZ5463101AA
	99-02	85.32		YWZ5463101FB
	98-02	146.32	1.0	F5VY5462849B
7 Recliner				
w/pwr recl & memory	98-02	243.98	0.8	F3LY14547D
w/power recl w/ mem.	98-02	109.16	0.8	F3LY14547B
9 Sensor				
	98-02	25.83		F3LY14C718A
10 Recline cover				
	98-02	6.55		F5AZ5462769A
11 Wire harness				
	98-02	18.93		F8AZ14A699DA
12 Lumbar pump				
	98-02	72.38		FOVY5465530A
13 Switch & wire assembly				
	98-02	17.44		F5AZ14A501B
14 Bezel				
	98-02	5.98		F8VZ14A706CB
15 Switch assy				
	98-01	29.42		XWZ14C715AA
	02			NOT LISTED
	98-02	2.05		F5AZ14D891A
16 Bracket				
	98-02	2.05		F5AZ14D891A
17 Seat switch				
6 way power	98	37.78		F8PZ14A701BA
	99-02	37.17		XWZ14A701AA
18 Bar				
pad deflator	98	14.23		F6VZ5465837AA
19 Headrest				
leather				
prairie tan	98	175.00	0.1	F8AZ54611A08BAB
slate blue	98-99	175.00	0.1	F8AZ54611A08BAC
	00-02	25.75	0.1	YWZ54611A08DAC
graphite	98-99	175.00	0.1	F8AZ54611A08BAE
	00-02	25.75	0.1	YWZ54611A08DAF
parchment	99	86.67	0.1	XWZ54611A08CAA
	00-02	25.75	0.1	YWZ54611A08DAA
cloth				
prairie tan	98	175.00	0.1	F7AZ54611A08AAY
slate blue	98	175.00	0.1	F8AZ54611A08BAA
	99	86.67	0.1	XWZ54611A08BAB
	00-02	25.75	0.1	YWZ54611A08BAE
graphite	98	175.00	0.1	F5AZ54611A08AAU
	99	86.67	0.1	XWZ54611A08BAC
	00-02	25.00	0.1	YWZ54611A08AAD
parchment	99	86.67	0.1	XWZ54611A08BAA
	00-02	25.00	0.1	YWZ54611A08AAA
cloth & vinyl				
prairie tan	98	175.00	0.1	F8AZ54611A08BAB
slate blue	98-99	175.00	0.1	F8AZ54611A08BAC
	00-02	25.75	0.1	YWZ54611A08DAC
graphite	98-99	175.00	0.1	F8AZ54611A08BAE
	00-02	25.75	0.1	YWZ54611A08DAF
parchment	99	86.67	0.1	XWZ54611A08CAA
	00-02	25.75	0.1	YWZ54611A08DAA
20 guide	98-02	1.05		F7OZ54610A18AAA
21 sleeve	98-02	5.97		F2DZ54610A16A



JA98260

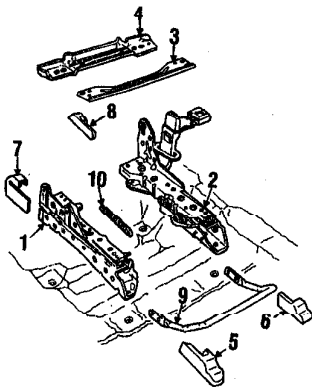
REAR SEAT COMPONENTS

1 Seat back cover				
leather				
prairie tan	98	335.00	2.0	F8MZ5466800BAB
slate blue	98	515.00	2.0	F8MZ5466800BAC
	99	515.00	2.0	F8MZ5466800BDB
	00	175.00	2.0	YWZ5466800DAC
graphite	98	335.00	2.0	F8MZ5466800BAE
	99	500.00	2.0	YWZ5466800DAF
	00	D170.00	2.0	YWZ5466800CAF
parchment	99	500.00	2.0	XWZ5466800BAA
	00	170.00	2.0	YWZ5466800DAA
cloth				
prairie tan	98	345.00	2.0	F8AZ5466800DAB
slate blue	98	345.00	2.0	F8AZ5466800DAB
	99	175.00	2.0	F8AZ5466800AAB
	00-02	175.00	2.0	YWZ5466800AAB
graphite	98	345.00	2.0	F8AZ5466800DAC
	99	335.00	2.0	F8AZ5466800AAC
	00-02	176.00	2.0	YWZ5466800BAD
parchment	99	335.00	2.0	XWZ5466800AAD
	00-02	170.00	2.0	YWZ5466800BAA
cloth & vinyl				
prairie tan	98	175.00	2.0	F8AZ5466800CAD
slate blue	98	345.00	2.0	F8AZ5466800CAE
	99	175.00	2.0	YWZ5466800DAB
	00	345.00	2.0	F8AZ5466800CAE
graphite	98	345.00	2.0	F8AZ5466800CAF
	99	175.00	2.0	YWZ5466800DAB
	00	345.00	2.0	F8AZ5466800CAF
parchment	99	175.00	2.0	YWZ5466800DAA
	00	345.00	2.0	YWZ5466800CAA
2 Seat back pad & frame				
base	98-01	175.00		F8AZ54672A18BA
LX	98-01	175.00		F8MZ54672A18AA
3 Seat cover				
leather				
prairie tan	98	500.00	1.0	F8MZ5463804BAB
slate blue	98	500.00	1.0	F8MZ5463804BAC
	99-00	345.00	1.0	YWZ5463804CAF
graphite	98	500.00	1.0	F8MZ5463804BAE
	99-00	175.00	1.0	YWZ5463804CAJ
parchment	99-00	500.00	1.0	YWZ5463804CAD
cloth				
prairie tan	98	345.00	1.0	F8AZ5463804DAA
slate blue	98	345.00	1.0	F8AZ5463804DAB
	99	335.00	1.0	F8AZ5463804AAB
	00-02	175.00	1.0	YWZ5463804AAC
graphite	98	335.00	1.0	F8AZ5463804DAD
	99	345.00	1.0	F8AZ5463804AAC
	00-02	175.00	1.0	YWZ5463804AAE
parchment	99	335.00	1.0	XWZ5463804AAD
	00-02	170.00	1.0	YWZ5463804AAB
cloth & vinyl				
prairie tan	98	345.00	1.0	F8AZ5463804CAD
slate blue	98	345.00	1.0	F8AZ5463804CAE
	99	345.00	1.0	F8AZ5463804BBA
	00-02	345.00	1.0	F8AZ5463804CAE
graphite	98	345.00	1.0	F8AZ5463804CAF
	99	345.00	1.0	F8AZ5463804BBB
	00-02	345.00		

DR2 JA98

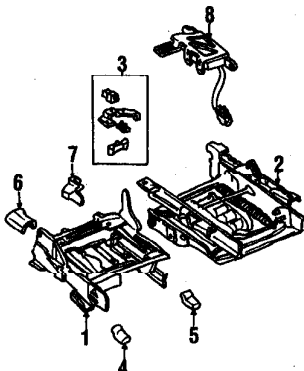
**CROWN VICTORIA
REAR WHEEL DRIVE**

graphite	99	25.75		F8AZ546724AAAB
	00	170.00		F8AZ546724AAAC
	01-02	175.00		YW7Z546724ACAD
parchment	99	25.75		XW7Z546724AAAD
	00	25.75		XW7Z546724AAAD
	01-02	175.00		YW7Z546724ACAA
6 Armrest pad	98-02	58.65		F8AZ546723AAA
7 Support bracket	98-02	65.98		F8AZ5467210AA



JA98265

TRACKS & COMPONENTS MANUAL				
Seat track				
1 driver	98-02R	41.45	1.0	F5AZ546170AAK
2 passenger	98-02L	34.92	1.0	F5AZ546170SAG
	90-02R	29.23	1.0	F7AZ546170AAA
	98-02L	32.63	1.0	F7AZ546170SAA
crossbrace				
3 front	98-99	5.93		F5AZ54617AA6B
4 rear	98-99	D6.07		F5AZ54617AA7B
Cover				
5 front	98 R	2.38	0.1	F6AZ5461749ACQ
6	98 L	2.38	0.1	F6AZ5461749ACQ
	99-02R	2.47	0.1	XW7Z5461749BBC
	99-02L	2.47	0.1	XW7Z5461749BBC
7 rear	98 R	3.33	0.1	FV7Z5461749ACQ
8	98 L	2.15	0.1	FV7Z5461749ACQ
	99-02R	2.40	0.1	XW7Z5461749BBB
	99-02L	2.40	0.1	XW7Z5461749BBB
9 Adjust handle	98-02	2.12		FSY54603A86A
10 Assist spring	98-02	7.45		FOAZ5461828A
1 LABOR: Time is for overhaul.				



JA98270

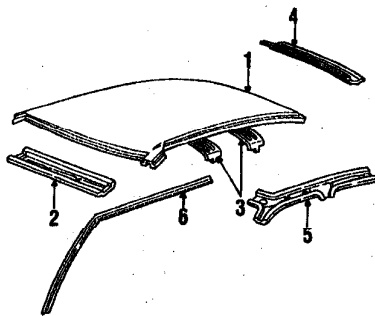
TRACKS & COMPONENTS POWER				
Seat track				
w/o memory	98 R	213.75	1.0	F5AZ5461710A
	98 L	245.90	1.0	XW7Z5461711AA
	99-02R	250.00	1.0	XW7Z5461710AA
	99-02L	245.90	1.0	XW7Z5461711AA
w/o memory, 6 way power				
1 passenger side	98-02R	228.93	1.0	F8AZ5461710AB
2 driver side	98-02L	230.93	1.0	XW1Z5461711AA
3 bracket Assy				
to cushion	98-02	8.65		FSAZ14536B
to seat frame	98-02	8.88		FSAZ14536A
Cover				
4 front	98 R	5.83	0.1	F8AZ5461749AHD
5	98 L	3.53	0.1	F8AZ5461749AHD
	99-02R	2.40	0.1	XW7Z5461749DAB
	99-02L	3.62	0.1	XW7Z5461749DAB
6 rear	98 R	1.77	0.1	F8AZ5461749AAB
7	98 L	5.45	0.1	F8AZ5461749AAB

1998-02 CROWN VICTORIA

99-02R	2.28	0.1	XW7Z5461749CAA
99-02L	2.32	0.1	XW7Z5461749CAA
98-02	151.15		FSY14C708A

8 Regulator
1 LABOR: Time is for overhaul.

ROOF

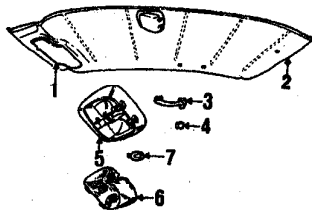


JA98276

R&I headliner	98-02	1.6
---------------	-------	-----

PARTS AND R&R OPERATIONS

ROOF & COMPONENTS				
1 Roof panel	(p3.5) 98-02	321.07	21.0	XWZ5450202AA
2 Windshield header	98-01	67.32	2.0	F2AZ5450308A
3 Reinforcement	98-02	140.17		1W7Z5450244BA
4 Rear header	98-02	31.95	2.5	FSM5442220A
5 Inner rail	98 R	45.00		F8AZ5451180AA
	90 L	44.40		YW7Z5451181AA
	99 R	44.40		YW7Z5451180AA
	99 L	44.40		YW7Z5451181AA
	00-02R	44.40		YW7Z5451180AA
	00-02L	44.40		YW7Z5451181AA
6 Weatherstrip				
w/o police package	98 R	48.50	0.3	F2M5451822A
	98 L	31.08	0.3	F2M5451823A
	99-02R	54.92	0.3	XW7Z5451822AA
	99-02L	54.92	0.3	XW7Z5451823AA
w/police package	98-01R	56.32	0.3	XW7Z5451822BA
	98-01L	56.32	0.3	XW7Z5451823BA
	02 R	45.57	0.3	2W7Z5451822BA
	02 L	45.57	0.3	2W7Z5451823BA
1 LABOR: Time is after roof panel is removed.				
2 PARTS: Part also serviced with center pillar outer panel assembly				



JA98280

INTERIOR TRIM				
Sunvisor				
non illuminated				
prairie tan	98 R	75.58	0.2	F7AZ5404108AA
	98 L	64.92	0.2	YW7Z5404108EAD
slate blue	98-99R	71.93	0.2	F8MZ5404104ABD
	98-99L	99.82	0.2	YW7Z5404105DAC
	00 R	135.12	0.2	XW7Z5404108BAD
	00 L	271.05	0.2	XW7Z5404108BAD
	01-02R	99.82	0.2	1W7Z5404104DAB
	01-02L	99.82	0.2	1W7Z5404105AAB
graphite	98-99R	72.67	0.2	F7MZ5404108AC
	98-99L	99.82	0.2	YW7Z5404105DAE
	00 R	138.57	0.2	XW7Z5404104BAB
	00 L	138.50	0.2	XW7Z5404108BAB
	01-02R	99.82	0.2	1W7Z5404104DAC
	01-02L	99.82	0.2	1W7Z5404105AAC
parchment	99 R	126.73	0.2	XWZ5404104AAA
	90 L	64.92	0.2	YW7Z5404105EAA
	00 R	135.12	0.2	XW7Z5404108AAC
	00 L	64.92	0.2	YW7Z5404105EAA
	01-02R	99.82	0.2	1W7Z5404104DAA
	01-02L	99.82	0.2	1W7Z5404105AAA
illuminated w/o garage door opener				
prairie tan	98 R	135.12	0.2	F8AZ5404104AAA
	98 L	135.12	0.2	F8AZ5404105AAA
slate blue	98-99R	138.50	0.2	F8AZ5404104AAB
	98-99L	135.12	0.2	F8AZ5404105AAB
	00 R	138.48	0.2	XW7Z5404104AAD

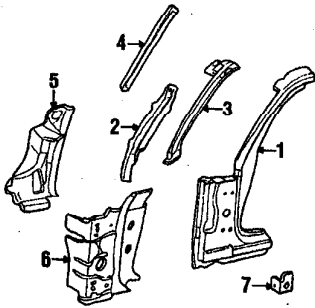
00 L	135.10	0.2	XW7Z5404105AAD	
01-02R	99.82	0.2	1W7Z5404104CAB	
01-02L	99.82	0.2	1W7Z5404105BAB	
graphite	98-99R	138.50	0.2	F8AZ5404104AAC
	98-99L	138.50	0.2	F8AZ5404105AAC
	00 R	138.48	0.2	XW7Z5404104AAB
	00 L	138.48	0.2	XW7Z5404105AAB
	01-02R	99.82	0.2	1W7Z5404104CAC
	01-02L	99.82	0.2	1W7Z5404105CAC
parchment	99 R	138.48	0.2	XW7Z5404104BAA
	99 L	138.50	0.2	XW7Z5404105BAB
	00 R	138.50	0.2	XW7Z5404104AAC
	00 L	138.50	0.2	XW7Z5404105AAC
	01-02R	99.82	0.2	1W7Z5404104CAA
	01-02L	99.82	0.2	1W7Z5404105BAA
illuminated w/garage door opener				
prairie tan	98 R	135.12	0.2	F8AZ5404104AAA
	98 L	277.22	0.2	F8AZ5404105BAA
slate blue	98-99R	138.50	0.2	F8AZ5404104AAB
	98-99L	293.20	0.2	F8AZ5404105BAB
	00 R	138.48	0.2	XW7Z5404104AAD
	00 L	277.15	0.2	XW7Z5404105BAE
	01-02R	99.82	0.2	1W7Z5404104CAB
	01-02L	350.22	0.2	1W7Z5404105CAB
graphite	98-99R	138.50	0.2	F8AZ5404104AAC
	98-99L	286.05	0.2	F8AZ5404105BAC
	00 R	138.48	0.2	XW7Z5404104AAB
	00 L	277.15	0.2	XW7Z5404105BAC
	01-02R	99.82	0.2	1W7Z5404104CAA
	01-02L	350.22	0.2	1W7Z5404105CAA
parchment	99 R	138.48	0.2	XW7Z5404104BAA
	99 L	270.95	0.2	XW7Z5404105BAA
	00 R	138.50	0.2	XW7Z5404104AAC
	00 L	271.05	0.2	XW7Z5404105BAA
	01-02R	99.82	0.2	1W7Z5404104CAA
	01-02L	350.22	0.2	1W7Z5404105CAA
2 Headliner				
w/o illuminated visor				
prairie tan	98	430.08	1.6	F7AZ5451916AAA
slate blue	98-99	430.08	1.6	F8AZ5451916BAB
	00	419.60	1.6	XW7Z5451916BAD
	01-02	409.37	1.6	1W7Z5451916AAB
graphite	98-99	430.08	1.6	FSM5451916BA9
	00	409.37	1.6	XW7Z5451916BAB
	01-02	409.37	1.6	1W7Z5451916AAC
parchment	99	430.08	1.6	XW7Z5451916AAA
	00	419.60	1.6	XW7Z5451916BAA
	01-02	419.60	1.6	1W7Z5451916AAA
w/illuminated visor				
prairie tan	98	430.08	1.6	F8AZ5451916AAA
slate blue	98-99	419.60	1.6	F8AZ5451916BAB
	00	409.37	1.6	XW7Z5451916AAC
	01-02	640.63	1.6	1W7Z5451916BAB
graphite	98-99	430.08	1.6	F8AZ5451916AAC
	00	419.60	1.6	XW7Z5451916AAD
	01-02	640.63	1.6	1W7Z5451916BAC
parchment	99	430.08	1.6	XW7Z5451916AAA
	00	419.60	1.6	XW7Z5451916BAA
	01-02	419.60	1.6	1W7Z5451916BAA
3 Grip handle				
front				
prairie tan	98 B	50.43	0.1	F7AZ5431406AAA
slate blue	98-99B	50.43	0.1	F8AZ5431406AAA
	00-02B	50.43	0.1	XW7Z5431406AAE
graphite	98-99B	53.23	0.1	FSAZ5431406AEU
	00-01B	50.43	0.1	XW1Z5431406AAF
parchment	99 B	50.43	0.1	XW7Z5431406AAB
	00-02B	50.43	0.1	XW7Z5431406AAD
rear				
prairie tan	98 R	50.43	0.1	F7AZ5431406BAA
	98 L	50.43	0.1	F7AZ5431407BAA
slate blue	98-99R	50.43	0.1	F8AZ5431406BAA
	98-99L	50.43	0.1	F8AZ5431407BAA
	00-02R	50.43	0.1	XW7Z5431406BAJ
	00-02L	50.43	0.1	XW7Z5431407AAC
graphite	98-99R	53.23	0.1	FSAZ5431406BFU
	98-99L	53.23	0.1	FSAZ5431407BFU
	00-02R	50.43	0.1	XW7Z5431408BAK
	00-02L	50.43	0.1	XW7Z5431407AAD
parchment	99 R	50.43	0.1	XW7Z5431408AAB
	99 L	50.43	0.1	XW7Z5431407AAB
	00-02R	50.43	0.1	XW7Z5431408AAB
	00-02L	50.43	0.1	XW7Z5431407AAB
4 Cover				
Coat hook				
	98-02B	8.40	0.1	F8AZ5426024AB
5 Dome lamp Assy				
	98-02	28.07	0.4	F7AZ137768A
6 Lens				
	98-02	18.55		F1TZ13783A
7 Bulb				
	98-02	.88		C7S213468B
PARTS: Order by color & application.				

Please contact our Product Support Group if you require assistance locating, interpreting or using any information contained in the Estimating Data. Toll Free Number: 1-800-426-6867.

1998-02 CROWN VICTORIA

CROWN VICTORIA
REAR WHEEL DRIVE DR2 JA98

PILLARS, ROCKER & FLOOR



JA98285

REFINISHING NOTES

Add for stone guard if required. See Guide to Estimating.

SECTIONING OPERATIONS

Setn entr pnr & rocker

rocker panel			
front	98-02B	p1.0	6.2
rear	98-02B	p1.0	6.0
center pillar	98-02B	p1.5	8.0

PARTS AND R&R OPERATIONS

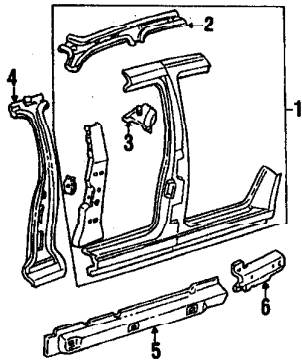
HINGE PILLAR

1 Hinge pillar	(p1.0) 98-02R	146.38#	6.5	XW7Z54025A00AA
	(p1.0) 98-02L	146.38#	6.5	XW7Z54025A01AA

2 W/shield pillar				
inner	98-00R	23.97	2.5	F2AZ5402504A
	98-00L	37.10	2.5	F2AZ5402505A
	01-02R	34.38	2.5	1W1Z5402504AA
	01-02L	36.38	2.5	1W1Z5402505AA
3 outer	98-00R	47.32	2.5	F2AZ5402508A
	98-00L	54.43	2.5	F2AZ5402509A
	01-02R	54.43	2.5	1W1Z5402508AA
	01-02L	54.43	2.5	1W1Z5402509AA
4 seal	98-02R	13.90		F2AZ5402594A
	98-02L	4.43		F2AZ5402595A
5 Side panel	98-00R	51.77#	2.5	F8AZ5402038AA
	98-00L	51.77#	2.5	F8AZ5402039AA
	01-02R	39.80#	2.5	1W1Z5402038AA
	01-02L	51.77#	2.5	F8AZ5402039AA

Reinforcement				
6 on body	98-02R	52.68		F8AZ5422842AA
	98-02L	52.68		F8AZ5422843AA
7 on hinge pillar	98-02R	26.62		F8AZ54204A06AA
	98-02L	6.47		F8AZ54204A07AA

LABOR: Time is after all necessary parts are removed.



JA98490

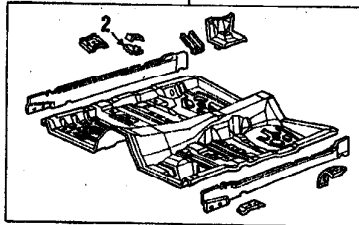
CENTER PILLAR & ROCKER

1 Center pillar				
w/outer rocker	(p2.5) 98-02R	292.25#	16.5	F8AZ5424300AA
	(p2.5) 98-02L	292.25#	16.5	F8AZ5424301AA
2 Inner rail	98-02B			SEE FOOTNOTE
3 Seat belt anchor	98-02R	D6.56#		XW1Z54602A04AA
	98-02L	D6.56#		XW1Z54602A05AA
4 Inner pillar	98-01R	50.98		F2AZ5424300AA
	98-01L	50.98		F2AZ5424301A
	01-02R	51.60		1W1Z5424300AA
	01-02L	51.60		1W1Z5424301AA
5 Rocker reinf	98-02R	68.78		F8AZ5420402AA
	98-02L	68.78		F8AZ5420403AA
6 Extension	98-02R	17.00		F8AZ5420428AA
	98-02L	33.83		F8AZ5420429AA

LABOR: Time is for complete assembly, after necessary bolted on on parts are removed.

1 PARTS: Part also serviced with inner pillar.

PARTS: Part listed in ROOF group. Part also serviced with center pillar.



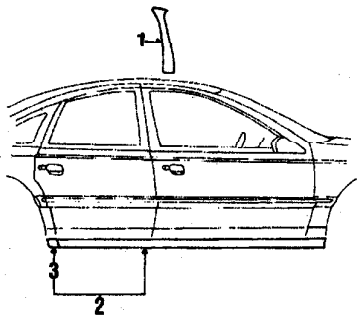
JA98495

FLOOR

1 Floor pan	98-00	372.05#	20.0	F8AZ5411135AA
	01	326.80#	20.0	1W7Z5411135AA
w/o LX sport	02	326.80		1W7Z5411135AA
w/LX sport	02	461.83		2W7Z5411135BA

2 Retainer	98-02	D19.02		D8AZ54113A68C
------------	-------	--------	--	---------------

LABOR: Time is after all necessary parts are removed.



JA98290

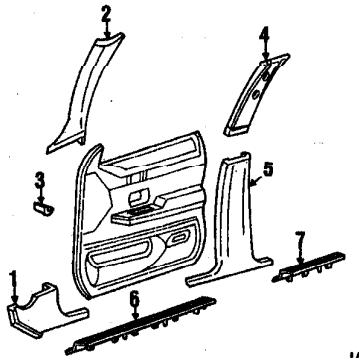
EXTERIOR TRIM

1 Applique panel	98-02R	16.15	0.4	F8AZ54243800AA
	98-02L	16.15	0.4	F8AZ54243801AA

2 Rocker molding				
complete	98-00R	35.82#	0.4	1W7Z5410176AA
	98-00L	36.97#	0.4	1W7Z5410177AA
	01 R	35.82#	0.4	1W7Z5410176AA
	01 L	36.97#	0.4	1W7Z5410177AA
	02 R	67.42#	0.4	2W7Z5410176AA
	02 L	67.42#	0.4	2W7Z5410177AA
3 rear	98-02R	9.87#	0.1	F8AZ54101C48AA
	98-02L	9.82#	0.1	F8AZ54101C49AA
retainer	98-02B	3.00		F8AZ54101B2AA

PARTS: Part includes front and rear moldings and attaching parts.

1 PARTS: Part includes attaching parts.



JA98295

INTERIOR TRIM

1 Kick panel				
prairie tan	98 R	34.20	0.3	F8AZ5402344BA
	98 L	34.20	0.3	F8AZ5402345BA
slate blue	98-02R	34.20	0.3	F8AZ5402344BA
	98-02L	33.38	0.3	F8AZ5402345BA
graphite	98-02R	34.20	0.3	F8AZ5402344BA
	98-02L	33.38	0.3	F8AZ5402345BA
parchment	99-02R	11.05	0.3	XW7Z5402344AA
	99-02L	14.20	0.3	XW7Z5402345AA

W/S pillar trim

w/spot lamp				
prairie tan	98 R	69.18	0.3	F7AZ5403598AAA
	98 L	64.95	0.3	F7AZ5403599AAA
slate blue	98-01R	64.95	0.3	F8AZ5403598AAA
	98-01L	64.95	0.3	F8AZ5403599AAA
	02 R		0.3	NOT LISTED
	02 L		0.3	NOT LISTED
graphite	98-01R	75.90	0.3	F5AZ5403598F
	98-01L	73.05	0.3	F5AZ5403599F
	02 R		0.3	NOT LISTED
	02 L		0.3	NOT LISTED
parchment	99-01R	22.62	0.3	XW7Z5403598AAA
	99-01L	22.62	0.3	XW7Z5403599AAA
	02 R		0.3	NOT LISTED
	02 L		0.3	NOT LISTED
oxford white	02 R	23.88	0.3	1W7Z5403598AAD
	02 L	37.60	0.3	1W7Z5403599AAD

w/spot lamp				
prairie tan	98 R	66.58	0.3	F8AZ5403598BA
	98 L	66.58	0.3	F8AZ5403599BA
slate blue	98-01R	66.58	0.3	F8AZ5403598BA
	98-01L	66.58	0.3	F8AZ5403599BA
	02 R		0.3	NOT LISTED
	02 L		0.3	NOT LISTED
graphite	98-01R	66.58	0.3	F8AZ5403598BAC
	98-01L	66.58	0.3	F8AZ5403599BAC
	02 R		0.3	NOT LISTED
	02 L		0.3	NOT LISTED
parchment	99-01R	22.62	0.3	XW7Z5403598BAA
	99-01L	22.62	0.3	XW7Z5403599BAA
	02 R		0.3	NOT LISTED
	02 L		0.3	NOT LISTED
retainer	98-02R	6.00		F2AZ5403700A
	98-02L	8.55		F2AZ5403701A

Center pnr trim				
upper				
prairie tan	98 R	22.18	0.3	F7AZ5424348BCJ
	98 L	25.50	0.3	F7AZ5424347BCJ
slate blue	98-00R	37.67	0.3	F8AZ5424348BAA
	98-00L	37.67	0.3	F8AZ5424347BAA
	01-02R	15.70	0.3	1W7Z5424348AAB
	01-02L	15.70	0.3	1W7Z5424347AAB
graphite	98-00R	36.11	0.3	F5AZ5424348BBT
	98-00L	36.11	0.3	F5AZ5424347BBT
	01-02R	15.70	0.3	1W7Z5424348AAD
	01-02L	15.70	0.3	1W7Z5424347AAD
parchment	99-00R	33.50	0.3	XW7Z5424348BAA
	99-00L	33.50	0.3	XW7Z5424347BAA
	01-02R	15.70	0.3	1W7Z5424348AAA
	01-02L	15.70	0.3	1W7Z5424347AAA

5 lower

prairie tan	98 R	40.13	0.3	F7AZ5424346ACJ
	98 L	38.98	0.3	F7AZ5424347ACJ
slate blue	98-02R	36.22	0.3	F8AZ5424348AAA
	98-02L	34.57	0.3	F8AZ5424347AAA
graphite	98-02R	40.03	0.3	F5AZ5424348ABT
	98-02L	40.92	0.3	F5AZ5424347ABT
parchment	99-02R	34.57	0.3	XW7Z5424348AAA
	99-02L	34.57	0.3	XW7Z5424347AAA

6 sill plate

front				
prairie tan	98 R	18.75	0.3	F8AZ5413208AAB
	98 L	22.20	0.3	F8AZ5413208AAB
slate blue	98-01R	23.75	0.3	F7AZ5413208AHL
	98-01L	11.25	0.3	2W7Z5413208AAD
	02 R	11.25	0.3	2W7Z5413208AAD
	02 L	11.25	0.3	2W7Z5413208AAD
graphite	98-01R	18.75	0.3	F8AZ5413208AAA
	98-01L	18.75	0.3	F8AZ5413208AAA
	02 R	11.25	0.3	2W7Z5413208AAB
	02 L	11.25	0.3	2W7Z5413208AAB
parchment	99-01R	11.25	0.3	XW7Z5413208AAA
	99-01L	10.93	0.3	XW7Z5413208AAA
	02 R	11.25	0.3	2W7Z5413208AAA
	02 L	11.25	0.3	2W7Z5413208AAA

7 rear

prairie tan	98 R	22.80	0.3	F7AZ5413228AAA
	98 L	22.80	0.3	F7AZ5413229AAA
slate blue	98-01R	7.80	0.3	F7AZ5413228AAE
	98-01L	20.45	0.3	F7AZ5413229AAE
	02 R	10.85	0.3	2W7Z5413228BAD
	02 L	10.85	0.3	2W7Z5413229BAD
graphite	98-01R	7.80	0.3	F7AZ5413228AAD
	98-01L	15.78	0.3	F7AZ5413229AAD
	02 R	10.85	0.3	2W7Z5413228BAB
	02 L	10.85	0.3	2W7Z5413229BAB
parchment	99-01R	7.80	0.3	XW7Z5413228AAG
	99-01L	7.80	0.3	XW7Z5413229AAG
	02 R	10.85	0.3	2W7Z5413228BA
	02 L	10.85	0.3	2W7Z5413229BA

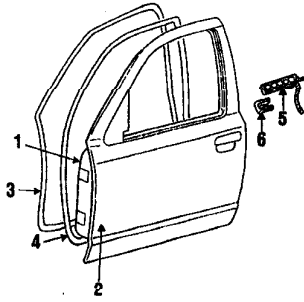
DR2 JA98

**CROWN VICTORIA
REAR WHEEL DRIVE**

1998-02 CROWN VICTORIA

FRONT DOOR

Except Door Shell or Door Outer Panel R&R, all operation times in the following group are after door trim panel is removed.



JA98300

REFINISHING NOTES

Add for stone guard if required. See Guide to Estimating.

Refn door shell		
exterior surface only	98-02	p.2.2
edges	98-02	p.5
inner panel	98-02	p.5
Refn outer panel		
exterior surface only	98-02	p.2.2
edges	98-02	p.5
inner panel	98-02	p.5

ADD IF REQUIRED

R&R door shell		
add for remote mirror	98-02B	0.3
add for power units	98-02	0.4
R&R outer panel		
add for remote mirror	98-02B	0.3
add for power units	98-02	0.4

R&I OPERATIONS

R&I door Assy	98-02B	1.3
R&I trim panel	98-02B	0.4

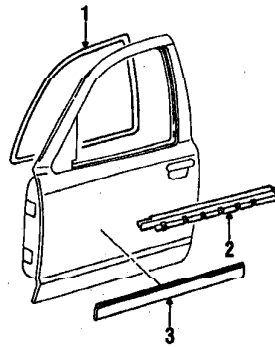
PARTS AND R&R OPERATIONS

DOOR & COMPONENTS

1 Door shell						
w/o keyless entry						
(p.3.2)	98-00R	594.00	5.0	YW7Z5420124AA		
(p.3.2)	98-00L	594.00	5.0	YW7Z5420125AA		
(p.3.2)	01-02R	594.00	5.0	YW7Z5420124AA		
(p.3.2)	01-02L	594.00	5.0	YW7Z5420125AA		
w/keyless entry						
(p.3.2)	98-00R	594.00	5.0	YW7Z5420124AA		
(p.3.2)	98-00L	565.40#	6.0	YW7Z5420125BA		
(p.3.2)	01-02R	594.00	5.0	YW7Z5420124AA		
(p.3.2)	01-02L	565.40#	6.0	YW7Z5420125BA		
2 Outer panel						
w/o keyless						
(p.2.2)	98-00R	164.95	6.5	YW7Z5420200AA		
(p.2.2)	98-00L	133.88	6.5	YW7Z5420201AA		
(p.2.2)	01-02R	164.95	6.5	YW7Z5420200AA		
(p.2.2)	01-02L	133.88	6.5	YW7Z5420201AA		
w/keyless						
(p.2.2)	98-00R	164.95	6.5	YW7Z5420200AA		
(p.2.2)	98-00L	133.88#	7.5	YW7Z5420201BA		
(p.2.2)	01-02R	164.95	6.5	YW7Z5420200AA		
(p.2.2)	01-02L	133.88#	7.5	YW7Z5420201BA		
Intrusion bar						
	98-01R	D54.00†	1.5	F2AZ5421204A		
	98-01L	D53.27†	1.5	F2AZ5421205A		
	02 R	†	1.5	NOT LISTED		
	02 L	†	1.5	NOT LISTED		
3 Weatherstrip on body						
	prairie tan	98 R 41.68	0.5=	F7AZ5420708AAA		
	slate blue	98 L 41.68	0.5=	F7AZ5420709AAA		
		98 R 45.57	0.5	F8AZ5420708AAA		
		98 L 45.57	0.5	F8AZ5420709AAA		
		99 R 45.57	0.5	XW7Z5420708AAC		
		99 L 45.57	0.5	XW7Z5420709AAC		
	graphite	98 R 39.32	0.5	FSAZ5420708C		
		98 L 38.33	0.5	FSAZ5420709C		
		99 R 44.43	0.5	XW7Z5420708AAD		
		99 L 44.43	0.5	XW7Z5420709AAD		
	black (police)	98 R 33.75	0.5	F7AZ5420708AAA		
		98 L 49.12	0.5	F7AZ5420709AAA		
	parchment	99 R 44.43	0.5	XW7Z5420708AAB		
		99 L 45.57	0.5	XW7Z5420709AAB		
	black	99-02R 45.57	0.5	XW7Z5420708AAA		
		99-02L 45.57	0.5	XW7Z5420709AAA		
	on door	98 R 59.02	0.5	F2AZ5420530B		
		98 L 59.02	0.5	F2AZ5420531B		
		99-02R 33.35	0.5=	XW7Z5420530AA		
		99-02L 33.35	0.5=	XW7Z5420531AA		
5 Keyless lock pad						
		98-00	71.88	0.2	XW3Z14A626AA	

6 retainer	01-02	33.33	0.2	1F2Z14A628AAA
	98-02	4.73		EB0Z14A667A

LABOR: Time is after outer panel is removed.
LABOR: R&R includes keyless lock pad and module.

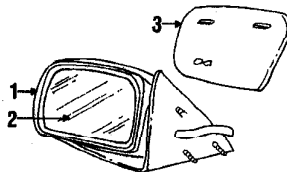


JA98500

EXTERIOR TRIM

1 Reveal molding						
	98-02R	83.48	0.5	F8AZ5420550AAA		
	98-02L	83.48	0.5	F8AZ5420551AAA		
2 Bolt w/strip						
	98-02R	22.12†	0.3=	F8AZ5421452AAA		
	98-02L	22.87†	0.3=	F8AZ5421453AAA		
3 Body side mold						
2 1/2" adhesive type						
	cream yellow	98-02B	74.93†	0.3	F8AZ5420878BAA	
	toreador red	98-02B	74.93†	0.3	F8AZ5420878BAC	
	black	98-02B	74.93†	0.3	F8AZ5420878BAL	
	white	98-02B	73.93†	0.3	F8AZ5420878BAN	
	light gray	98-L2B	74.93†	U.3	F8AZ5420878BAJ	
	brown metallic	98-02B	74.93†	0.3	F8AZ5420878BAB	
	silver frost	98-02B	74.93†	0.3	F8AZ5420878BAP	
	spruce green	98-02B	74.93†	0.3	F8AZ5420878BAT	
	harvest gold	00-02B	46.13†	0.3	XW7Z5420878BBA	
	wedgewood	00-02B	46.13†	0.3	XW7Z5420878BBC	
	light blue	01-02B	46.13†	0.3	XW7Z5420878BBB	
	tropic green	01-02B	45.52†	0.3	YW7Z5420878BAA	
	arizona beige	02 B	72.62†	0.3	F8AZ5420878BAV	
	dark blue	02 B	74.93†	0.3	F8AZ5420878BAD	
	titanium	02 B	74.93†	0.3	F8AZ5420878BAM	
	yellow	02 B	72.62†	0.3	F8AZ5420878BAK	
3 1/4" adhesive type						
	prairie tan	98 R	74.93†	0.3	F8AZ5420878AAA	
		98 L	74.93†	0.3	F8AZ5420878AAA	
	toreador red	98-02R	74.93†	0.3	F8AZ5420878AAB	
		98-02L	74.93†	0.3	F8AZ5420878AAB	
	wedgewood blue	98 R	74.93†	0.3	F8AZ5420878AAC	
		98 L	74.93†	0.3	F8AZ5420878AAC	
	denim blue	98 R	74.93†	0.3	F8AZ5420878AAD	
		98 L	74.93†	0.3	F8AZ5420878AAD	
	dark green	98-99R	74.93†	0.3	F8AZ5420878AAE	
		98-99L	74.93†	0.3	F8AZ5420878AAE	
	spruce green	98-02R	74.93†	0.3	F8AZ5420878AAF	
		98-02L	74.93†	0.3	F8AZ5420878AAF	
	black	98-02R	74.93†	0.3	F8AZ5420878AAF	
		98-02L	74.93†	0.3	F8AZ5420878AAF	
	white	98-02R	74.93†	0.3	F8AZ5420878AAH	
		98-02L	74.93†	0.3	F8AZ5420878AAH	
	silver frost	98-02R	74.93†	0.3	F8AZ5420878AAJ	
		98-02L	74.93†	0.3	F8AZ5420878AAJ	
	medium gray	98-02R	74.93†	0.3	F8AZ5420878AAK	
		98-02L	74.93†	0.3	F8AZ5420878AAK	
	harvest gold	99-02R	75.63†	0.3	XW7Z5420878AAA	
		99-02L	75.63†	0.3	XW7Z5420878AAA	
	light blue	99-02R	75.63†	0.3	XW7Z5420878AAB	
		99-02L	75.63†	0.3	XW7Z5420878AAB	
	deep wedgewood	99-02R	75.63†	0.3	XW7Z5420878AAC	
		99-02L	75.63†	0.3	XW7Z5420878AAC	
	arizona beige	02 R	72.17†	0.3	YW7Z5420878AAA	
		02 L	72.32†	0.3	YW7Z5420878AAB	
	tropic green	01-02R	72.17†	0.3	YW7Z5420878AAA	
		01-02L	74.63†	0.3	YW7Z5420878AAA	
	chestnut	02 R	72.17†	0.3	YW7Z5420878AAC	
		02 L	74.63†	0.3	YW7Z5420878AAC	

LABOR: Order by color.
LABOR: Does not include time to gain access.

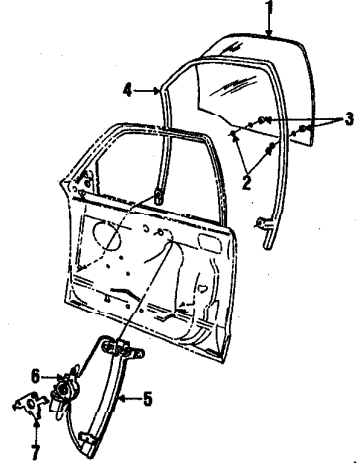


JA98505

OUTSIDE MIRRORS

1 Mirror Assy	(p.5)	98 01R	120.83	0.3	F8AZ17682AA
---------------	-------	--------	--------	-----	-------------

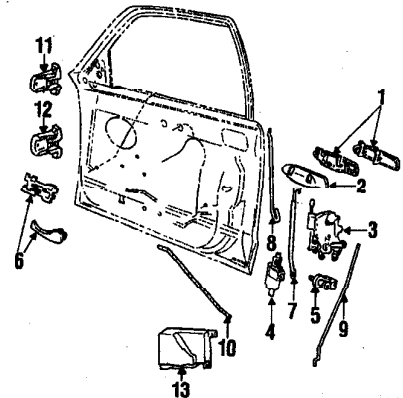
2 Glass	(p.5)	98-01L	117.88	0.3	F8AZ17682BA
	(p.5)	02 R	111.23	0.3	2W7Z17682CA
	(p.5)	02 L	111.23	0.3	2W7Z17682CA
3 Cover		98-01R	42.03		F8AZ17K707AA
		98-01L	46.27		F8AZ17K707BA
		02 R	42.03		1W7Z17K707AA
		02 L			1W7Z17K707BA
Access cover	(p.5)	98-01R	23.23		YW7Z17D742DA
	(p.5)	98-01L	28.48		YW7Z17D743DA
	(p.5)	02 R			1W7Z17D742DA
	(p.5)	02 L			1W7Z17D743DA
6 Retainer	(p.5)	98-02R	6.28		F2AZ17E880A
	(p.5)	98-02L	6.28		F2AZ17E881A



JA98305

GLASS & HARDWARE

1 Glass						
	Ford	98-02R	126.98	0.7	F5AZ5421410A	
		98-02L	126.98	0.7	F5AZ5421411A	
	NAGS	98-02R	338.60	0.7	DD06826GTN	
		98-02L	338.60	0.7	DD06827GTN	
2 Spacer						
		98-02	1.59		DSAZ542344AAA	
3 Retainer						
		98-02	1.57		DSAZ542344AAA	
4 Run channel						
		98-02R	119.07	0.6	F8AZ5421580AA	
		98-02L	131.45	0.6	F8AZ5421587AA	
5 Regulator						
		98-02R	62.50	0.8	1W7Z542320AAA	
6 Motor						
		98 R	132.60	0.8	F2YF5423395B	
		98 L	170.65	0.8	F2YF5423394B	
		99-02R	53.43	0.8	1W7Z5423384BA	
		99-02L	53.43	0.8	1W7Z5423384BA	
7 Bracket						
		98-02R	20.40		F2AZ5423384A	
		98-02L	20.40		F2AZ5423386A	



JA98310

LOCK & HARDWARE

1 Handle, outside						
		98 R	22.80	0.6=	XW7Z5422404BA	
		98 L	22.80	0.6=	XW7Z5422405BA	
	w/o police package	99-00R	22.80	0.6	XW7Z5422404BA	
		99-00L	22.80	0.6	XW7Z5422405BA	
		01-02R	22.80	0.6	YW7Z5422404CA	
		01-02L	22.80	0.6	YW7Z5422405CA	
	w/police package	99-00R	22.80	0.6	XW7Z5422404AAA	
		99-00L	22.80	0.6	XW7Z5422405AAA	
		01-02R	22.80	0.6	XW7Z5422404AAA	
		01-02L	22.80	0.6	YW7Z5422405AAA	

CONTINUED

Please contact our Product Support Group if you require assistance locating, interpreting or using any information contained in the Estimating Data. Toll Free Number: 1-800-426-6867.

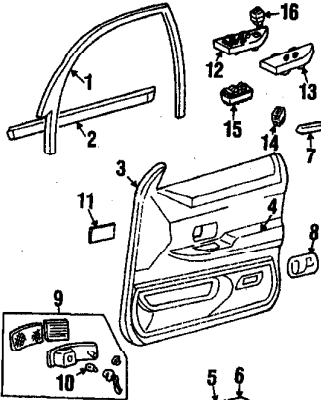
1998-02 CROWN VICTORIA

CROWN VICTORIA
REAR WHEEL DRIVE DR2 JA98

FRONT DOOR (CONT)

2	pad	98-02B	49.43	0.4=	SEE FOOTNOTE
3	Latch Assy	98-02K	48.80	0.4=	F8AZ5421812AA
		98-02L	67.00	0.3=	F8AZ5421813AA
4	Actuator	98-02B	67.00	0.3=	F8AZ5421814AA
5	Striker	98-02B	12.73	0.2=	F2AZ5422008A
	Lock cylinder	98-02R	49.77	0.2=	F8AZ5421990AA
		98-02L	51.02	0.2=	F8AZ5421991AA
	retainer	98-02B	5.00		F8AZ5422023AA
6	Handle, inside				
	prairie tan	98 R	13.05	0.3	F7AZ5421818AAA
		98 L	23.33	0.3	F7AZ5421819AAA
	slate blue	98-02R	13.05	0.3	F8AZ5421818AAA
		98-02L	13.05	0.3	F8AZ5421819AAA
	graphite	98-02R	18.13	0.3	F5AZ5421818C
		98-02L	18.13	0.3	F5AZ5421819C
	parchment	99-01R	12.53	0.3	XW7Z5421818AAA
		99-01L	12.53	0.3	XW7Z5421819AAA
	black	99-02R	12.53	0.3	XW7Z5421818AAC
		99-02L	12.53	0.3	XW7Z5421819AAC
	Control rod				
7	outside handle	98-02R	8.08	0.2	F2AZ5422152A
		98-02L	8.08	0.2	F2AZ5422153A
8	lock cylinder	98-02R	29.52	0.2	F2AZ5422134A
		98-02L	5.45	0.2	F2AZ5422136A
9	lock knob	98 R	10.98	0.2	F5AZ5421850A
		98 L	10.98	0.2	F5AZ5421851A
		99 R	5.25	0.2	XW7Z5421850AA
		99 L	5.25	0.2	XW7Z5421851AA
		00-02R	6.83	0.2	YW7Z5421850AA
		00-02L	6.83	0.2	YW7Z5421851AA
10	inside handle	98 R	12.08	0.2	F2AZ5421940A
		98 L	7.40	0.2	F2AZ5421941A
		99-02R	7.80	0.2	XW7Z5421940AA
		99-02L	7.80	0.2	XW7Z5421941AA
	Hinge				
11	upper	(p.3) 98-02B	21.35@	0.4	F8AZ5422800AA
12	lower	(p.3) 98-02B	30.00@	0.4	F8AZ5422810AA
13	Module				
	remote keyless entry	98	129.00	0.8	F8AZ15K602AA
		99-02	129.00	0.8	XW7Z15K602AA

† PARTS: Part included with handle.
② LABOR: Time is after door and kick panel are removed.



JA98315

INTERIOR TRIM

1	Window trim	98-01R	43.22	0.3=	F7AZ5420890AAA
		98-01L	44.60	0.3=	F7AZ5420891AAA
2	Belt w/strip	98-01R	29.57		F4AZ5421456A
		98-01L	29.57		F4AZ5421457A
3	Door trim panel				
	w/o power seat switch				
	prairie tan	98 R	823.93†	0.6	F8AZ5423942CAD
		98 L	823.93†	0.6	F8AZ5423943CAD
	slate blue	98 R	856.07†	0.6	F8AZ5423942CAA
		98 L	856.07†	0.6	F8AZ5423943CAA
		99 R	284.50†	0.6	XW7Z5423942AAB
		99 L	284.50†	0.6	XW7Z5423943AAB
		00-02R	478.72†	0.6	YW7Z5423942CAB
		00-02L	478.72†	0.6	YW7Z5423943CAB
	graphite	98 R	784.23†	0.6	F8AZ5423942CAC
		98 L	856.07†	0.6	F8AZ5423943CAC
		99 R	273.83†	0.6	XW7Z5423942AAC
		99 L	284.50†	0.6	XW7Z5423943AAC
		00-02R	490.68†	0.6	YW7Z5423942CAC
		00-02L	478.72†	0.6	YW7Z5423943CAC
	parchment	99 R	277.57†	0.6	XW7Z5423942AAA
		99 L	277.57†	0.6	XW7Z5423943AAA
		00-02R	490.68†	0.6	YW7Z5423942CAA
		00-02L	490.68†	0.6	YW7Z5423943CAA
	w/power seat switch				
	prairie tan	98 R	784.23†	0.6	F8AZ5423942AAD
		98 L	856.07†	0.6	F8AZ5423943AAD
	slate blue	98 R	803.83†	0.6	F8AZ5423942AAA

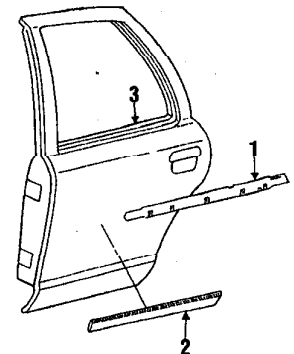
98 L	823.93†	0.6	F8AZ5423943AAA
99 R	284.50†	0.6	XW7Z5423942AAB
99 L	284.50†	0.6	XW7Z5423943AAB
00-02R	478.72†	0.6	YW7Z5423942CAB
00-02L	478.72†	0.6	YW7Z5423943CAB
98 R	814.82†	0.6	F8AZ5423942AAC
98 L	856.07†	0.6	F8AZ5423943AAC
99 R	273.83†	0.6	XW7Z5423942AAC
99 L	284.50†	0.6	XW7Z5423943AAC
00-02R	490.68†	0.6	YW7Z5423942CAC
00-02L	478.72†	0.6	YW7Z5423943CAC
99 R	277.57†	0.6	XW7Z5423942AAA
99 L	277.57†	0.6	XW7Z5423943AAA
00-02R	490.68†	0.6	YW7Z5423942CAA
00-02L	490.68†	0.6	YW7Z5423943CAA
4	Armrest pad		
	prairie tan	98 R	71.55#
		98 L	71.55#
	slate blue	98-02R	71.55#
		98-02L	71.55#
	graphite	98-02R	74.42#
		98-02L	71.55#
	parchment	99-02R	18.90#
		00-02L	18.90#
	Cover		
5	fuel door release		
	prairie tan	98	9.65
	slate blue	98-02	9.65
	graphite	98-02	10.22
	parchment	99-02	3.20
6	deck lid release		
	prairie tan	98	9.65
	slate blue	98-02	9.65
	graphite	98-02	10.22
	parchment	99-02	3.20
7	pull handle retainer	98-02R	3.32
		98-02L	3.32
8	Pull pocket		
	prairie tan	98 R	10.85
		98 L	10.85
	slate blue	98 R	10.85
		98 L	10.85
		99-02R	5.55
		99-02L	5.55
	graphite	98 R	10.48
		98 L	10.48
		99-02R	5.70
		99-02L	5.70
	parchment	99-02R	6.72
		99-02L	6.42
9	Courtesy lamp	98 R	8.12
		98 L	8.12
		99-02R	12.00
		99-02L	12.32
10	Bulb	98-02B	1.52
11	Cover	98-02B	
12	Switch housing	98-02R	25.40†
13		98-02L	25.40†
	Window switch		
14	prairie tan	98 R	13.93
		98 L	35.90
15	slate blue	98 R	13.93
		98 L	37.07
	graphite	98 R	13.35
		98 L	35.50
	black	98 R	13.93
		98 L	37.07
	w/o police package	99-02R	32.42
		99-02L	35.52
	w/police package	99-02R	32.42
		99-02L	35.52
16	Mirror switch	98-02	43.42

† LABOR: Time included with door trim panel R&R.
‡ PARTS: Order by color & application.

REAR DOOR

Except Door Shell or Door Outer Panel R&R, all operation times in the following group are after door trim panel is removed.

98 R	823.93†	0.6	F8AZ5423943AAA		
99 R	284.50†	0.6	XW7Z5423942AAB		
99 L	284.50†	0.6	XW7Z5423943AAB		
00-02R	478.72†	0.6	YW7Z5423942CAB		
00-02L	478.72†	0.6	YW7Z5423943CAB		
98 R	814.82†	0.6	F8AZ5423942AAC		
98 L	856.07†	0.6	F8AZ5423943AAC		
99 R	273.83†	0.6	XW7Z5423942AAC		
99 L	284.50†	0.6	XW7Z5423943AAC		
00-02R	490.68†	0.6	YW7Z5423942CAC		
00-02L	478.72†	0.6	YW7Z5423943CAC		
99 R	277.57†	0.6	XW7Z5423942AAA		
99 L	277.57†	0.6	XW7Z5423943AAA		
00-02R	490.68†	0.6	YW7Z5423942CAA		
00-02L	490.68†	0.6	YW7Z5423943CAA		
3	Refin door shell				
	exterior surface				
	only	98-02	p.2.2		
	edges	98-02	p.5		
	inner panel	98-02	p.6		
	Refin outer panel				
	exterior surface				
	only	98-02	p.2.2		
	edges	98-02	p.5		
	inner panel	98-02	p.5		
	R&R door shell				
	add for power units	98-02	0.4		
	R&R outer panel				
	add for power units	98-02	0.4		
	R&I door Assy	98-02B	1.3		
	R&I trim panel	98-02B	0.4		
	REFINISHING NOTES				
	Add for stone guard if required. See Guide to Estimating.				
	ADD IF REQUIRED				
	R&I OPERATIONS				
	DOOR & COMPONENTS				
1	Door shell	(p.2) 98-01R	594.00	5.0	F8AZ5424630AA
		(p.2) 98-01L	594.00	5.0	F8AZ5424631AA
	w/o "L" series	(p.2) 02 R		5.0	2W7Z5424630BA
		(p.2) 02 L		5.0	2W7Z5424631BA
	w/"L" series	(p.2) 02 R	1384.52	5.0	2W7Z5424630AA
		(p.2) 02 L	1384.52	5.0	2W7Z5424631AA
2	Outer panel	(p.2) 98-01R	226.92	6.0	F2MY5424700A
		(p.2) 98-01L	272.37	6.0	F2MY5424701A
	w/o "L" series	(p.2) 02 R	226.92	6.0	F2MY5424700A
		(p.2) 02 L	272.37	6.0	F2MY5424701A
	w/"L" series	(p.2) 02 R		6.0	2W7Y5424700AA
		(p.2) 02 L		6.0	2W7Y5424701AA
3	Weatherstrip				
	on body				
	prairie tan	98 B	41.97	U.S.=	F7AZ5425310AAA
	slate blue	98 B	44.73	0.5=	F7AZ5425310AAB
		99-02B	38.78	0.5	XW7Z5425310AAD
	graphite	98 B	69.37	0.5	F5AZ5425310C
		99-02B	38.78	0.5	XW7Z5425310AAB
	black (polite)	08 R	44.73	0.5	F8AZ5425310AAA
		99-02B	42.05	0.5	XW7Z5425310BAA
	parchment	99-02B	38.78	0.5	XW7Z5425310AAA
	on door				
	to 11/15/98	98-99R	62.30	0.5=	F5MY5425324A
		98-99L	49.78	0.5=	F5MY5425325A
	from 11/15/98	99-02R	32.80	0.5	XW7Z5425324AA
		99-02L	32.80	0.5	XW7Z5425325AA



JA98510

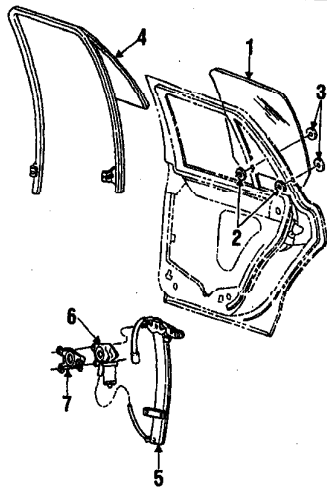
DR2 JA98

**CROWN VICTORIA
REAR WHEEL DRIVE**

1998-02 CROWN VICTORIA

EXTERIOR TRIM			
1 Belt w'strip	98-02R 27.37†	0.3=	F6M25425598AAA
	98-02L 27.37†	0.3=	F6M25425597AAA
2 Body side mold			
2 1/2" adhesive type			
cream yellow	98-02B 47.98#	0.3	F8AZ5425556BAA
toresador red	98-02B 47.98#	0.3	F8AZ5425556BAC
black	98-02B 47.98#	0.3	F8AZ5425556BAL
white	98-02B 47.98#	0.3	F8AZ5425556BAN
light gray	98-02B 47.98#	0.3	F8AZ5425556BAJ
silver frost	98-02B 47.98#	0.3	F8AZ5425556BAP
spruce green	98-02B 47.98#	0.3	F8AZ5425556BAT
wedgewood	00-02B 33.75#	0.3	XW7Z5425556BBC
harvest gold	00-02B 41.15#	0.3	XW7Z5425556BBA
light blue	01-02B 33.75#	0.3	XW7Z5425556BBB
tropic green	01-02B 33.30#	0.3	YW7Z5425556BAA
3 1/4" adhesive type			
light prairie tan	98 R 48.45#	0.3	F8AZ5425556AAA
	98 L 48.45#	0.3	F8AZ5425557AAA
toresador red	98-01R 48.45#	0.3	F8AZ5425556AAB
	98-01L 48.45#	0.3	F8AZ5425557AAB
wedgewood blue	98 R 48.45#	0.3	F8AZ5425556AAC
	98 L 48.45#	0.3	F8AZ5425557AAC
denim blue	98 R 48.45#	0.3	F8AZ5425556AAD
	98 L 48.45#	0.3	F8AZ5425557AAD
dark green	98-99R 48.45#	0.3	F8AZ5425556AAE
	98-99L 48.45#	0.3	F8AZ5425557AAE
spruce green	98-02R 48.45#	0.3	F8AZ5425556AAF
	98-02L 48.45#	0.3	F8AZ5425557AAF
black	98-02R 48.45#	0.3	F8AZ5425556AAG
	98-02L 48.45#	0.3	F8AZ5425557AAG
white	98-02R 48.45#	0.3	F8AZ5425556AAH
	98-02L 48.45#	0.3	F8AZ5425557AAH
silver frost	98-02R 48.45#	0.3	F8AZ5425556AAJ
	98-02L 48.45#	0.3	F8AZ5425557AAJ
medium gray	98-02R 48.45#	0.3	F8AZ5425556AAK
	98-02L 48.45#	0.3	F8AZ5425557AAK
harvest gold	99-02R 55.12#	0.3	XW7Z5425556AAA
	99-02L 55.12#	0.3	XW7Z5425557AAA
light blue	99-02R 55.12#	0.3	XW7Z5425556AAB
	99-02L 55.12#	0.3	XW7Z5425557AAB
deep wedgewood	99-02R 47.72#	0.3	XW7Z5425556AAC
	99-02L 55.12#	0.3	XW7Z5425557AAC
tropic green	01-02R 52.58#	0.3	YW7Z5425556AAA
	01-02L 54.37#	0.3	YW7Z5425557AAA
arizona beige	02 R 52.58#	0.3	F8AZ5425556AAB
	02 L 54.37#	0.3	F8AZ5425557AAB
chestnut	02 R 52.58#	0.3	F8AZ5425556AAC
	02 L 54.37#	0.3	F8AZ5425557AAC
3 Reveal molding	98-02R 125.87	0.3	F5M542555800A
	98-02L 125.87	0.3	F5M542555810A

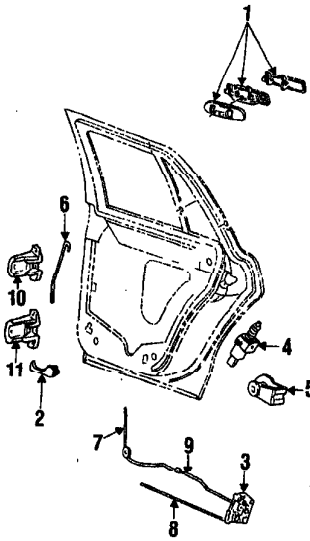
† **LABOR:** Does not include time to gain access.
‡ **PARTS:** Order by color.



JA98325

GLASS & HARDWARE			
1 Door glass			
Ford	98-02R 115.07	0.6=	F5M5425712A
	98-02L 115.07	0.6=	F5M5425713A
NAGS	98-02R 306.85	0.6	DD08636GTN
	98-02L 306.85	0.6	DD08637GTN
2 Spacer	98-02B 1.59		D9AZ5423444AAA
3 Retainer	98-02B 1.57		D9AZ5423444AAA
4 Glass assy			
run & stationary assy			
Ford	98-02R 685.50	0.6	F4M5426870A
	98-02L 685.50	0.6	F4M5426871A
NAGS	98-02R 1645.25	0.6	DV08638GTY
	98-02L 1645.25	0.6	DV08639GTY
5 Regulator	98-02R 53.43	0.8	XW7Z5427008AA
	98-02L 53.43	0.8	XW7Z5427009AA

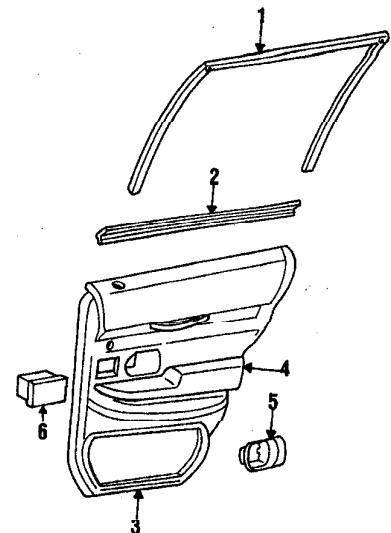
6 Motor	98-99R 170.65	0.8	F2VY5423394B
	98-99L 132.60	0.8	F2VY5423395B
	00-01R 53.43	0.8	1W7Z5423394AA
	00-01L 53.43	0.8	1W7Z5423395AA
	02 R 53.43	0.8	1W7Z5423394AA
	02 L 53.43	0.8	1W7Z5423395AA
7 Bracket	98-02R 20.40		F2AZ5423394B
	98-02L 20.40		F2AZ5423395B



JA98330

LOCK & HARDWARE			
1 Handle, outside			
to 3/23/98	98 R 28.52	0.6	XW7Z5426804AA
	98 L 28.52	0.6	XW7Z5426805AA
from 3/23/98	98 R 28.52	0.6	XW7Z5426804AA
	98 L 28.52	0.6	XW7Z5426805AA
w/o police package	99-00R 28.52	0.6	XW7Z5426804AA
	99-00L 28.52	0.6	XW7Z5426805AA
	01-02R 28.52	0.6	XW7Z5426804AA
	01-02L 28.52	0.6	XW7Z5426805AA
w/police package	99-02R 28.52	0.6	XW7Z5426804AA
	99-02L 28.52	0.6	XW7Z5426805AA
2 Handle, inside			
prairie tan	98 R 13.05	0.3=	F7AZ5421818AAA
	98 L 23.33	0.3=	F7AZ5421819AAA
slate blue	98-02R 13.05	0.3=	F8AZ5421818AAA
	98-02L 13.05	0.3=	F8AZ5421819AAA
graphite	98-02R 18.13	0.3	F5AZ5421818C
	98-02L 18.13	0.3	F5AZ5421819C
parchment	99-02R 12.53	0.3	XW7Z5421818AAA
	99-02L 12.53	0.3	XW7Z5421819AAA
black	99-02R 12.53	0.3	XW7Z5421818AAC
	99-02L 12.53	0.3	XW7Z5421819AAC
3 Latch assy.	98-02R 18.60	0.4	F5AZ5426412AD
	98-02L 19.38	0.4	F5AZ5426413AD
4 Actuator	98-02B 97.00	0.3	F8AZ5426894AA
5 Control rod	90-02B 12.73	0.2=	F2AZ5423200AA
6 outside handle	98-02B 5.63	0.2	F2AZ5426596A
7 lock knob	98-02B 10.25	0.2	F2AZ5426460A
8 inside handle	98-02R 8.93	0.2	F5AZ5426422AA
	98-02L 8.93	0.2	F5AZ5426443AA
9 link rod	98-02R 10.30	0.2	F2AZ5426420A
	98-02L 20.98	0.2	F2AZ5426421A
10 Hinge			
upper	(p.3) 98-02B 20.00@	0.4	F2AZ5426800A
lower	(p.3) 98-02B 30.97@	0.4	1W7Z5426802AA

ⓔ **LABOR:** Time is after door is removed.



JA98335

INTERIOR TRIM			
1 Window trim	98-02R 45.58	0.3=	F2MY5425560D
	98-02L 44.17	0.3=	F3MY5425561D
2 Belt w'strip	98-02R 28.93	0.2	F4MY5425860A
	98-02L 28.93	0.2	F4MY5425861A
3 Rear door trim			
prairie tan	98 R 570.72	0.6	F8AZ5427406AAD
	98 L 570.72	0.6	F8AZ5427407AAD
slate blue	98 R 535.90	0.6	F8AZ5427406AAA
	98 L 535.90	0.6	F8AZ5427407AAA
	99-00R 216.65	0.6	XW7Z5427406BAA
	99-00L 216.65	0.6	XW7Z5427407BAA
	01-02R 239.35	0.6	YW7Z5427406BAA
	01-02L 239.35	0.6	YW7Z5427407BAA
graphite	98 R 535.90	0.6	F8AZ5427406AAC
	98 L 535.90	0.6	F8AZ5427407AAC
	99-00R 216.65	0.6	XW7Z5427406BAC
	99-01L 216.65	0.6	XW7Z5427407BAC
	01-02R 239.35	0.6	YW7Z5427406BAC
	01-02L 239.35	0.6	YW7Z5427407BAC
parchment	99-00R 216.65	0.6	XW7Z5427406BAA
	99-00L 216.65	0.6	XW7Z5427407BAA
	01-02R 239.35	0.6	YW7Z5427406BAA
	01-02L 239.35	0.6	YW7Z5427407BAA
4 Armrest pad			
prairie tan	98 R 51.10#	0.6	F7AZ5427818AAC
	98 L 51.10#	0.6	F7AZ5427819AAC
slate blue	98-02R 54.48#	0.6	F8AZ5427818AAA
	98-02L 54.48#	0.6	F8AZ5427819AAA
graphite	98-02R 49.85#	0.6	F7AZ5427818AAF
	98-02L 51.10#	0.6	F7AZ5427819AAF
parchment	99-02R 19.92#	0.6	XW7Z5427818AB
	99-02L 29.92#	0.6	XW7Z5427819AB
5 Pull pocket			
prairie tan	98 R 10.85		F7AZ5426235AAA
	98 L 10.85		F7AZ5426236AAA
slate blue	98-00R 10.85		F7AZ5426235AAC
	98-99L 10.85		F7AZ5426236AAC
	00-02R 5.55		XW7Z5422635AAB
	00-02L 5.55		XW7Z5422635AAB
graphite	98 R 10.48		F5AZ5426235AC
	98 L 10.48		F5AZ5426236AC
	99-02R 5.70		XW7Z5422635AAC
	99-02L 5.70		XW7Z5422636AAC
parchment	99-02R 6.72		XW7Z5422635AAA
	99-02L 6.42		XW7Z5422636AAA
6 Ashtray			
prairie tan	98 B 8.08		F7AZ5430702AAB
	98-02B 7.88		F8AZ5430702AAA
graphite	98-02B 8.08		F5AZ5430702AAD
parchment	99-02B 7.78		F8AZ5430702AAB
Switch housing			
prairie tan	98 R 19.37		F8AZ14528AC
	98 L 26.52		F8AZ14527AC
slate blue	98-02R 26.52		F8AZ14528AA
	98-02L 26.52		F8AZ14527AA
graphite	98-02R 25.40		F8AZ14528AB
	98-02L 26.52		F8AZ14527AB
parchment	99 R 34.13		XW7Z14528BB
	99 L 15.83		XW7Z14527BB
Window switch			
prairie tan	98 B 13.93	0.2	F8AZ14529BC
slate blue	98 B 13.93	0.2	F8AZ14529BA
graphite	98 B 13.35	0.2	F8AZ14529BB
black	98 B 13.93	0.2	F8AZ14529BD

CONTINUED

Please contact our Product Support Group if you require assistance locating, interpreting or using any information contained in the Estimating Data. Toll Free Number: 1-800-426-6867.

1998-02 CROWN VICTORIA

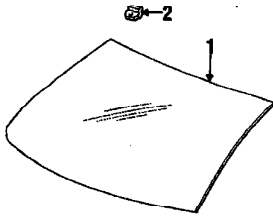
CROWN VICTORIA
REAR WHEEL DRIVE **DR2 JA98**

REAR DOOR (CONT)

w/o police package	99-02B	32.42	0.2	XW7Z14529AB
w/police package	99-02B	32.42	0.2	XW7Z14529BB

LABOR: Time included with door trim panel R&R.

BACK GLASS



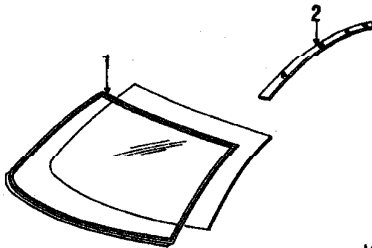
JA98340

PARTS AND R&R OPERATIONS

GLASS

1 Back glass				
Ford	98-99	960.17	2.2	F3M13442000A
	00-02	1003.75	2.2	YW7Z5442006AA
NAGS	98-99	2304.40	2.2	DB0871BGTY
	00-02	2409.05	2.2	DB08682GTY
2 Step				
	98-02	4.72		F2AZ5442308A

LABOR: Part includes antenna. LABOR: Time includes R&R/R&l back glass.



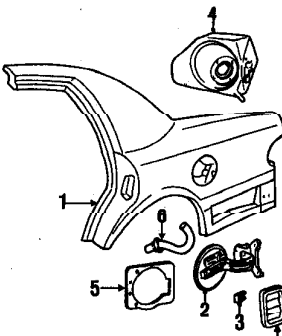
JA98515

REVEAL MOLDINGS

1 Reveal molding				
	98-02	78.48	2.2	F2M15442404A
2 Side molding				
	(p.5) 98-02R	47.92	0.6	F2M15451728A
	(p.5) 98-02L	46.07	0.6	F2M15451729A

LABOR: Time included with back glass R&R/R&l.

QUARTER PANEL



JA98345

REFINISHING NOTES

Refn quarter panel exterior surface only 98-02 p.2.3
edges & pockets 98-02 p.3
lock pillar 98-02 p.5

OVERLAP OPERATIONS

R&R quarter panel with rocker off		
deduct	98-02	1.0
R&R quarter panel with roof off		
deduct	98-02	4.0

R&l OPERATIONS

R&l trim panel		
upper	98-02B	0.5
lower	98-02B	0.4

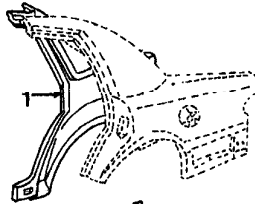
SECTIONING OPERATIONS

Scm qtr panel cut at belt line			
	98-02R	p3.1	13.0
	98-02L	p3.1	13.5

PARTS AND R&R OPERATIONS

QUARTER PANEL & COMPONENTS

1 Quarter panel					
	(p.1) 98-02R	652.30	16.0	1W7Z5427840AA	
	(p.1) 98-02L	652.30	16.5	1W7Z5427841AA	
2 Fuel door					
	(p.3) 98-00	35.90	0.3	1W7Z54405A26AA	
	(p.3) 01-02	35.90	0.3	1W7Z54405A26AA	
	(p.3) 01-02	35.90	0.3	1W7Z54405A26BA	
3 Retainer					
	98-02	3.72		F5AZ5428808A	
4 Fuel pocket					
	w/o remote door	98-02	52.88	0.7	F5AZ5427936A
	w/remote door	98-00	59.60	0.7	P2AZ5427936C
		01-02	34.18	0.7	1W7Z5427936AA
5 Seal					
	98-02	37.42		F2AZ5428830A	
6 Drain hose					
	98-02	10.98		F0V9C005A	
7 Vent grille					
	98-02B	6.60	0.2	F70Z5428062AA	

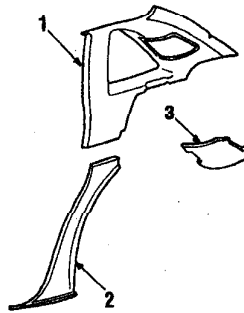


JA98350

INNER STRUCTURE

1 Inner panel				
	98-02R	88.92	6.0	1W7Z5427790AA
	98-02L	88.92	6.0	1W7Z5427791AA
2 Wheelhouse				
	98-02R	63.52	2.5	F8AZ5427866AA
	98-02L	63.52	2.5	F8AZ5427867AA
3 Mount bracket				
	trunk lid hinge	98-02R	22.12	F2M15442738A
		98-02L	22.12	F2M15442738A

LABOR: Time is after quarter panel is removed.



JA98355

INTERIOR TRIM

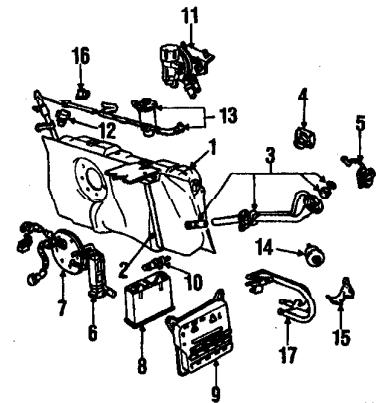
Qtr trim						
1 upper						
	prairie tan	98	R	71.87	0.5	F7M25462018AAC
		98	L	71.87	0.5	F7M25462018AAC
	slate blue	98-99R		71.87	0.5	F8M25462018AAA
		98-99L		71.87	0.5	F8M25462018AAA
		00	R	26.65	0.5	1W7Z5462018AAH
		00	L	27.32	0.5	1W7Z5462018AAH
		01	R	26.65	0.5	1W7Z5462018AAH
		01	L	27.32	0.5	1W7Z5462018AAB
		02	R	0.5		NOT LISTED
		02	L	0.5		NOT LISTED
	graphite	98-99R		71.87	0.5	F7M25462018AAG
		98-99L		71.87	0.5	F7M25462018AAG
		00	R	26.65	0.5	1W7Z5462018AAJ
		00	L	26.65	0.5	1W7Z5462018AAJ
		01	R	26.65	0.5	1W7Z5462018AAJ
		01	L	26.65	0.5	1W7Z5462018AAJ
		02	R	0.5		NOT LISTED
		02	L	0.5		NOT LISTED
	parchment	99	R	35.70	0.5	XW3Z5462018AAA
		99	L	34.83	0.5	XW3Z5462018AAA
		00	R	26.65	0.5	1W7Z5462018AAG
		00	L	27.32	0.5	1W7Z5462018AAG
		01	R	26.65	0.5	1W7Z5462018AAG
		01	L	27.32	0.5	1W7Z5462018AAG

	02	R	0.5	NOT LISTED
	02	L	0.5	NOT LISTED

2 lower						
	prairie tan	98	R	27.42	0.4	F7AZ5431012AAA
		98	L	27.42	0.4	F7AZ5431013AAA
	slate blue	98-01R		29.60	0.4	F8AZ5431012AAA
		98-01L		29.60	0.4	F8AZ5431013AAA
	graphite	98-01R		27.42	0.4	F8AZ5431012ABK
		98-01L		28.92	0.4	F8AZ5431013ABT
	parchment	99-01R		26.27	0.4	XW7Z5431012AAA
		99-01L		26.27	0.4	XW7Z5431013AAA

3 Bezel						
rear seat belt						
	prairie tan	98	R	21.78		F7M254601B30AAA
		98	L	21.78		F7M254601B31AAA
	slate blue	98-99R		22.48		F7M254601B30AAB
		98-99L		21.78		F7M254601B31AAB
	graphite	98-99R		21.78		F7M254601B30AAD
		98-99L		21.78		F7M254601B31AAD
	parchment	99	R	13.77		XW7Z54601B30AAA
		99	L	13.77		XW7Z54601B31AAA

FUEL SYSTEM



JA98360

R&l fuel tank

w/o CNG	98-02	m	1.2
w/CNG			
upper	98-02	±m	1.6
lower	98-02	±m	2.1

R&l OPERATIONS

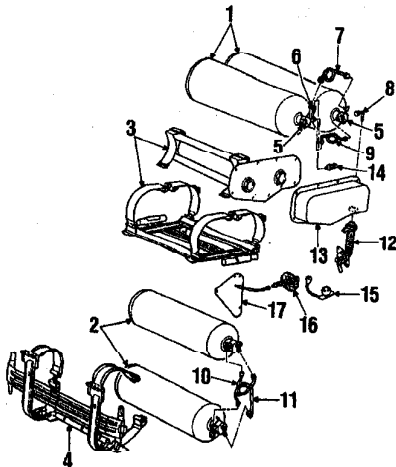
PARTS AND R&R OPERATIONS

FUEL SYSTEM COMPONENTS

GAS						
1 Fuel tank						
		98-00	461.42	m	1.5	XW7Z9002AA
		01-02	440.28	m	1.5	1W1Z9002AC
2 Strap						
		98-02	7.94			F8AZ9002DA
3 Filler pipe						
		98-02	106.57	m	0.6	YW7Z9004AA
4 Seal						
		98-02	12.02			F4ZZ9008A
5 Filler cap						
		locking	98-02	25.61		XU5Z9000HA
		non-locking	98-02	20.10		XU5Z9000JA
6 Fuel pump Assy.						
		98-99	240.03	#m	0.2	XW1Z9H307AB
		00-01	242.15	#m	0.2	1W1Z9H3079C
		02	236.25	#m	0.2	3W1Z9H307AA
7 Sending unit						
		98-02	42.22			XW1Z9275AA
8 Vapor canister						
		98-02	71.36	m	0.7	F8DZ906538A
9 Bracket						
		98-02	56.96			XW1Z9D6658A
10 Solenoid						
		98-02	38.85			F7DZ9F464AA
11 Valve Assy						
		98-02	52.53			F8AZ9C915AB
		98-02	50.71			XS4Z9C052AA
12 Pressure sensor						
13 Tube Assy						
		vapor control valve	98-99	114.00		F8AZ9C047BD
			00-02	116.53		XW7Z9C047AB
14 Fuel filter						
		98-02	17.82			F89Z9155A
15 Bracket						
		98-02	17.93			F8AZ9180AA
16 Valve Assy						
		fuel vapor	98-02	56.76		F8DZ9B830AB
17 Tube Assy						
		return & vapor	98-01	321.05		1W7Z9J279BA
			02			2W7Z9J279AA
Filter						
		fuel tank sender	98-02	14.88		XW1Z9A011AA

LABOR: Time is after fuel tank is removed. Fuel pump does not include sender unit.

PARTS: CNG, Compressed Natural Gas.

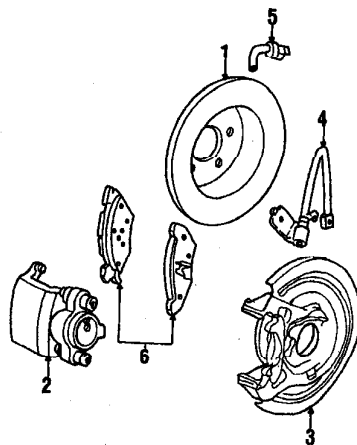


JA98365

**FUEL SYSTEM COMPONENTS
COMPRESSED NATURAL GAS**

Fuel tank:			
1 upper	98-01	2820.97	m 1.7
	02		m 1.7
2 lower	98-01	2911.23	m 2.2
	02	3332.47	m 2.2
Support Assy			
3 upper	98-02	1805.11	
4 lower	98-02	908.34	
Solenoid valve			
high pressure	98-02	657.13	
low pressure	98-02	117.13	
Temp sensor			
6	98-99	30.55	
Tube Assy			
7 tank to tee	98-02	363.37	
8 fuel tank	98-01	869.83	
	02		
fuel			
9 upper tanks	98-99	377.75	
	00-02	257.97	
10 lower tanks	98-01	358.45	
	02	136.67	
Wire harness			
11	98	36.43	
	99	143.73	
12 Vent Assy			
	98-02	56.64	
13 Cover			
	98-02		
14 Pressure sensor			
	98-02	205.00	
15 Cap			
	98-02	10.04	
16 Flange			
fuel tank fill	98-01	564.45	
	02	708.79	
17 shield	98-02	4.51	

REAR SUSPENSION



JA98370

ADD IF REQUIRED

Check rear alignment	98-02	m 0.5
Bleed brake system	98-02	m 0.5

OVERLAP OPERATIONS

R&R brake hose w/caliper off	98-02	m 0.3
deduct	98-02	m 0.3
w/axle hng removed	98-02	m 0.3
deduct	98-02	m 0.3
R&R caliper w/axle hng removed	98-02	m 0.3
deduct	98-02	m 0.7
R&R shock w/axle hng removed	98-02	m 0.3
deduct	98-02	m 0.5
R&R upper arm w/axle hng removed	98-02	m 0.5
deduct	98-02	m 0.5
R&R lower control arm w/axle hng removed	98-02	m 0.3
deduct	98-02	m 0.3
R&R truck bar w/axle hng removed	98-02	m 0.4
deduct	98-02	m 0.4

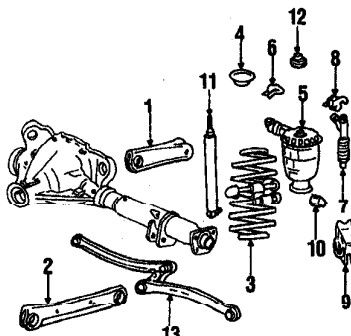
R&I OPERATIONS

R&I axle & suspension	98-02	m 3.5
-----------------------	-------	-------

PARTS AND R&R OPERATIONS

1 rotor			
	98-02B	101.90	m 0.4
2 Caliper			
standard duty	98-00B	98.05#	m 0.7
	01 B	100.93#	m 0.7
	02 B	100.93#	m 0.7
HD	98-02R	55.50#	m 0.7
police	98-02B	150.00#	m 0.7
3 splash shield			
	98-00B	131.30	
	01-02B	131.30	
4 Brake hose			
w/o traction control	98-00R	23.10	m 0.8
	98-00L	23.10	m 0.8
	01-02R	25.80	m 0.8
	01-02L	25.80	m 0.8
w/traction control	98-00R	23.10	m 0.8
	98-00L	17.63	m 0.8
	01-02R	25.80	m 0.8
	01-02L	25.80	m 0.8
5 Speed sensor			
	98-00B	42.29	m 0.7
	01-02B	69.22	m 0.7
6 Brake pads			
	98-01	92.85	
	02	92.85	
Indicator			
ABS	98-01	4.75	
	02	75.00	

LABOR: Time includes R&R/R caliper and brake pads.



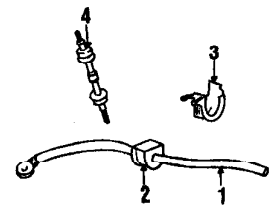
JA98375

SUSPENSION COMPONENTS

1 Upper entri arm			
standard duty	98-02B	30.25	m 1.0
HD	98-02B	30.25	m 1.0
2 Lower entri arm			
	98-02B	34.42	m 1.0
3 Spring			
w/o police package	98 B	28.60#	m 0.7
	99-02B	28.60#	m 0.7
w/police package	98-02B	23.46	m 0.7
w/NGV	98-02B	27.90	m 0.7
4 Insulator			
	98-02B	6.17	
5 Air spring			
	98-01B	125.21	m 0.6
	02 B	93.80	m 0.6
6 retainer			
upper	98-02B	7.43	
lower	98-02B	11.35	
7 Height sensor bracket			
	98-02	67.05	0.5

8 upper	98-02	10.10		F8AZ5608AA
9 lower	98-02	7.92		F8AZ5609CA
10 bumper	98-02B	D10.85		D8AZ4730A
11 Shock				
standard duty	98-02B	45.83	m 0.5	XW7Z18125AB
HD, police	98-02B	29.95	m 0.5	XW7Z18125BB
12 bushing kit				
	98	14.82		F5AZ18198AA
	99-02	6.43		XW7Z18198AA
13 truck bar	98-02	101.92	m 0.9	F8AZ4264AA

PARTS: Order by spring code.

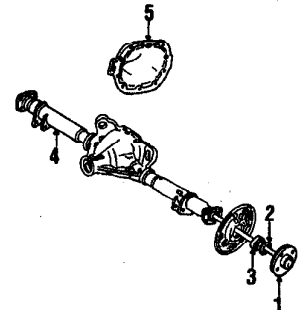


JA98380

STABILIZER BAR & COMPONENTS

1 Stabilizer bar			
standard	98-02	127.10#	m 1.0
HD	98-00	116.67#	m 1.0
	01-02	40.37#	m 1.0
police/CNG	98-02	54.75#	m 1.0
2 bushing			
standard	98-02B	9.69	
HD	98-00B	12.32	
	01-02B	6.13	
police/CNG	98-02B	9.60	
3 bracket			
	98-02B	5.00	
4 Stabilizer link			
	98-02B	42.80	m 0.5

LABOR: Time includes R&R/R stabilizer bar, bushings, and brackets.



JA98385

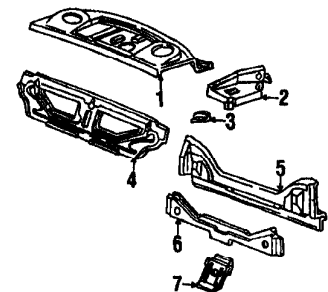
AXLE HOUSING

1 Axle shaft			
w/o ABS	98-02B	129.10#	m 1.2
w/ABS	98-02B	183.77#	m 1.2
2 oil seal			
	98-02B	3.79	
3 bearing			
	98-02B	21.34	
4 Axle housing			
	98-02	834.25#	m 5.6
5 Rear cover			
	98-02	41.43	
Drive shaft Assy			
base	98-02	266.37	m 1.0
police package	98-02	285.88	m 1.0
CNG	98-02	266.37	m 1.0

LABOR: Time includes R&I of all internal components, and D&R of all attached components.

LABOR: Time includes R&I/R axle shaft, bearing, and seal.

REAR BODY & FLOOR



JA98390

CONTINUED

1998-02 CROWN VICTORIA

CROWN VICTORIA
REAR WHEEL DRIVE DR2 JA98

REAR BODY & FLOOR (CONT)

REFINISHING NOTES

Refn rear body panel
inner panel 98-02 p.5

OVERLAP OPERATIONS

R&R rear body panel
with 1 qtr panel off
deduct 98-02 2.5
with 2 qtr panels off
deduct 98-02 4.0

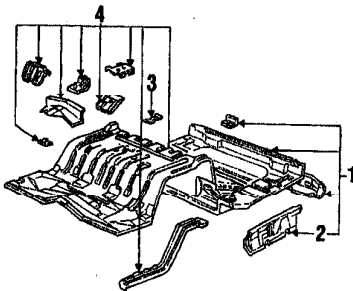
PARTS AND R&R OPERATIONS

REAR UPPER BODY				
1	Package tray (p1.0) 98-99	163.72	3.0	F5MY5446506A
	(p1.0) 00-02	50.82	3.0	YW7Z5446506AA
2	Pkg tray support 98-02R	42.43		F8AZ5446812AA
	98-02L	42.43		F8AZ5446813AA

Strainer				
3	pkg tray/wheelhouse 98-02R	14.10		F8VZ5446774AA
	98-02L	14.77		F8VZ5446775AA
4	pkg tray/floor (p1.0) 98-02	33.92	3.0	F8AZ5446610AA

REAR BODY				
5	Rear body panel (p1.0) 98-02	90.47#	5.5	F8AZ5440320AA
6	Lower rail# 98-02	33.75		F8AZ5440338AA
7	Mount bracket trunk lid striker 98-02	13.87	1.0	F8AZ5443235AA

‡ LABOR: Time is after bumper assembly is removed.

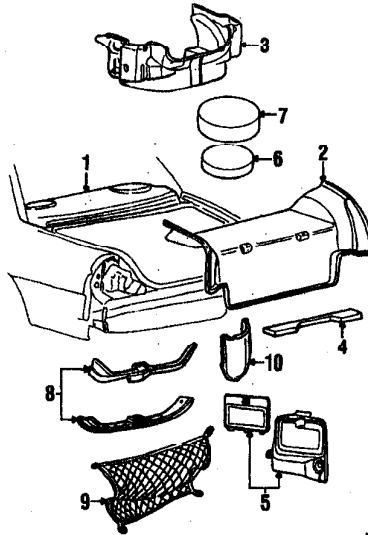


JA98395

FLOOR & RAILS

1 Rear floor pan				
	unleaded gas (p1.5) 98-02	243.30‡	19.0	XW7Z5411215AA
	CNG (p1.5) 98-02	293.78<	19.0	F7AZ5411215AA
2 Extension				
	to quarter 98-02R	69.88†	2.0	F8AZ5411250AA
	98-02L	69.88†	2.0	F8AZ5411251AA
3 Spare bracket				
	w/o police package 98-02	6.78		F2AZ5447076B
	w/police package 98-02	11.97		F2AZ5447076A
4 Center floor pan				
	unleaded fuel 98-01	384.82		F8VZ5411160AA
	02	127.18		2W7Z5411160AA
	CNG 98-01	661.02@		F8AZ5411160CA
	UZ	640.52		2W7Z5411160CA

‡ LABOR: Time is after necessary bolted on parts are removed. Time includes R&R of rear body panel.
† PARTS: Part included with floor pan assembly.
@ PARTS: CNG, Compressed Natural Gas. LABOR: Time is after necessary bolted on parts are removed. Time includes R&R of rear body panel.



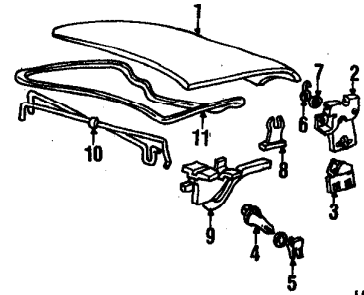
JA98440

INTERIOR TRIM

1 Pkg tray trim				
	w/o premium sound			
	prairie tan 98	156.68	0.5	F7MZ5446668ACA
	slate blue 98-99	156.68	0.5	F8MZ5446668AAA
	00-02	96.32	0.5	YW7Z5446668AAC
	graphite 98-99	156.68	0.5	F7MZ5446668ACD
	00-02	93.97	0.5	YW7Z5446668AAD
	parchment 99	76.60	0.5	XW7Z5446668AAA
	00-02	96.32	0.5	YW7Z5446668AAB
	w/premium sound			
	prairie tan 98	150.65	0.5	F7MZ5446668BCA
	slate blue 98-99	462.72	0.5	F8MZ5446668BAA
	00-02	150.65	0.5	YW7Z5446668BAC
	graphite 98-99	156.68	0.5	F7MZ5446668BCD
	00-02	150.65	0.5	YW7Z5446668BAD
	parchment 99	76.68	0.5	XW7Z5446668BAA
	00-02	150.65	0.5	YW7Z5446668BAB
Speaker grille 98-02 †				
SEE FOOTNOTE				
2 Floor cover				
front				
	gas 98-02	176.65	0.3	F8AZ5445455ABB
	CNG 98-02	176.65‡	0.3	F8AZ5445455CBB
3 rear				
	w/o disc player 98-02	180.95	0.3	F8AZ5445455AAA
	w/CD 98-02	180.95	0.3	F8AZ5445455BAA
	w/CNG 98-02	180.95‡	0.3	F8AZ5445455CAA
4 Filler 98-02				
		43.68		F8VZ5445726AA
5 Cover				
CD player				
	to 2/15/98 98	44.36		F8AZ54454541AAA
	from 2/15/98 98-02	38.81		F8AZ54454541BAA
Spare cover				
compact spare				
	gas 98-99	52.22		F8AZ5445026CAA
	00 02	98.43		F8VZ5446026AAA
	CNG 98-99	52.22‡		F8AZ5445026AAA
	00-01	52.22‡		XW7Z5445026AAA
	02	50.95‡		1W7Z5445026AAA
7 full size spare				
	gas 98-99	52.22		F8AZ5445026DAA
	00-02	98.43		F8VZ5445026BAA
	CNG 98-99	52.22‡		F8AZ5445026BAA
	00-01	52.22		XW7Z5445026BAA
	02	50.95		1W7Z5445026BAA
8 Sill panel 98				
	98-00	19.58	0.3	F8AZ5411318AAA
	01-02	17.97	0.3	XW7Z5411318AAA
	01-02	54.93	0.3	1W7Z5411318AAA
9 Cargo net 98-02				
		36.97		F3Z54450A66AA
10 Shield				
fuel filler housing				
	CNG 98-02	9.32‡		F8AZ54406A90A

† PARTS: Part included with package tray trim.
‡ PARTS: CNG, Compressed Natural Gas.

TRUNK LID



JA98520

REFINISHING NOTES

Refn trunk lid underside 98-02 p.15

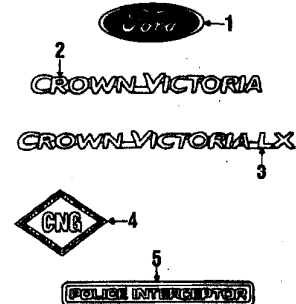
R&I OPERATIONS

R&I trunk lid 98 02 0.6

PARTS AND R&R OPERATIONS

TRUNK LID				
1	Trunk lid (p3.0) 98-02	479.89	1.2	F8AZ5440110BA
2	Latch Assy 98	45.10	0.3	F8AZ5443200AA
	99-02	45.10	0.3	XW7Z5443200AA
3	Striker plate 98-02	12.50	0.2	F2AZ54404AA2A
4	Lock cylinder 98-02	107.78#	0.3	F8MZ5443262BA
5	support 98-02	4.27		E8DZ5443244BA
6	plate 98-02	4.17		E8DZ5443627A
7	clip 98-02	4.37		F8AZ5440182A
8	retainer 98-02	5.64		F8AZ5443628AA
9	Hinge (p.3) 98-02R	48.17†	0.8	F8AZ5442700AA
	(p.3) 98-02L	48.17†	0.8	F8AZ5442701AA
10 Version bar				
	gas 98-02R	15.23	0.3	F8AZ544890AA
	98-02L	14.65	0.3	F8AZ5444891AA
	CNG 98-02R	14.28‡	0.3	F8AZ544890AB
	98-02L	14.65‡	0.3	F8AZ544891AB
11	Weatherstrip 98-02	49.07	0.4	XW7Z5443720AA

‡ LABOR: Time is after reflector panel is removed.
† LABOR: Time is after trunk lid is removed.
‡ PARTS: CNG, Compressed Natural Gas.



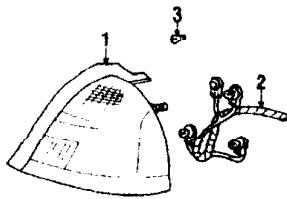
JA98525

EXTERIOR TRIM

1 Emblem				
	"FORD" oval 98-02	13.48	0.2	F8AZ542528CA
2 Nameplate				
	"Crown Victoria" 98-02	13.48	0.2	F8AZ542528AA
	"Crown Victoria LX" 98-02	13.48	0.2	F8AZ542528BA
	"CNG" 98-02	13.48‡	0.2	F8AZ542528BA
	"POLICE INTERCEPTOR" 00-02	11.88	0.2	XW7Z542528AA
	"Special Edition" 99-02	4.15	0.2	XW7Z542528AB

‡ PARTS: CNG, Compressed Natural Gas.

REAR LAMPS

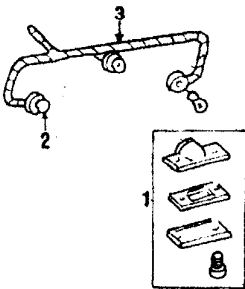


JA98405

PARTS AND R&R OPERATIONS

TAIL LAMPS					
1 Tail lamp Assy	98 R	154.20	0.6=	XW7Z1340AAA	
	98 L	154.20	0.6=	XW7Z13405AA	
w/o police package	99-00R	154.20	0.6=	XW7Z1340AAA	
	99-00L	154.20	0.6=	XW7Z13405AA	
w/o police					
w/black molding	01-02R	154.20	0.6=	YW7Z1340AAA	
	01-02L	154.20	0.6=	YW7Z13405AA	
w/chrome molding	01-02R	154.20	0.6=	XW7Z1340AAA	
	01-02L	154.20	0.6=	XW7Z13405AA	
w/police package	99-02R	87.90	0.0=	XW7Z13404BA	
	99-02L	105.06	0.6=	XW7Z13405BA	
w/sport package	02 R	87.90	0.4	1W7Z1340AAA	
	02 L	154.20	0.6	1W7Z13405AAA	
2 Socket & wire	98-99B	38.55		FBAZ13410AA	
	00-02B	26.18		YW7Z13410BA	
3 Bulb	98-02B	1.55	0.6	F4CZ13466A	

1 LABOR: Time included with tail lamp R&R/R. Time is for one or all bulbs.

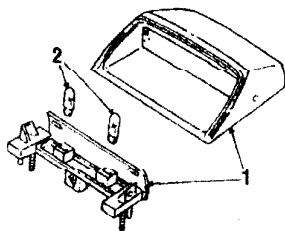


JA98410

LICENSE LAMPS

1 License lamp	98-02	5.13	0.2	FBAZ13550AA
2 Bulb	98-02	5.91	0.2	C2AZ13466C
3 Socket & wire	98-02	#		SEE FOOTNOTE

1 PARTS: Part listed in REAR REFLECTOR subgroup.
1 LABOR: Time included with license lamp R&R/R.

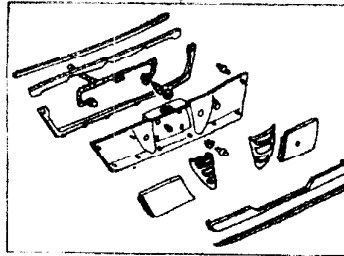


JA98415

HIGH MOUNTED STOP LAMP

1 High mount lamp				
prairie tan	98	62.70	0.3	F7M213A613BAA
slate blue	98-02	62.70	0.3	F7M213A613BAB
graphite	98-02	62.70	0.3	F7M213A613BAF
parchment	99-02	37.70	0.3	F8M213A613AAA
black	00-02	35.98	0.3	XW7Z13A613AAA
2 Bulb	98-02	1.45	0.3	D7TZ13466A

1 LABOR: Time included with high mount lamp R&R/R.



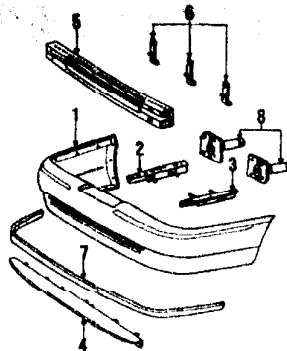
JA98550

REAR REFLECTOR

Reflector panel					
w/o police					
harvest gold	(p.8) 98-00	189.25#	0.4	FBAZ13A555AM	
prairie tan	(p.8) 98	198.27#	0.4	FBAZ13A555AA	
spruce green	(p.8) 98-00	189.25#	0.4	FBAZ13A555AF	
torador red	(p.8) 98-00	198.27#	0.4	FBAZ13A555AB	
green satin	(p.8) 98	198.27#	0.4	FBAZ13A555AE	
slate blue	(p.8) 98	198.27#	0.4	FBAZ13A555AD	
wedgewood blu	(p.8) 08	198.27#	0.4	FBAZ13A555AC	
light blue	(p.8) 98-00	189.25#	0.4	FBAZ13A555AN	
graphite	(p.8) 98-00	198.27#	0.4	FBAZ13A555AL	
silver frost	(p.8) 98-99	196.27#	0.4	FBAZ13A555AK	
	(p.8) 00-02	189.27#	0.4	YW7Z13A555BAY	
ebony	(p.8) 98-00	189.25#	0.4	FBAZ13A555AG	
vibrant white	(p.8) 98-00	198.27#	0.4	FBAZ13A555AJ	
deep wedgewoo	(p.8) 98-00	189.25#	0.4	FBAZ13A555AP	
amazon green	(p.8) 00-02	180.67#	0.4	XW7Z13A555BAA	
Arizona beige	(p.8) 00-02	180.67#	0.4	YW7Z13A555BBA	
yellow	(p.8) 00-02	180.67#	0.4	YW7Z13A555BBB	
w/police pack	(p.8) 98-01	160.80#	0.4	XW7Z13A555AAA	
	(p.8) 02	154.42#	0.4	YW7Z13A555AAA	
chestnut	(p.8) 01-02	230.90#	0.4	YW7Z13A555BBC	
Socket & wire	98-02	29.62		FBAZ13412AA	

1 PARTS: Part includes lens, bulbs, seals, pads, molding assembly and attaching hardware. Order by color.
LABOR: Refinish time is provided for those instances when required color is not available or for some repair situations.

REAR BUMPER



JA98420

OVERHAUL OPERATIONS

O/H bumper Assy - 98-02 2.0

R&I OPERATIONS

R&I bumper cover - 98-02 1.1

PARTS AND R&R OPERATIONS

BUMPER & COMPONENTS

1 Bumper cover (p.8)	98-02	350.00#	1.7	YW7Z17K835CA
2 support				
right	98-02	21.00		FBAZ17D985AB
left	98-02	21.00		FBAZ17D985AA
4 center	98-02	22.70		FBAZ17D985CA
5 Reinforcement	98-02	187.45#	2.0	FBAZ17308AA
6 bracket	98-02	2.77		1W7Z17D942AA
7 Cover molding	98	39.15#	0.5	FBAZ17C830AA
bright	99-02	39.15#	0.5	FBAZ17C830AA
black	99-02	39.15#	0.5	XW7Z17C830AA
spot package	02	37.93#	0.5	1W7Z17C830AAA
8 Energy absorber	98-02R	40.25#	0.2	F8VZ17787AA
	98-02L	40.25#	0.2	F8VZ17788AA

1 LABOR: Time is for overhaul.

1 LABOR: Time is after bumper is removed.

1 LABOR: Time included with bumper cover R&R or overhaul.