

CROWN VICTORIA 1992-97

CROWN VICTORIA 1992-97

SECTION INDEX

A/C Refrigerant Capacities	41
ABS/Brakes	42
Air Bag System	42
Air Cleaner	45
Air Conditioning/Heater	41
Back Window	49
Clear Coat Identification	40
Cooling	41
Cowl & Dash	46
Cruise Control System	43
Electrical	45
Emission System	45
Engine Mounts	45
Engine/Trans.	44
Exhaust	45
Frame	43
Front Bumper	40
Front Door	47
Front Fender	42
Front Lamps	40
Front Panels	40
Front Seat	47
Front Suspension	43
Fuel Tank	50
Hood	41
Information Labels	40
Instrument Panel	46
Luggage Lid	49
Paint Code Location	40
Quarter Glass	49
Quarter Panel	49
Rear Body	50
Rear Bumper	51
Rear Door	48
Rear Lamps	50
Rear Seat	47
Rear Suspension	50
Rockar/Pillars/Floor	46
Roof	48
Seat Belts	47
Special Cautions	40
Steering Gear	44
Steering Linkage	44
Steering Pump	44
Steering Wheel/Column	44
Underhood Dimensions	42
Wheel	43
Windshield	45

SPECIAL CAUTIONS

AIR BAG

Refer to Procedure Explanation 29 for Supplemental Restraint/Air Bag Special Cautions.

PAINT CODE LOCATION

Paint code located on left front door jamb.

CLEAR COAT IDENTIFICATION

All colors are clear coat.

INFORMATION LABELS

Labels must be special ordered from dealer by vehicle name, serial number and application.

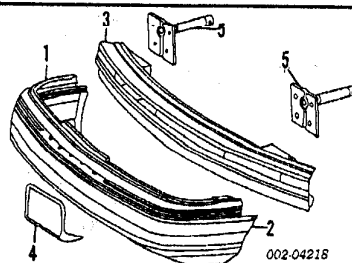
FRONT BUMPER

Use Procedure Explanations 1 and 28 with the following text.

1992-94

Refinish Front Cover	2.8
R&I Bumper Assy	#1.3
R&I Bumper Cover	#1.1
#Includes R&I Park/Side Marker Lamps	
O/H Bumper Assy (Includes R&I)	#2.0
#Includes R&R Park/Side Marker Lamps	

NOTE: All Parts in this section are included in overhaul unless noted otherwise.

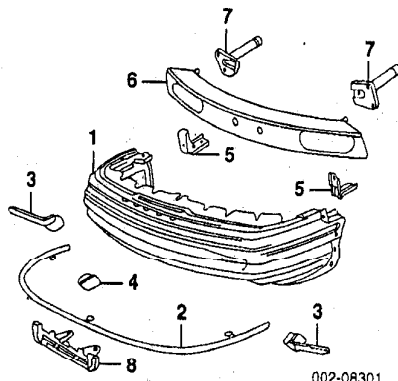


1 Cover, Front (P)	F2AZ 17D957 A	#1.5	450.00
(P) Paint to Match			
#Includes R&R Park/Side Marker Lamps, Impact Strip & License Frame			
2 Strip, Impact			
Bright/Black	F2AZ 17C829 A	.4	57.82
Black	F2AZ 17C829 B	.4	61.95
Bright	F2AZ 17C829 C	.4	57.82
3 Reinf, Cover			
Aluminum	F2AZ 17757 A	2.0	514.28
Steel	F3AZ 17757 A	2.0	430.24
4 Frame, License			
1992	F2AZ 17A385 A	.3	17.30
1993-94†	F3AZ 17A385 A	.3	16.69
†Mocha listed, Order by Application			
5 Absorber, Impact	R/L F2AZ 17754 A	#.2	147.38
#w/Bumper Assy Removed, Not Included in O/H			

1995-97

Refinish Front Bumper Cover	2.8
R&I Bumper Assy	#1.3
R&I Bumper Cover	#1.1
#Includes R&I Park/Side Marker Lamps	
O/H Bumper Assy (Includes R&I)	#2.0
#Includes R&R Park/Side Marker Lamps	

NOTE: All Parts in this section are included in overhaul unless noted otherwise.



1 Cover, Front Bumper (P)	F5AZ 17D957 A	#1.5	367.40
(P) Paint to Match			
#Includes R&R Park/Side Marker Lamps			
2 Midg, Cover	F5AZ 17C829 A	#1.4	55.07
#Includes R&I Bumper Cover			
3 Midg, Cover Side	R/L F5AZ 17C829 C-D	.4	5.60
4 Midg, Cover Center	F5AZ 17C829 B	.3	1.21
5 Reinf Brkt, Cover	R/L F5AZ 17E814 A		7.05
6 Reinf, Cover	F5AZ 17757 A	2.0	390.12
7 Absorber, Impact	R/L F5AZ 17754-5 A	#.2	119.53
#w/Bumper Assy Removed, Not Included in O/H			
8 Bracket, License			
Black	F5AZ 17A385 A	#.3	6.03
Blue	F4AZ 17A385 D	#.3	19.66
Champagne	F4AZ 17A385 B	#.3	16.35
Gray	F4AZ 17A385 E	#.3	19.66
Opal	F3AZ 17A385 D	#.3	17.55
#Included in R&R Front Cover			

FRONT PANELS

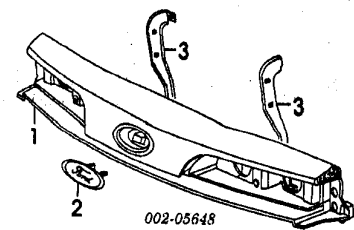
Use Procedure Explanations 3 and 28 with the following text.

1992

Refinish Front Panel	2.0
Add to Edge Panel	.5
R&I Front Panel	#2.1
#Includes R&I Front Bumper Assy & R&I/R&R Battery	

Illustration Located in Next Column

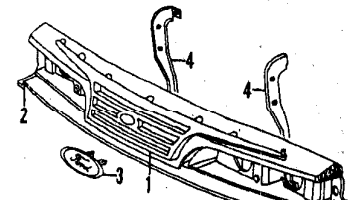
1 Panel, Front			
Complete	F2AZ 8190 A	#3.0	390.10
Partial	R/L F2AZ 8190 B-C	#4.4	219.41
#Includes R&I Front Bumper Assy & R&I/R&R Battery			



2 Ornament, Panel	F2AZ 8C270 A	#.2	17.22
3 Bracket, Front Panel	R F2AZ 8B455 C	#	8.93
	L F2AZ 8B455 D	#	9.05
#Included in R&R Front Panel			

1993-97

Refinish Front Panel	1.8
Add to Edge Panel	.5
R&I Grille	#.8
#Includes R&I Headlamps	
R&I Front Panel	#2.3
#Includes R&I Front Bumper Assy & R&I/R&R Battery	

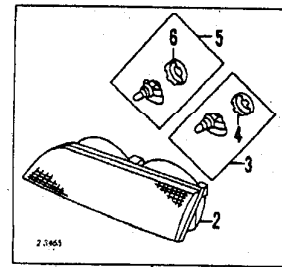


1 Grille	93-94 F3AZ 8200 A	#.9	175.95
	95-97 F5AZ 8200 A	#.9	219.93
#Includes R&I Headlamps			
2 Panel, Front			
Complete	93-94 F3AZ 8190 A	#3.3	219.93
	95-97 F5AZ 8190 A	#3.3	226.62
Partial	R/L F3AZ 8190 B-C	#4.6	177.70
#Includes R&I Front Bumper Assy & R&I/R&R Battery			
3 Ornament, Panel	E2GZ 8A223 B	#.2	13.00
#Included in R&R Front Panel			
4 Brkt, Front Panel	93-94 R F2AZ 8B455 C	#	8.93
	L F2AZ 8B455 D	#	9.05
	95-97 R/L F5AZ 8B455 A-B	#	39.08
#Included in R&R Front Panel			

FRONT LAMPS

HEADLAMP

R&R Does Not Include Aim Lamps	.4
R&I Headlamp Assy	R/L .3



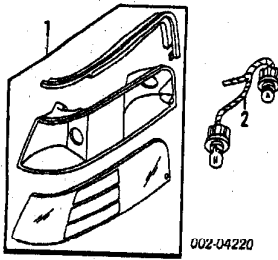
1 Headlamp Assy	R/L F2AZ 13008 A-B	#.3	157.92
#Included in R&R Front Panel			
2 Lens†	R F2AZ 13007 A	.4	68.30
	L F2AZ 13007 B	.4	72.93
3 Bulb Assy, Low Beam†	R/L E9SZ 13N021 A	#.3	11.63
*Time is to R&R One, Each Additional .1			
4 Retainer, Bulb† (a)	R/L E9SZ 13N019 A		4.47
(a) Included w/Low Beam Bulb Assy			
5 Bulb Assy, High Beam†	R/L E9SZ 13N021 B	#.3	11.63
*Time is to R&R One, Each Additional .1			
6 Retainer, Bulb† (a)	R/L E9SZ 13N019 B		4.47
†Included w/Headlamp Assy			
(a) Included w/High Beam Bulb Assy			
Screw, Adjust			9.05
Pivot	R/L E9SZ 13032 C		9.05
Horizontal	R/L E9SZ 13032 A		5.95
Vertical	R/L E9SZ 13032 B		9.05
Clip, Headlamp Mtg (6)	R/L E9DZ 13N129 A		3.80

DAYTIME RUNNING LAMPS

Module	92-95 E9SZ 15A272 B	#.3	64.34
	96-97 F43Z 15A272 A	#.3	55.77
Bracket, Module	F2AZ 13B214 A	#.3	29.15
#R&R Complete			

PARKSIDE MARKER LAMP

R&I Park/Side Marker Lamp Assy R/L #.3
 #Included in R&I/R Front Panel, Fender & Bumper Assy



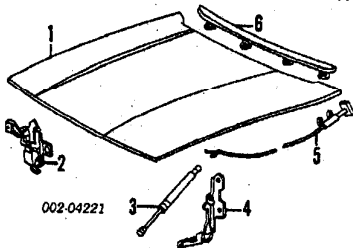
002-04220

1 Lamp, Side/Marker			
Base Model	R F2AZ 13200 A	#.3	104.48
	L F2AZ 13201 A	#.3	96.60
LX Model	R/L F2AZ 13200-1 B	#.3	104.48
#Included in R&I/R Front Panel, Fender & Bumper Assy			
2 Socket, Bulb			
Park Lamp	R/L F2AZ 13234 A		13.79
Cornering Lamp	R/L F2AZ 15A434 A		65.18
Bulb, Park Lamp	R/L F5AZ 13466 A	#.2	3.61
Bulb, Marker	R/L E3MY 13466 A	#.2	2.19
Bulb, Cornering	R/L F5DZ 13466 B	#.2	3.13
#Included in R&I Lamp Assy			

HOOD

Use Procedure Explanations 4 and 28 with the following text.

Refinish Hood Outside		3.2
Add for Underside		1.4
Refinish Hinge	R/L	.2
Refinish Hood Rear Moulding		.6
R&I Hood Assy		.5
R&I Hood Rear Mldg.		.4



002-04221

1 Panel, Hood			
1992	+F7AZ 16612 BB	1.1	412.93
1993-94 (a)	+F7AZ 16612 BB	1.1	412.93
1995-97	+F7AZ 16612 BB	1.1	412.93
*May Require Radiator Sight Shield (a) May Require Hood Stinker			
Striker, Hood	F3AZ 16K689 A	.2	20.61
Shield, Radiator Sight-See Cooling Section	F3AZ 16738 A	#.2	55.44
Retainer, Insulator	388908 S	#	.31
Lamp, Engine Compt	F2AZ 15A702 A	#.2	32.02
#Included in R&I Hood			
2 Latch, Hood			
1992	F2AZ 16700 C	.3	19.55
1993-97	F4AZ 16700 A	.3	26.25
3 Lift, Hood	R/L F3AZ 16C826 A-B	.2	36.37
4 Hinge	R/L F2AZ 16796-7 A	#.3	23.75
#w/Hood Removed, Included in R&I Fender			
5 Cable, Release	F2AZ 16916 A	.8	27.46
*Use w/16907 Hardware Kit			
Hardware Kit, Release Cable	F2AZ 16907 A		17.72
6 Moulding, Hood Rear (P)	F2AZ 16B918 A	#.5	43.05
(P) Paint to Match			
#Included in R&I Hood			
Seal, Hood Rear	F2AZ 16740 A	.1	24.49

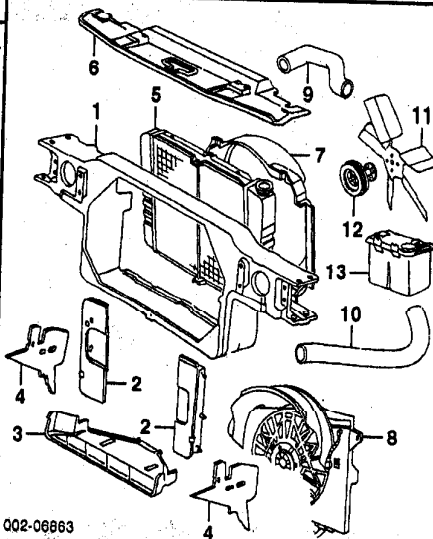
COOLING

Use Procedure Explanations 5 and 28 with the following text.

Refinish Radiator Support		1.5
Add to R&I Radiator Support		
To R&I Base Model Mechanical Components	m #.6	
#Includes R&I Air Bag Sensors, ABS Module & Bracket & A/C Condenser		
To Aim Lamps		.4
Evacuate & Recharge System	m 1.4	
Refrigerant Recovery	m .3	

Illustration Located in Next Column

1 Support, Radiator	92-94 F4AZ 16138 A	#3.6	270.40
	95-97 F5AZ 16138 A	#3.6	250.11
#Includes R&I Horn Assy, Upper & Lower Deflectors, Coolant Reservoir, Sight Shield, Hood Latch, Radiator & Shroud, Auxiliary Fan, Washer Reservoir, & Impact Absorbers, D&C Wiring Harness & Latch Cable			



002-06863

2 Deflector, Upper Air	92-93 R F2AZ 8310 A	.1	6.36
	L F1VY 8311 A	.1	10.80
	94 R/L F4AZ 8310-1 A	.1	14.35
	95-97 R F5AZ 8310 A	.1	13.02
	L F5AZ 8311 A	.1	13.66
3 Deflector, Lower Air	92-93 F2AZ 8349 A	.2	19.74
	94 F4AZ 8327 A	.2	54.18
	95-97 F6VY 8327 A	.2	33.72
4 Deflector, Outer Air	94-97 R F4AZ 8334 A	.1	12.88
	L F4AZ 8334 B	.1	11.91
5 Radiator			
w/Police	92-94 F1VY 8005 C	1.5	333.97
w/o Police	95-97 F5VY 8005 C	1.5	327.57
w/Tow Pkg	92-94 F1VY 8005 C	1.5	333.97
	95-97 F5VY 8005 C	1.5	327.57
w/o Tow Pkg	92-94 F1VY 8005 C	1.5	333.97
	95-97 F5VY 8005 C	1.5	327.57
Cap, Radiator	92 F1VY 8100 B		6.74
	93-95 F6DZ 8100 A		8.74
	96-97 F6DZ 8100 A		8.74
6 Shield, Radiator Sight			
1992	F2AZ 8C291 A	.2	29.82
To 5-91	F3AZ 8C291 B	.2	33.49
1993	F3AZ 8C291 B	.2	33.49
1994	F4AZ 8C291 A	.2	29.77
1995-97	F5AZ 8C291 A	.2	41.27
7 Shroud, Radiator			
1992-93	F2AZ 8146 A	.6	57.03
1994			
w/Police	F4AZ 8146 A	.6	45.22
w/o Police	F2AZ 8146 A	.6	57.03
8 Fan, Auxiliary	95-97 F5AZ 8C607 B	#.8	302.14
#Includes R&I Radiator Shroud			
9 Hose, Rad Upper	92-94 F2AZ 8260 A	.5	12.55
	95-97 F5AZ 8260 A	.5	18.49
10 Hose, Rad Lower			
1992-93	F2AZ 8286 A	#.6	59.04
#Add .3 to R&I Upper Rad Hose			
1994			
w/Police	F4AZ 8286 A	#.6	59.47
Front	F4AZ 8286 B	#.6	28.74
Rear			
#R&I Complete, Add .3 to R&I Upper Rad Hose			
w/o Police	F2AZ 8286 A	#.6	59.04
#Add .3 to R&I Upper Rad Hose			
1995-97			
w/Oil Cooler			
Front	F5AZ 8286 C	#.6	66.77
Rear	F5AZ 8286 B	#.6	26.43
#R&I Complete, Add .3 to R&I Upper Rad Hose			
w/o Oil Cooler	F5AZ 8286 A	#.6	66.45
#Add .3 to R&I Upper Rad Hose			
11 Blade, Fan			
w/Tow Pkg			
To 2-92	F2AZ 8600 A	#.8	91.35
To 2-92	F2AZ 8600 C	#.8	87.45
w/o Tow Pkg			
1992-93			
To 2-92	F1VY 8600 A	#.8	74.65
From 2-92	F2AZ 8600 B	#.8	65.96
1994-97	F5AZ 8600 A	#.8	92.70
12 Clutch			
1992-94			
w/Tow Pkg			
To 3-92	F2AZ 8A616 D	#.8	161.58
From 3-92	F6AZ 8A616 AA	#.8	112.25
w/o Tow Pkg	92 F1VY 8A616 A	#.8	84.92
	93-94 F3VY 8A616 A	#.8	107.33
1995-97			
To 11-95	F6AZ 8A616 AA	#.8	112.25
From 11-95	F6AZ 8A616 AA	#.8	112.25
#R&I Complete, w/Radiator Removed Deduct .5			
Pulley, Water Pump	F2AZ 8509 A	m #.8	51.50

#w/Fan Clutch Removed Deduct .6			
Belt, Drive			
1992			
To 5-91	F1VY 8620 C	.5	28.60
From 5-91	F2AZ 8620 A	.5	25.45
1993-97	F2AZ 8620 A	.5	25.45
Pump, Water			
To 3-96	F8AZ 8501 AA	m #1.6	93.51
From 3-96	F8AZ 8501 AA	m #1.6	93.51
#w/Radiator Removed Deduct .5			
13 Reservoir, Coolant	F3AZ 8A080 A	.2	44.70

A/C REFRIGERANT CAPACITIES

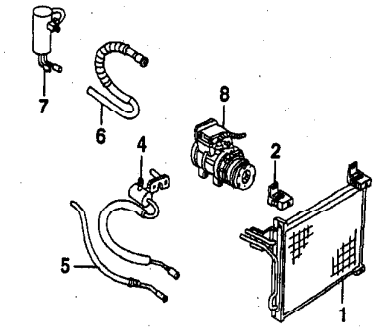
A/C R-12 Refrigerant Capacity
 1992: 36-40 Ozs (2.25-2.50 Lbs)
 1993: 38 Ozs (2.37 Lbs)
 A/C R-134 Refrigerant Capacity
 1994: 40-41 Ozs (2.5-2.56 Lbs)
 1995-97: 34 Ozs (2.12 Lbs)

AIR CONDITIONING/HEATER

Use Procedure Explanation 6 with the following text.

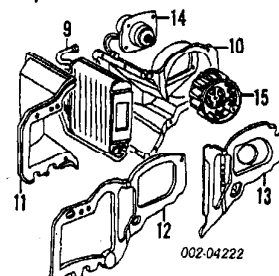
Evacuate & Recharge System	m 1.4
Refrigerant Recovery	m .3

NOTE: R&I/R Does Not include recover, evacuate and recharge system.



002-03832

1 Condenser	92-94 F2AZ 19712 A	m #1.3	443.19
	95-97 F7VZ 19712 AA	m #1.3	179.40
#w/Radiator Removed .8			
2 Bracket, Condenser	FOVY 19B594 A	m	13.25
3 Insulator, Condenser	FOVY 19C566 AM		4.23
4 Manifold & Tube	92-93 F1VY 19D734 Bm	.4	97.21
	94-97 F4VY 19D734 Am	.4	85.96
5 Hose, Liquid Line	F5VY 19835 A	m .6	36.07
6 Hose, Suction Line	92 F1VY 19867 B	m .6	60.97
	93 F3VY 19867 A	m .6	75.06
	94 F4VY 19867 A	m .6	71.26
	95-97 F5VY 19867 A	m .6	66.35
7 Drier & Hose	92 F1VY 19C836 Am	#.5	74.48
	93 F3VY 19C836 Am	#.5	74.94
	94-97 F7AZ 19C836 Am	#.5	55.04
#Included in R&I Evaporator			
8 Compressor	92-95 F7LZ 19703 AA	m 1.1	315.60
	96-97 F7LZ 19703 AA	m 1.1	315.60
Clutch	92 F1VY 19D786 Bm	#.9	35.91
	93 F1OY 19D786 Am	#.9	51.48
	94-95 F2CZ 19D786 Am	#.9	54.67
	96-97 F5VY 19D786 Am	#.9	26.96
	92 F1VY 19D784 Am	#.9	113.75
	93-95 F1SZ 19D784 Am	#.9	93.77
	96-97 F5VY 19D784 Am	#.9	87.67
#R&I Complete, Included in R&I Compressor			
Coil	92-95 E9SZ 19D798 Am	#1.1	43.21
	96-97 F5VY 19D798 Am	#1.1	35.94
#Includes R&I Clutch & Pulley, Included in R&I Compressor			



002-04222

9 Evaporator Case, Evaporator	F1VY 19860 A	m 3.8	199.17
10 Right	92-95 F6VZ 19A559 AAm		11.80
	96-97 F6VZ 19A559 AAm		11.80
11 Left	92-94 F2AZ 19A553 A	m	32.28
	95-97 F1VY 19A553 A	m	30.26
	FOVY 19C593 A	m	26.20
	F6VZ 19A586 AAm		7.57
12 Seal, Case/Dash			
13 Plate, Evaporator Mounting			
14 Motor, Blower			
1992-96	F4VZ 19805 BD	m #.6	89.57
1997	F7VZ 19805 AA	m #.6	48.73
15 Fan, Blower	F5VY 19834 A	m #.6	15.93

CROWN VICTORIA 1992-97

AIR CONDITIONING/HEATER Cont'd

#R&R Complete			
Core, Heater	E9AZ 18476 A	m 5.1	71.56
Chamber, Heater			
Man A/C	92 F2AZ 18471 A	m	d308.37
	93-94 F3AZ 18471 A	m	307.32
	95-97 F5AZ 18471 DC	m	155.99
ATC/EATC†	92-94 F5AZ 18471 DC	m	155.99
†Order by Application			

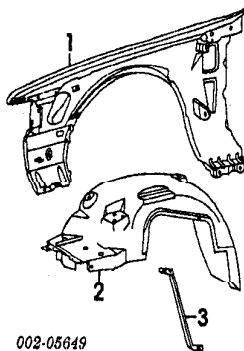
FRONT FENDER

Use Procedure Explanations 7 and 28 with the following text.

SHEET METAL

Refinish Fender Outside	R/L	2.5
Add to Edge Fender	R/L	5
R&I Fender Assy	R	#3.5
	L	#3.1

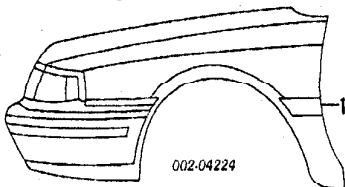
#Includes R&I Bumper, Hood & Park/Side Marker Lamp, Right Side Includes R&R/R Battery & Manual Antenna Assy



1 Fender			
1992-94	R F2AZ 16005 A	#3.9	305.00
	L F2AZ 16006 A	#3.5	305.00
#Includes R&I Bumper, Hood & Side Marker/Cornering Lamps, Right Side Includes R&R/R Battery & Manual Antenna Assy			
1995-97	R*F8AZ 16005 AA	#3.7	225.00
	L*F8AZ 16006 AA	#3.5	225.00
#Includes R&I Bumper, Hood & Park/Side Marker Lamp, Right Side Includes R&R Battery			
2 Apron, Fender			
92-94 R	F2AZ 16054 A	#1.7	118.07
	L F2AZ 16055 A	#1.3	118.07
95-97 R	F8AZ 16054 AA	#1.7	31.37
	L F8AZ 16055 AA	#1.3	31.37
#Right Side Includes R&R Battery, w/Fender Removed			
3 Brace, Fender			
	R F5AZ 16A023 A	.1	13.88
	L F5AZ 16A024 A	.1	18.80
Antenna Assy, Manual			
	F2AZ 10013 A	.5	59.35
Base/Cable, Manual Antenna†			
	F2AZ 18A984 A	.6	43.52
Mast, Manual Antenna†			
	D3AZ 18A886 A	.3	8.09
†Included w/Manual Antenna Assy			
Antenna Assy, Power			
Top Mounted	92 F2AZ 18850 A	1.0	152.39
Recessed	92-97 F2AZ 18850 B	1.0	152.39
Mast, Power Antenna†			
	F3AZ 18A886 A	.5	40.22
†Included w/Power Antenna Assy			

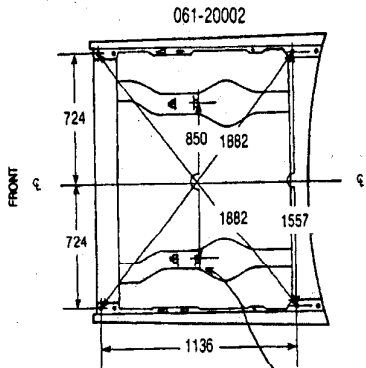
EXTERIOR TRIM

Refinish Side Moulding	R/L	.2
------------------------	-----	----



1 Moulding, Side† (P) (Adhesive)			
2" Wide			
w/Bright Insert	92-95 R/L	F5AZ 16036-7 PTM	.2 30.28
w/o Bright Insert	95-97 R	F7AZ 16036 PTMB	.2 29.93
	L	F7AZ 16037 PTMB	.2 32.09
3 1/3" Wide			
w/Bright Insert	92-94 R	F5AZ 16036 PTMB	.2 30.14
	L	F5AZ 16037 PTMB	.2 30.14
	95-97 R	F7AZ 16036 PTM	.2 29.93
	L	F7AZ 16037 PTM	.2 32.09
w/o Bright Insert	92-94 R	F5AZ 16036 PTMC	.2 26.79
	L	F5AZ 16037 PTMC	.2 26.79
†Order by Application (P) Paint to Match			
Nameplate			
Adhesive Type			
"Crown Victoria"	92-94 R/L	F2AZ 16098 A	.2 11.38
	95-97 R/L	F5AZ 16098 A	.2 11.38
"Touring Sedan"	92 R/L	F2AZ 16098 B	.2 12.75

UNDERHOOD DIMENSIONS



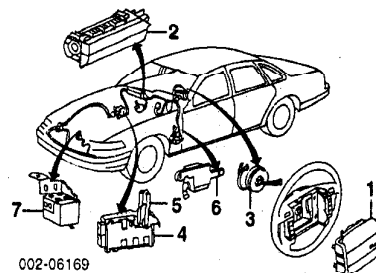
Note: Measure to Head of Bolt - Upper Control Arm Front Pivot

AIR BAG SYSTEM

Disable & Enable Air Bag System	m	.2
Diagnose Air Bag System (If Required)	m	.5

NOTE 1: R&R Does Not include disable and enable or diagnose Air Bag System.

NOTE 2: Refer to Procedure Explanation 30 for Supplemental Restraint/Air Bag System Component Inspection and Replacement Information.



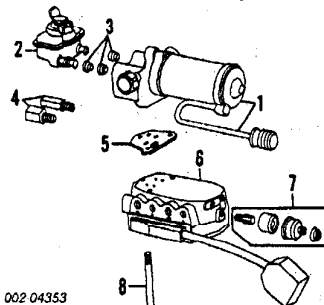
Module, Air Bag			
1 Driver			
1992			
Blue	F2AZ 54043B13 Am	.5	600.00
Cranberry	F2AZ 54043B13 Cm	.5	600.00
Ebony	F2AZ 54043B13 Em	.5	600.00
Mocha	F2AZ 54043B13 Bm	.5	600.00
Titanium	F2AZ 54043B13 Dm	.5	600.00
1993-94			
Aqua	F3AZ 54043B13 D m	.5	600.00
Cranberry	F3AZ 54043B13 C m	.5	600.00
Current	F4AZ 54043B13 Am	.5	600.00
Mocha	F3AZ 54043B13 Bm	.5	600.00
Opal	F3AZ 54043B13 Em	.5	600.00
Portofino Blue	F4AZ 54043B13 Bm	.5	600.00
Shadow Blue	F3AZ 54043B13 Am	.5	600.00
1995			
Current	F5AZ 54043B13 Bm	.5	550.00
Graphite	F5AZ 54043B13 Em	.5	550.00
Portofino Blue	F5AZ 54043B13 Cm	.5	550.00
Saddle	F5AZ 54043B13 Am	.5	550.00
Willow	F5AZ 54043B13 Dm	.5	550.00
1996			
Cordovan	F6AZ 54043B13 AABm	.5	550.00
Graphite	F6AZ 54043B13 AAm	.5	550.00
Portofino Blue	F6AZ 54043B13 AACm	.5	550.00
Saddle	F6AZ 54043B13 AAEm	.5	550.00
Willow	F6AZ 54043B13 AADm	.5	550.00
1997			
Denim	F6AZ 54043B13 AAG m	.5	550.00
Tan	F6AZ 54043B13 AAF m	.5	550.00
2 Passenger			
1992			
Cranberry	F2AZ 54044A74 Cm	.7	772.61
Ebony	F2AZ 54044A74 Em	.7	772.61
Mocha	F2AZ 54044A74 Bm	.7	772.61
Shadow Blue	F2AZ 54044A74 Am	.7	772.61
Titanium	F2AZ 54044A74 Dm	.7	772.61
1993-94			
Aqua	F3AZ 54044A74 D m	.7	772.61
Cranberry	F3AZ 54044A74 C m	.7	772.61
Current	F4AZ 54044A74 Am	.7	772.61
Mocha	F3AZ 54044A74 Bm	.7	772.61
Opal	F3AZ 54044A74 Em	.7	772.61
Portofino Blue	F4AZ 54044A74 Bm	.7	772.61
Saddle	F3AZ 54044A74 Am	.7	772.61

1995			
Current	F5AZ 54044A74 Bm	.7	625.00
Graphite	F6AZ 54044A74 AVAm	.7	625.00
Portofino Blue	F6AZ 54044A74 AVDm	.7	625.00
Saddle	F6AZ 54044A74 AVCm	.7	625.00
Willow	F6AZ 54044A74 AVEm	.7	625.00
1996			
Cordovan	F6AZ 54044A74 AVFm	.7	625.00
Graphite	F6AZ 54044A74 AVAm	.7	625.00
Portofino Blue	F6AZ 54044A74 AVDm	.7	625.00
Saddle	F6AZ 54044A74 AVCm	.7	625.00
Willow	F6AZ 54044A74 AVEm	.7	625.00
1997			
Denim	F7AZ 54044A74 AVBm	.7	656.26
Prairie Tan	F7AZ 54044A74 AVAm	.7	625.00
3 Clockspring, Air Bag			
92	F1VY 14A664 Dm	#1.1	81.76
93	F3AZ 14A664 A m	#1.1	88.20
94	F4AZ 14A664 A m	#1.1	99.02
95	F5AZ 14A664 A m	#1.1	96.83
96	F7AZ 14A664 AAm	#1.1	36.67
97	N.A.	m #1.1	N.A.
#Includes R&R Steering Wheel			
4 Monitor, Air Bag			
92-94	F2AZ 14B056 A m	.7	151.31
95-96	F6AZ 14B215 ACm	.7	210.00
97	N.A.	m .7	N.A.
5 Brkt, Monitor			
92-94	F2AZ 14B058 A m	.7	10.33
95-97	F5AZ 14B058 A m	.7	11.47
Sensor Kit, Air Bag			
To 9-91	F2AZ 14B004 C m	.9	243.06
From 9-91-Serviced by Individual Sensors			
6 Sensor, Air Bag Rear			
To 9-91-Serviced by Air Bag Sensor Kit			
From 9-91			
1992-94	F1VY 14B007 A m	.5	83.04
1995-97-Serviced w/Air Bag Monitor			
7 Sensor, Air Bag Front			
To 9-91-Serviced by Air Bag Sensor Kit			
From 9-91			
1992-94	R/L F2AZ 14B004 B m	#5	89.86
1995-97	R/L F5AZ 14B004 A m	#5	79.41
#R&R Both .7			

ABS/BRAKES

Bleed System	m	.6
--------------	---	----

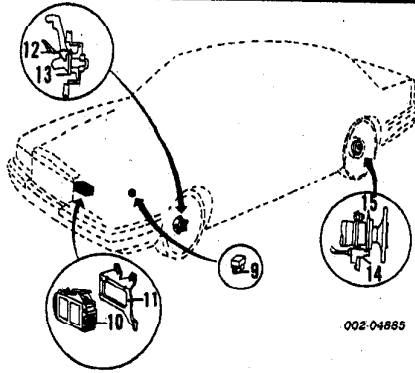
NOTE: R&R Does Not include bleed system.



1 Pump, ABS			
92-94	F2DZ 2C256 A m	1.1	366.13
95-97	F5AZ 2C256 A m	1.1	456.57
2 Reservoir, Pump			
1992-93			
Master Cyl Mounted	FOVY 2C246 A m	1.0	30.69
Hyd Cont Unit Mounted	F2DZ 2C246 A m	1.0	50.18
1994-97	F3LY 2C246 A m	1.0	65.66
3 Seal Kit, Pump			
FOVY 2L074 A m 2.32			
4 Insert, Booster			
10mm FODZ 2C306 A m 12.30			
12mm FODZ 2C306 B m 11.30			
5 Gasket, Pump			
92-94	F3LY 2C254 A m	13.25	
95-97	F5AZ 2C254 A m	11.47	
6 Valve, Pressure Cont			
w/Traction Assist			
1992-93			
To 2-19-92	F1VY 2C266 A m	1.5	788.60
From 2-19-92	F2AZ 2C266 B m	1.5	823.70
1994	F4AZ 2C266 A m	1.5	856.56
1995-97	F5AZ 2C266 A m	1.5	947.93
w/o Traction Assist	92-93 F2AZ 2C266 A m	1.5	829.74
7 Insulator Kit			
FODZ 2C229 A m 29.78			
8 Bolt, Mounting (3)			
92-94	F3LY 2C329 A m	3.12	
95-97	F5AZ 2C329 A m	3.37	

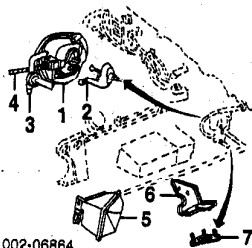
Illustration Located in Next Column

9 Relay, Anti Skid			
F1DZ 2C013 A m .3 35.94			
10 Module, Antilock			
1992-94			
F1VY 2C219 A m .5 580.75			
1995			
F6AZ 2C219 AAm .5 421.18			
1996-97			
w/Police F6AZ 2C219 BAm .5 547.00			
w/o Police F6AZ 2C219 AAm .5 421.18			
F2AZ 2C214 A m 25.59			
11 Bracket, Module			
92-94 R/L FOVY 2C204 A m #.6 61.96			
95-97 R/L F5AZ 2C204 A m #.6 44.94			
#R&R Both Sides 1.0			
13 Indicator, Frt ABS Sensor			
See Front Suspension Section			



- 14 Sensor, Rear ABS 92-94 R/L F1VY 2C190 A m #.6 39.43
95-97 R/L F5AZ 2C190 A m #.6 39.43
- #R&R Both Sides .7
- 15 Indicator, Rear ABS Sensor
See Rear Suspension Section

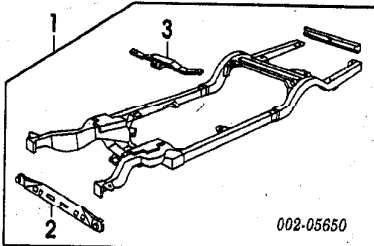
CRUISE CONTROL SYSTEM



- 1 Servo 1992
w/Elect O/D Trans F8VZ 9C735 BA m .5 253.52
w/o Elect O/D Trans E6FZ 9C735 A m .5 165.00
- 1993-94 F8VZ 9C735 BA m .5 253.52
- 1995-97 F8AZ 9C735 AA m .5 165.00
- 2 Actuator 92 F1VY 9A825 A m .2 37.93
93-94 F4VY 9A825 A m .2 37.05
95 F5VY 9A825 A m .2 37.05
96-97 F6VZ 9A825 A m .2 38.45
F2AZ 17A805 A m 16.38
- 3 Hose, Actuator
- 4 Wiring, Sensor 1992
w/Elect W/S Defroster F2AZ 12A581 D m 852.68
w/o Elect W/S Defroster F2AZ 12A581 C m 240.40
w/Elect O/D F2AZ 12A581 A m 259.88
1993 F3AZ 12A581 A m 299.90
1994 F4AZ 12A581 A m 270.10
1995 F5AZ 12A581 A m 271.53
1996-97 F6AZ 12A581 BG m 252.52
- 5 Reservoir, Vacuum F1VY 9E799 A m 33.33
- 6 Bracket, Reservoir E4AZ 9B736 A m 4.55
- 7 Plate, Bracket F1VY 9C809 A m 7.36

FRAME

Use Procedure Explanation 9 with the following text.



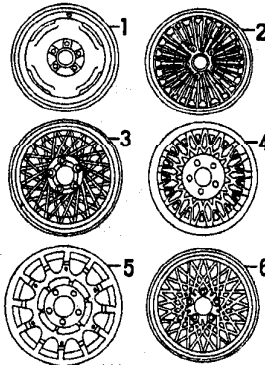
- 1 Frame Assy 1992-94
w/Police F3AZ 5005 A 29.0 2721.73
w/o Police F3AZ 5005 A 29.0 2721.73
- 1995
w/Police F7AZ 5005 BA 29.0 2722.48
w/o Police F7AZ 5005 AA 29.0 2027.99
- 1996
w/Police F7AZ 5005 BA 29.0 2722.48
w/o Police F7AZ 5005 AA 29.0 2027.99
- 1997
w/Police F7AZ 5005 BA 29.0 2722.48
w/o Police F7AZ 5005 AA 29.0 2027.99
- 2 Crossmember, Front 92-94 F1VY 5019 A 1.5 39.03
95-97 F6AZ 5019 A 1.5 27.18
FOAZ 5027 A #1.1 98.96
- 3 Crossmember No. 2 1992-94 F3AZ 5005 A 29.0 2721.73
1995 F7AZ 5005 BA 29.0 2722.48
1996 F7AZ 5005 AA 29.0 2027.99
1997 F7AZ 5005 BA 29.0 2722.48
F7AZ 5005 AA 29.0 2027.99

Included w/Frame Assy
Includes R&R Trans Mount

WHEEL

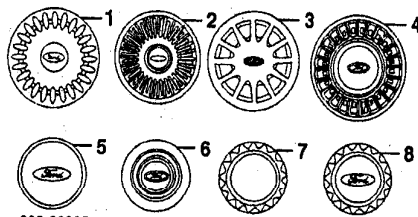
Use Procedure Explanation 10 with the following text.

- Refinish Wheel5
- Add to R&I Spare Wheel & Tire Assy2



- 1 Wheel, Steel w/Police F5AZ 1007 A .3 90.38
w/o Police F5AZ 1007 A .3 90.38
- 2 Wheel, Aluminum 92 F4AZ 1007 A .3 424.29
93-97 F3AZ 1007 D .3 357.54
- 3 15x6.50
- 4 15x6.50 Light Argent 92 F2AZ 1007 C .3 338.45
Metallic Argent 92 F2AZ 1007 B .3 424.29
- 5 15x6.50 95-97 F5AZ 1007 AC .3 365.53
93-97 F3AZ 1007 E .3 398.46
- 6 16x7.00

WHEEL COVER/HUB CAP



- 1 Cover, Wheel 1 Deluxe 16 3/8" 92-97 F2AZ 1130 A 56.38
- 2 Lacy Design 15 1/2" 96-97 F6MZ 1130 AA 96.71
16 3/8" Wire 92-97 F2AZ 1130 B 158.50
95-97 F5AZ 1130 A 48.88
- 3 Spoke 10 3/4"
- 4 Cover, Wheel Slot Design E8AZ 1130 A 69.44
- 5 Cap, Hub 11" FOAZ 1130 A 26.84
- 6 6 1/4" Star Shape F3AZ 1130 A 31.72
- 7 Plain 92 F2AZ 1130 C 27.98
93-94 F2AZ 1130 D 29.47
95-97 F5AZ 1130 A 48.88
- 8 Ford Logo F2AZ 1141 A 17.76
- Ornament, Cover

FRONT SUSPENSION

Use Procedure Explanation 11 with the following text.

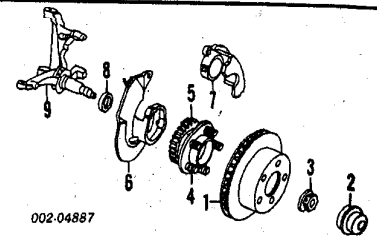
- R&I Suspension (One Side) R/Lm 2.8
- O/H Suspension (Includes R&I) One Side R/Lm 3.5
- Both Sides m 6.5
- Adjust Front Alignment m 1.8
- Bleed Brake System w/ABS m .6
w/o ABS m .3

NOTE 1: R&I/R&R or O/H Does Not include alignment or bleed brake system.

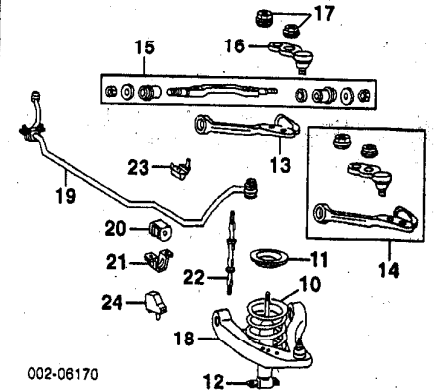
NOTE 2: All Parts in this section are included in overhaul unless noted otherwise.

Illustration Located in Next Column

- 1 Rotor, Brake 92-94 R/L F3VY 1125 A m #.6 85.00
95-97 H/L F5AZ 1125 CA m #.6 85.00
- #R&R Both 1.0



- 2 Cap, Dust R/L F1VY 1N135 A 5.14
- 3 Retainer, Hub R/L F3LY 3B477 A 6.77
- 4 Hub 1 w/ABS R/L F7AZ 1104 AC m #1.1 93.56
w/o ABS R/L F7AZ 1104 AC m #1.1 93.56
- #Includes Wheel Bearings & ABS Indicator
- 5 Indicator, ABS-Serviced w/Hub Assy
- 6 Shield, Splash 92-94 R F2AZ 2K004 B m #1.1 17.85
L F2AZ 2K005 B m #1.1 15.74
95-97 R F5AZ 2K004 A m #1.1 14.72
L F5AZ 2K005 A m #1.1 15.74
- #R&R One Side Complete, Includes R&R Rotor
- 7 Caliper, Brake 1992-94 To 11-1-93 R F1VY 2B120 A m #.5 94.25
L F1VY 2B121 A m #.5 139.59
From 11-1-93 R/L F3VY 2B120-1 Am #.5 127.70
1995-97 R/L F5AZ 2B120-1 Am #.5 161.51
- #R&R Both .8, w/Rotor Removed Deduct .4
- 8 Gasket, Splash Shield R/L D8BZ 2B160 A m 6.56
- 9 Knuckle 92-94 R F1VY 3105 A m #1.8 361.95
L F1VY 3106 A m #1.8 366.27
95-97 R/L F5AZ 3105-6 A m #1.8 235.43
- #Includes R&R Hub, Rotor & Splash Shield



- 10 Spring, Coil 1992-94 R/L D9AZ 5310 N m #1.6 101.80
- 11 Insulator, Spring R/L C9AZ 5415 B m 3.93
- 12 Absorber, Shock 92-94 R/L F7AZ 18124 AA m #.6 24.95
95-97 R/L F7AZ 18124 AA m #.6 24.95
- #R&R Both 1.0, w/Lower Control Arm Removed Deduct .4
- Arm Assy, Upper Control 1992-94 R F1VY 3082 A m #1.6 219.72
L F1VY 3083 A m #1.6 215.53
1995 1996 1997 R F7AZ 3084 AA m #1.6 112.07
L F7AZ 3085 AA m #1.6 109.80
- 1996-97 1997 R F7AZ 3084 BA m #1.6 114.20
L F6AZ 3085 BA m #1.6 119.28
w/o Tow Pkg R F7AZ 3084 AA m #1.6 112.07
L F7AZ 3085 AA m #1.6 109.80

- #Includes Upper Ball Joint
- 15 Shaft Kit, Uptr Arm 92-94 R/L D9AZ 3047 A m #1.6 61.78
- 16 Joint, Upper Ball 1992-94 R F1VY 3049 B m #1.6 105.26
L F1VY 3049 A m #1.6 107.33
1995 1996 1997 R/L F7AZ 3049 AA m #1.6 52.28
R/L F7AZ 3049 AA m #1.6 52.28
- #Included w/Upper Control Arm Assy
- 17 Cam, Upper Arm (2/Side) R/L F1VY 3C178 A m #1.6 13.95
- #R&R One Side Complete, w/Knuckle Removed Deduct 1.2
- 18 Arm, Lower Control 92-94 R/L F8VZ 3078-9 CA m #2.0 165.98
95 R F8VZ 3078 BA m #2.0 171.40
L XW1Z 3079 BA m #2.0 167.88
96-97 R F8VZ 3078 BA m #2.0 171.40
L XW1Z 3079 BA m #2.0 167.88
- #Includes R&R Spring, w/Knuckle Removed Deduct 1.6
- 19 Bar, Stabilizer 92-94 F3VY 5482 A m #.8 152.95
95-97 F5AZ 5482 A m #.8 140.55
- #Includes R&R Bar Bushing, Bar Bracket & Bar Link Kit, Deduct .1 w/Each Lower Control Arm Removed, Not Included in O/H
- 20 Bushing, Bar 92-94 R/L F1VY 5493 B m #.4 11.42
95-97 R/L F4AZ 5493 A m #.4 10.40
- #Includes R&R Bar Bracket, Not Included in O/H
- 21 Bracket, Bar R/L F1VY 5486 A m #.2 6.93
- #Not Included in O/H

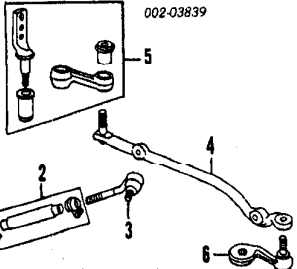
CROWN VICTORIA 1992-97

FRONT SUSPENSION Cont'd

22 Link, Bar	92-94 R/L F4AZ 5K484 A m #.4	49.58
	95-97 R/L F6AZ 5K484 AA m #.4	41.72
<i>#Not Included in O/H, Deduct .1 w/Lower Control Arm Removed</i>		
Bumper, Cont Arm		
23 Upper	R/L F1VY 3020 B m .2	8.25
24 Lower	R/L F1VY 3020 A m .2	5.89

STEERING LINKAGE

NOTE: R&R Does Not include adjust wheel alignment.

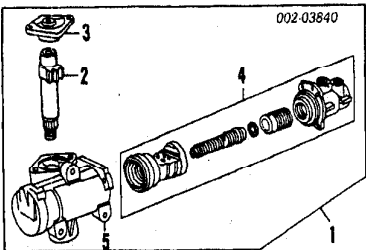


1 End, Outer Tie Rod	1992-94 R/L F5AZ 3A130 A m .2	30.11
	1995-97 R/L F5AZ 3A130 A m .2	30.11
2 Sleeve, Adj	92-94 R/L D9AZ 3310 A m .1	18.15
	95-97 R/L F5AZ 3310 A m .1	12.38
3 End, Inner Tie Rod	1992-94 R/L F5AZ 3A131 A m #.6	30.11
	1995-97 R/L F5AZ 3A131 A m #.6	30.11
<i>#Includes R&R Outer Tie Rod End & Adjusting Sleeve</i>		
4 Rod, Relay	92-94 D9AZ 3304 A m 1.0	118.41
	95-97 F5AZ 3304 A m 1.0	104.67
5 Arm, Idler	E9AZ 3355 A m .9	85.71
6 Arm, Pitman	92 E0AZ 3590 B m .7	66.97
	93-94 F3AZ 3590 A m .7	52.23
	95-97 F8AZ 3590 AA m .7	34.82

STEERING GEAR

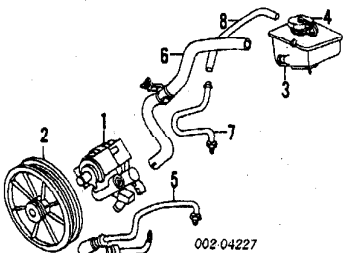
R&I Steering Gear	m 1.5
O/H Steering Gear (Includes R&I)	m 3.3
Add to R&I/R&R or O/H Steering Gear To Bleed System	m .4

NOTE: All Parts in this section are included in overhaul unless noted otherwise.



1 Gear Assy	F8AZ 3504 ABRm	1.5	259.19
<i>#Order by Application</i>			
2 Shaft, Sector (a)	F6AZ 3575 AA m 1.9	118.07	
3 Cover, Sector Shaft (a)	E3AZ 3580 A m .4	45.94	
4 Shaft & Cont, Input (a)	F3AZ 3D517 A m IOH	429.78	
5 Housing, Gear (a)	E4AZ 3548 A m 3.3	276.85	
<i>(a) Included w/Gear Assy</i>			

STEERING PUMP



1 Pump, Steering	F8AZ 3A674 CAPMm	#1.6	165.73
<i>#To Bleed System Add .4</i>			
2 Pulley, Pump	92 F1VY 3A733 B m #1.0	27.87	
	93-97 F6AZ 3A733 AA m #1.0	19.83	
<i>#Included in R&R Pump Belt, Drive-See Cooling Section</i>			
3 Reservoir, Fluid	F3AZ 3E764 A m .7	43.50	
4 Cap, Reservoir-Serviced w/Fluid Reservoir	F5AZ 3A719 A m .5	33.75	
5 Hose, Pressure	92-93 F2AZ 3A719 A m .5	32.75	
	94-97 F5AZ 3A719 A m .5	33.75	
6 Hose & Sleeve, Pressure	F1VY 3691 A m .5	24.25	
7 Tube, Return	F1VY 3A713 D m .3	16.05	
8 Hose, Return	F2AZ 3A713 B m .3	20.22	

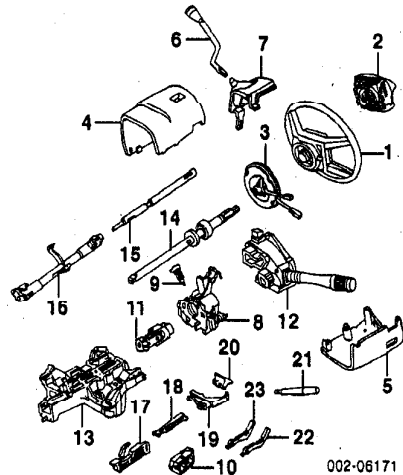
Order by Application

Cooler, Oil		
1992-94	F2AZ 3D746 A m .7	61.30
1995-97	F5AZ 3D746 B m .7	119.83
w/Police	F5AZ 3D746 A m .7	61.87

STEERING WHEEL/COLUMN

Refinish Lock Hsg Cover Upper	m .3
Refinish Lock Hsg Cover Lower	m .3
R&I Steering Column	m 1.8
R&R Ignition Lock Cyl	m .5
O/H Steering Column (Includes R&I)	m 2.9

NOTE: All Parts in this section are included in overhaul unless noted otherwise.



1 Wheel, Steering	92-93 F3AZ 3600 H m .8	615.59
w/Leather Wrap	94 F4AZ 3600 D m .8	350.35
	95 F5AZ 3600 P m .8	d275.00
	96-97 F6AZ 3600 AACm	.8 377.12
w/o Leather Wrap		
w/Speed Control	92 F3AZ 3600 E m .8	549.13
	93 F3AZ 3600 E m .8	549.13
	94 F4AZ 3600 N m .8	456.78
	95 F5AZ 3600 J m .8	d141.67
	96-97 F6AZ 3600 AAHm	.8 203.97
w/o Speed Control	92-93 F0AZ 3600 F m .8	480.90
	94 F4AZ 3600 H m .8	583.67
	95 F5AZ 3600 C m .8	d141.67
	96-97 F6AZ 3600 AANm	.8 216.23

Blue listed, Order by Application

2 Module, Air Bag-See Air Bag System Section		
Cover, Horn	92-93 R/L F2AZ 13A805 BA AAm	.2 21.25
	94-95 R/L F4AZ 13A805 BB AAm	.2 21.25

Blue listed, Order by Application

3 Clockspring, Air Bag-See Air Bag System Section		
Cover, Lock Housing (P)		
4 Upper	F2AZ 3530 B m #.3	19.13
5 Lower	F2AZ 3530 A m #.3	18.76

(P) Paint to Match

6 Lever, Shift	92 F2AZ 7210 A m .6	65.83
	93-97 F5AZ 7210 A m .6	53.28
7 Seal, Housing	92 F0DZ 3D677 D m	13.74
	93-94 F3AZ 3D677 G m	12.90
	95-97 F5AZ 3D677 E m	13.35

Black listed, Order by Application

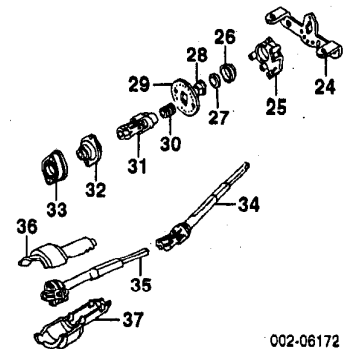
8 Housing, Lock	F6DZ 3511 A m .9	41.53
-----------------	------------------	-------

9 Cylinder Kit, Lock		
1992-94 w/Illuminated Entry	F5AZ 5422050 B #	98.47
w/o Illuminated Entry	F5AZ 5422050 C #	72.17
1995-97	F5AZ 5422050 B #	98.47

Includes Door Lock Cylinders

#Not Included in O/H, See Headnotes for Component

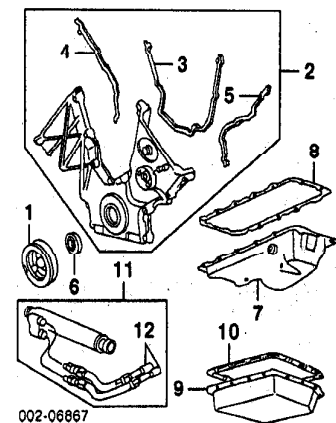
10 Switch, Ignition	F4DZ 11572 B m .6	23.13
11 Yoke, Lock Housing	92-94 F3DZ 3N725 A m 2.0	94.99
	95-97 F7DZ 3N725 AAm 2.0	39.20
12 Switch, Turn Signal/Wiper		
1992-94	XW3Z 13K359 AAm .6	72.70
1995-97	F5AZ 13K359 AAm .6	72.70
13 Housing, Strg Actuator	92-94 F2DZ 3F723 A m 2.2	101.45
	95-97 F5AZ 3F723 A m 2.2	73.98
14 Shaft, Upper	F5DZ 3524 A m 1.9	67.31
15 Shaft, Upper Selector	F0DZ 7R264 A m #1.9	42.70
16 Shaft, Lower Selector	F2DZ 7D282 A m #1.9	7.47
<i>#R&R Complete</i>		
17 Actuator, Lever Lock	F0DZ 3E715 A m	7.82
18 Actuator, Column Lock	F2DZ 3E723 A m	9.88
19 Lever, Release	F0DZ 3D544 A m	10.23
20 Cam, Column Lock	F0DZ 3E695 A m	3.51
21 Handle, Tilt Lever, Lock	F3DZ 3F609 A m .1	4.82
22 Right	F2DZ 3B661 A m	7.07
23 Left	F2DZ 3D653 A m	5.27



24 Bracket, Mounting	F2DZ 3E660 A m	7.95
25 Retainer, Bearing	F0DZ 3D681 A m	15.42
26 Sleeve, Bearing		
Upper	F0DZ 3518 B m	3.33
Lower	F0DZ 3518 A m	2.01
27 Bearing, Lwr Column	F4DZ 3517 C m	5.87
28 Ring, Tolerance	92-94 F0DZ 3L539 G m	12.55
	95-97 F5DZ 3L539 A m	5.08
29 Ring, Sensor	F0DZ 3C131 A m	5.79
30 Spring, Lwr Bearing	92-94 F0DZ 3C674 A m	4.52
	95-97 F5DZ 3C674 A m	4.97
31 Yoke, Lwr Shaft	92-94 F3DZ 3N725 AAm	94.99
	95-97 F7DZ 3N725 AAm	39.20
32 Boot, Column Tube	F2AZ 3F611 A m	35.49
33 Collar, Column	F2AZ 3F567 A m	16.80
34 Shaft, Intermediate	92-94 F1VY 3B676 B m #1.9	100.50
	95-97 F8AZ 3B676 ABm #1.9	129.87
35 Shaft, Lower	92-94 F1VY 3B676 A m #1.9	101.38
	95-97 F8AZ 3B676 AAm #1.9	141.72
<i>#R&R Complete, w/Steering Column Removed Deduct 1.4, Not Included in O/H</i>		
Shield, Shaft U-Joint		
36 Upper	92-96 F1VY 3F540 A m #.3	7.35
	97 F7AZ 3F540 AAm #.3	4.55
37 Lower	92-96 F1VY 3F540 B m #.3	7.35
	97 F7AZ 3F540 BAm #.3	4.55
<i>#R&R Complete, Included in R&R Lower Shaft, Not Included in O/H</i>		

ENGINE/TRANS

R&I Engine Assy	m 7.2
-----------------	-------

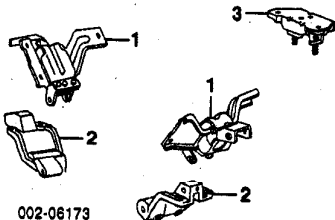


1 Damper, Vibration		
To 6-22-92	F1AZ 6316 A m 1.0	81.22
From 6-22-92	F3AZ 6316 A m 1.0	79.64
2 Cover Assy, Timing		
2 1992	F1AZ 6019 A m 4.9	172.79
1993-94	F5AZ 6019 A m 4.9	431.66
1995	F5AZ 6019 A m 4.9	431.66
1996	F8ZZ 6019 CA m 4.9	201.55
1997	F8ZZ 6019 CA m 4.9	201.55
Gasket, Timing Cover		
3 Center	92-95 F1AZ 6020 B m	9.80
	96-97 F6AZ 6020 BB m	5.91
4 Right	F1AZ 6020 A m	4.81
5 Left	F1AZ 6020 C m	4.81
<i>#Included w/Timing Cover Assy</i>		
6 Seal, Cover	F5AZ 6700 A m	7.30
7 Pan, Eng Oil	92-95 F1AZ 6675 A m 6.1	75.09
	96-97 F6AZ 6675 CC m 6.1	56.11
	F4AZ 6710 A m	27.42
8 Gasket, Eng Oil Pan		
Pump, Fuel-See Fuel Tank Section		
9 Pan, Trans	92-95 F6AZ 7A194 A m 1.5	20.40
	96-97 F6AZ 7A194 A m 1.5	20.40
	F2VY 7A191 A m	13.88
10 Gasket, Trans Pan		
<i>#Reusable, Refer to Mfg Manual for Cleaning Procedure</i>		
11 Cooler Assy, Eng Oil		
w/Tow Pkg/Police	94 F4PZ 6A642 AAm .7	145.57
	95-97 F6PZ 6A642 AAm .7	252.79

CROWN VICTORIA 1992-97

12 Hose, Eng Oil Cooler ⁽¹⁾ (2)				
1994	F4PZ 6A715 AA m	.7	66.62	
1995-97	F6AZ 6A715 AA m	.7	56.01	
‡Included w/Eng Oil Cooler Assy				

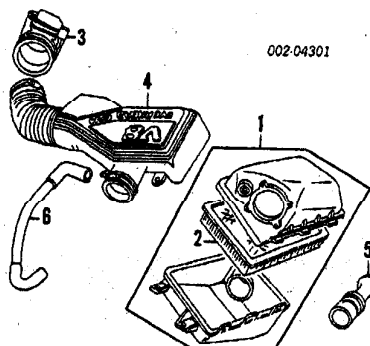
ENGINE MOUNTS



1 Mount, Front	R F4AZ 6038 A	#4.7	52.81
	L F4AZ 6038 B	#4.9	55.81
‡R&R Both 5.0			
2 Support, Front Mount	R F2AZ 6K060 A	#2	21.26
	L F2AZ 6K061 A	#2	22.33
‡w/Front Mount Removed			
3 Mount, Rear			
To 2-5-92	F2AZ 6068 A	.7	68.59
From 2-5-92	F2AZ 6068 C	.7	39.82

AIR CLEANER

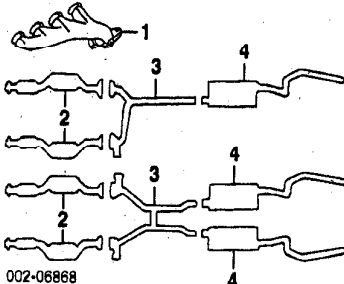
R&I Air Cleaner..... 3



1 Cleaner Assy, Air	92-94 F2AZ 9600 B m	.5	299.63
	95 F5AZ 9600 A m	.5	284.07
	96-97 F6AZ 9600 AA m	.5	242.05
	ESTZ 9601 B		8.41
‡Included w/Air Cleaner Assy			
2 Element, Cleaner ⁽¹⁾			
3 Sensor, Air Flow (a)	92-94 F2VY 12B579 A m	.5	165.91
	95 F5VY 12B579 B m	.5	204.28
	96-97 F6ZZ 12B579 AA m	.5	122.11
(a) Order by Application			
4 Tube, Air Outlet	92-95 F5AZ 9B659 B	.2	82.68
	96-97 F6AZ 9B659 BF	.2	78.20
5 Tube, Air Intake	F5AZ 9A624 AA	.2	13.57
6 Tube, By-Pass	F6AZ 9H308 AE	.2	11.84

EXHAUST

R&I Exhaust System Complete Less Manifolds			
Single Exhaust.....		1.5	
Dual Exhaust.....		2.0	
R&R Exhaust System Complete Less Manifolds			
Single Exhaust.....		2.4	
Dual Exhaust.....		3.0	



1 Manifold, Exhaust	92-93 R F1AZ 9430 B	m #6.1	260.58
	L F1AZ 9431 B	m #6.1	229.37
	94 R F5AZ 9430 A	m #6.1	180.62
	L F5AZ 9431 A	m #6.1	174.97
	95-97 R F5AZ 9430 A	m #6.1	180.62
	L F5AZ 9431 A	m #6.1	174.97
‡R&R Both 7.7			
2 Converter, Catalytic			
1992-93	R F4AZ 5E212 B	#9	924.95
	L F4AZ 5E212 D	#9	490.19

1994	w/Calif Emissions	R F4AZ 5E212 A	#.9	437.66
		L F4AZ 5E212 C	#.9	692.51
	w/o Calif Emissions	R F4AZ 5E212 B	#.9	924.95
		L F4AZ 5E212 D	#.9	490.19
1995		R/L F5AZ 5E212 A-B	#.9	516.43
1996-97		R F6AZ 5E212 DB	#.9	355.24
		L F6AZ 5E212 DC	#.9	554.98

#R&R Both 1.5

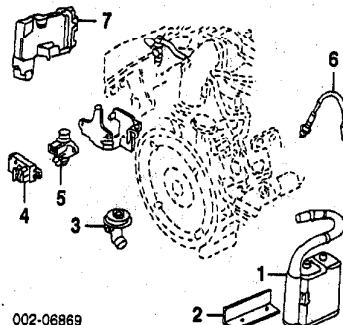
3 Pipe, Muffler Inlet			
Single Exhaust			
1992-93	F2AZ 5246 C	.8	52.11
1994			
w/Calif Emissions	F4AZ 5246 D	.8	80.37
w/o Calif Emissions	F2AZ 5246 C	.8	52.11
1995-97	F5AZ 5246 B	.8	60.28
Dual Exhaust			
1992-93	F2AZ 5246 D	.8	86.04
1994			
w/Calif Emissions	F4AZ 5246 A	.8	86.04
w/o Calif Emissions	F4AZ 5246 B	.8	91.59
1995-97	F5AZ 5246 A	.8	91.59

4 Muffler & Pipe

Single Exhaust			
92	F4AZ 5230 A	1.1	157.61
93-94	F4AZ 5230 A	1.1	157.61
95-97	F5AZ 5230 B	1.1	154.07
Dual Exhaust			
1992	R F4AZ 5230 A	#1.1	157.61
	L F4AZ 5230 B	#1.1	165.11
1993-94	R F4AZ 5230 A	#1.1	157.61
	L F4AZ 5230 B	#1.1	165.11
1995-97			
w/Police	R F5AZ 5230 B	#1.1	154.07
	L F5AZ 5230 E	#1.1	177.05
w/o Police	R F5AZ 5230 C	#1.1	173.59
	L F5AZ 5230 D	#1.1	182.26

#R&R Both 2.0

EMISSION SYSTEM

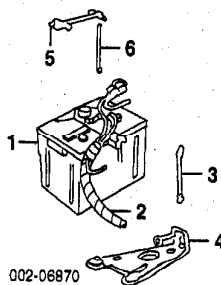


1 Canister, Vapor	92-94 E2ZZ 9D653 A m	.5	76.01
	95-97 F5AZ 9D653 B m	.5	99.43
2 Brkt, Vapor Canister	92-94 F2AZ 9D665 A		96.64
	95-97 F5AZ 9D665 B m		16.09
3 Valve, EGR ⁽¹⁾	XL3Z 9D475 BA m	1.9	47.80
4 Sensor, EGR Pressure ⁽¹⁾			
1992-94	F2SZ 9J460 A m	.8	90.25
1995-97	F4ZZ 9J460 B m	.8	65.15
5 Control, EGR Vacuum Reg ⁽¹⁾			
1992-95	FOTZ 9J459 A m	.5	29.62
1996-97	F5TZ 9J459 C m	.5	22.39
6 Sensor, Oxygen ⁽¹⁾	92-95 F1SZ 9F472 B m	.5	78.52
	96-97 F5MZ 9F472 B m	.5	95.74
7 Processor, EEC ⁽¹⁾ (a)	F6PZ 12A650 DNA m	.9	280.00

‡Order by Application
(a) Located on Dash Panel

ELECTRICAL

BATTERY



1 Battery			
540 Amp	BXT 58	.2	79.95
850 Amp ⁽¹⁾	BXT 65 850	.2	79.95
‡Used w/Heated W/S & Police Pkg			
2 Cable, Battery Pos/Neg			
1992			
To 3-92	F1VY 14300 A	.8	124.05
From 3-92	F2AZ 14300 B	.8	94.77
1993-94	F3VY 14300 A	.8	46.06
1995-97	F5VY 14300 A	.8	59.80

3 Reinf, Battery Mtg	F5AZ 10B168 A	#.4	6.04
4 Brace, Battery Mtg	F7AZ 10A705 AA	#.4	7.74
‡Includes R&R Battery			
5 Clamp, Hold Down	F2AZ 10718 B		9.65
6 Bolt, Clamp	FOVY 10756 B		1.40

HORN

Horn	92-94 F2AZ 13832 A	#.5	48.58
	95-97 F6AZ 13832 AA	#.5	48.58
‡w/Front Panel Removed Deduct .4			

IGNITION

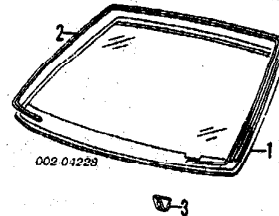
Coil, Ignition (2)	92-93 F1VY 12029 A m	.5	90.41
	94-97 F5LY 12029 A m	.5	90.41

ALTERNATOR

Alternator			
1992-94			
95 Amp	F6PZ 10346 RARM m	.9	179.48
130 Amp	F6AZ 10346 AARM m	.9	179.48
1995			
130 Amp	F3AZ 10346 A m	.9	360.10
1996-97			
130 Amp	F6PZ 10346 BFM m	.9	212.45
	F7PZ 10344 BA m	#.3	66.38
‡Included by Application			
Pulley, Alternator ⁽¹⁾			
1992-94	F4AZ 10153 B m		6.22
‡Order in R&R Alternator			
Bracket, Mounting			
Belt, Drive-See Cooling Section			

WINDSHIELD

Use Procedure Explanation 13 with the following text.
R&I Windshield..... #3.0
‡Includes Clean Up Old Adhesive as Necessary



1 Glass, Windshield			
Ford			
1992			
Heated	F2AZ 5403100 B	#2.5	1576.75
Non-Heated	F2AZ 5403100 A	#2.5	824.63
1993-94			
Solar	F4AZ 5403100 A	#2.5	582.35
Non-Solar	F3AZ 5403100 A	#2.5	506.40
1995-97	F7AZ 5403100 AA	#2.5	582.93
NAGS			
Heated-Clear/Blue Shade	DW01115CBBY	#2.5	492.15
Non-Heated			
Green/Blue Shade			
Solar	94 DW01189GBY	#2.5	565.95
	95-97 DW01202GBY	#2.5	560.85
Non-Solar	92 DW01114GBY	#2.5	492.15
	93-94 DW01149GBY	#2.5	492.15
‡Includes Clean Up Old Adhesive as Necessary			
2 Moulding, Reveal	F2AZ 5403144 A	#2.5	118.24
‡Included in R&I/R&R Windshield			
3 Stop, Windshield Glass	R/L F2AZ 5403296 A		6.96
Mldg, Inside Garnish ⁽¹⁾	92 R/L F2AZ 5403598-9 A	.2	71.21
	93 R F3AZ 5403598 A	.2	71.21
	L F3AZ 5403599 A	.2	26.75
	94 R/L F4AZ 5403598-9 B	.2	71.21
	95-97 R/L F5AZ 5403598-9 D	.2	71.21

‡Blue listed, Order by Application

Mirror, Rear View			
Day/Nite	92-94 F2AZ 17700 A	.2	45.00
	95 F6AZ 17700 AA	.2	35.00
	96-97 F6AZ 17700 AA	.2	35.00
Electrochromic	92 F2LY 17700 A	.2	327.28
	93-94 F8LZ 17700 AA	.2	283.70
	95 F6AZ 17700 AB	.2	185.00
	96-97 F6AZ 17700 AB	.2	185.00
Visor, Sun ⁽¹⁾			
w/Illuminated Mirror	R F2AZ 5404104 BB1	.2	233.79
	L F2AZ 5404105 BB1	.2	233.79
w/o Illuminated Mirror			
Left Only	F2AZ 5404105 AA1	.2	233.79
‡Blue listed, Order by Application			

WIPER SYSTEM

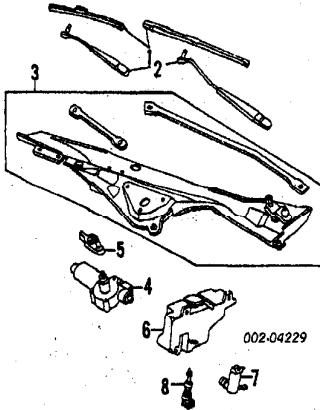
Illustration Located in Next Column

1 Blade, Wiper			
1992	R/L XF6Z 17528 AA	#.1	9.95
1993-97	R/L XW7Z 17528 AA	#.1	9.95
‡Included in R&R Wiper Arm			
2 Arm, Wiper			
92 R	F2AZ 17526 A	.2	28.35
	L F2AZ 17527 A	.2	29.00
93-97 R	F7AZ 17526 AA	.2	16.15
	L F7AZ 17527 AA	.2	13.48

CROWN VICTORIA 1992-97

WINDSHIELD Cont'd

WIPER SYSTEM Cont'd



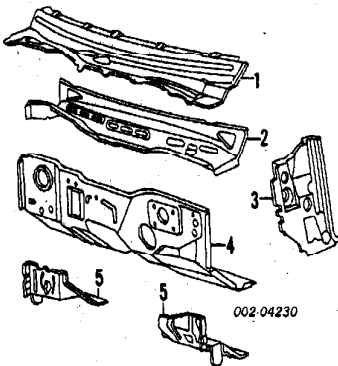
3 Pivot, Wiper	92-94 F2AZ 17566 B	5	339.98
	95-97 F7AZ 17566 AA	5	236.49
4 Motor, Wiper	92-94 F2VY 17508 A	#1.0	232.91
	95-97 F5VY 17508 A	#1.0	124.62
<i>#Includes R&R Cowl Top Screens & Wiper Arms</i>			
5 Arm, Motor Output	E7AZ 17A436 A		26.47
6 Reservoir, Washer			
w/Low Fluid Sensor	F2AZ 17618 B	#.5	29.86
w/o Low Fluid Sensor	F2AZ 17618 A	#.5	26.66
7 Pump, Washer	ESTZ 17664 B	#.5	25.25
8 Sensor, Fluid Level	F2AZ 17B649 A	#.5	11.47
<i>#R&R Complete</i>			
Nozzle, Washer	R/L F2AZ 17603 A	#.8	8.68
<i>#Includes R&R Wiper Arms & Cowl Top Screens, R&R Both .9</i>			

COWL & DASH

Use Procedure Explanations 14 and 28 with the following text.

Refinish Cowl Top Panel Complete	1.0
Refinish Cowl Side Panel	R/L .5
Refinish Dash Panel	#1.5

#Includes Refinish Cowl Top Panel



Panel, Cowl Top			
1 Outer	F5AZ 5402012 A	7.0	202.66
2 Inner	92-94 F2AZ 5402018 A	#8.5	217.34
	95 F5AZ 5402018 A	#8.5	206.99
	96-97 F6AZ 5402018 AB	#8.5	108.64
<i>#Includes R&R Outer Panel</i>			
3 Panel, Cowl Side	92-94 R/L F2AZ 5402038-9 A	#2.5	106.80
	95-97 R F5AZ 5402038 A	#2.5	76.54
	L F5AZ 5402039 A	#2.5	89.87
<i>#w/Cowl Top Outer Panel Removed Deduct 1.0</i>			
Panel, Cowl Trim	92-93 R F2AZ 5402344 AAT	.2	21.37
	L F2AZ 5402345 AAT	.2	21.37
	94-96 R F5AZ 5402344 AAJ	.2	33.02
	L F5AZ 5402345 AAJ	.2	22.90
	97 R F7AZ 5402344 AAN	.2	31.30
	L F7AZ 5402345 AAB	.2	20.25
<i>Blue listed, Order by Application</i>			
4 Panel, Dash	92-94 F2AZ 5401610 A	#12.5	153.17
	95-97 F5AZ 5401610 A	#12.5	105.87
<i>#Includes R&R Dash Panel Braces, w/Inner Cowl Top Panel Removed Deduct 2.5, w/Cowl Side Panel Removed Deduct 1.5</i>			
5 Brace, Dash Panel	R F2AZ 5401714 A	1.5	89.77
	L F2AZ 5401715 A	1.5	81.41

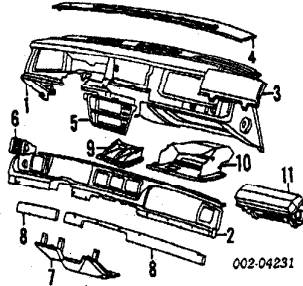
INSTRUMENT PANEL

Use Procedure Explanation 14 with the following text.

1992-94

Refinish Ashtray Panel	3
R&I Instrument Panel Assy	m 5.5

NOTE: All Parts in this section are included in R&R Instrument Panel unless noted otherwise.

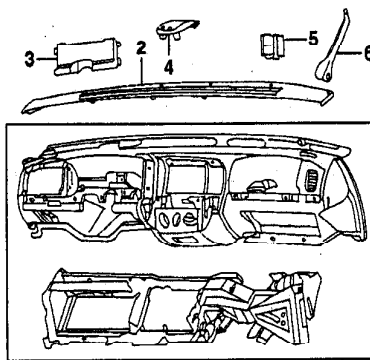


1 Panel, Instrument	92 F2AZ 5404320 Fm	6.5	604.20
	93-94 F3MY 5404320 Am	6.5	742.93
2 Panel, Cluster Finish			
w/Electronic Inst	F2AZ 54044D70 X	.9	177.15
w/o Electronic Inst	F2AZ 54044D70 R	.9	392.98
3 Panel, Finish	F2AZ 5404338 D	.3	102.02
4 Grille, Defroster Opening	F2AZ 54044E82 A	.1	73.17
5 Panel, Center Finish (a)	F2AZ 5404608 A	#.4	54.97
<i>#Includes R&R Left Panel Lower Moulding</i>			
6 Register, A/C Duct (a)	R F2AZ 19893 E	41.15	
	L F2AZ 19893 H	29.43	
<i>(a) Order by Application</i>			
7 Cover, Steering Column	F2AZ 5404459 A	.2	86.90
<i>Blue listed, Order by Application</i>			
8 Moulding, Panel Lower	R F2AZ 5404388 A	.2	61.65
	L F2AZ 5404389 A	.2	57.57
	F0AZ 5404810 A	.1	70.78
9 Panel, Ashtray (P)			
<i>(P) Paint to Match</i>			
10 Compartment, Glove Box	F2AZ 5406010 D	.5	172.12
<i>Blue listed, Order by Application</i>			
11 Module, Air Bag-See Air Bag System Section	92 F0VY 54044F80 A	27.10	
	93-94 F3AZ 54044F80 A	27.10	
Radio			
w/Cassette			
w/Premium Sound	F2AZ 18806 B	.8	444.80
w/o Premium Sound	F0LY 18806 C	.8	600.64
w/o Cassette	F2AZ 18806 A	.8	255.69
<i>Order by Application</i>			

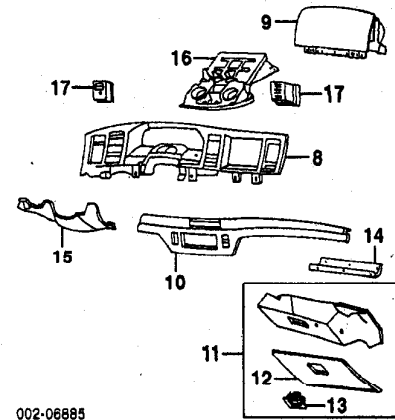
1995-97

Refinish Glove Box Door Latch	3
R&I Instrument Panel Assy	m 5.2

NOTE: All Parts in this section are included in R&R Instrument Panel unless noted otherwise.



1 Panel, Instrument	95 F5AZ 5404320 Bm	6.2	1750.10
	96 F6AZ 5404320 AAD m	6.2	1635.60
	97 F7AZ 5404320 AAB m	6.2	1033.50
<i>Blue listed, Order by Application</i>			
2 Grille, Defroster Opening	F5AZ 54044E82 A	.5	85.52
w/Automatic Temp Control	F5AZ 54044E82 B	.5	96.03
w/o Automatic Temp Control	F5AZ 54044E82 B	.5	96.03
3 Cluster	95 F5AZ 10849 AR	#1.1	255.19
	96-97 F6AZ 10849 AR	#1.1	255.19
<i>Remanufactured Part. Contact Dealer for Core Charge & Exchange Information</i>			
4 Clock, Digital	F5VY 15000 A	#1.0	44.24
<i>#Includes R&R Cluster Finish Panel</i>			
5 Register, A/C Duct	R/L F5AZ 19693 G	24.63	
<i>Blue listed, Order by Application</i>			
6 Brace, Inst Pnl	R F5AZ 54045D56 A	12.20	
7 Reinf, Strg Column	F5AZ 54017A28 A	22.72	



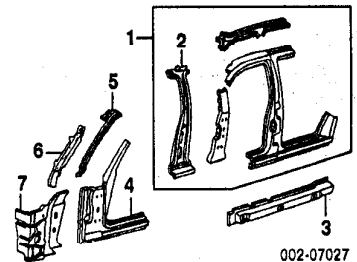
8 Panel, Cluster Finish			
w/Electronic Inst	95-96 F7AZ 54044D70 CAA	.9	132.07
	97 F7AZ 54044D70 CAA	.9	132.07
w/o Electronic Inst	95-96 F7AZ 54044D70 DAA	.9	132.07
	97 F7AZ 54044D70 AAA	.9	132.07
9 Module, Air Bag-See Air Bag System Section			
10 Mldg, Panel Lower	95 F5AZ 54046A62 E	.5	144.38
	96 F6AZ 54046A62 BAC	.5	147.15
	97 F7AZ 54046A62 AAD	.5	134.58
11 Compt Assy, Glove Box	F5AZ 5406010 D	.5	241.05
12 Door, Glove Box (a)	F4AZ 5406024 B	#.3	125.32
<i>(a) Included w/Glove Box Compt Assy</i>			
13 Latch, Glove Box Door (P) (a)	F7AZ 5406072 AAD	.2	15.25
<i>(P) Paint to Match</i>			
14 Hinge, Glove Box	F5AZ 5406050 A	#.3	10.20
<i>#R&R Complete</i>			
16 Reinf, Strg Column Opng	F5AZ 5404502 A	.2	26.63
16 Ashtray	F5AZ 5404810 AAC		81.73
<i>Blue listed, Order by Application</i>			
17 Register, A/C	R/L F5AZ 19893 G	#.9	24.83
<i>#R&R One or All, Included in R&R Cluster Finish Panel</i>			
Radio			
w/Cassette	F5AZ 18806 AA	.8	382.05
w/o Cassette	F5AZ 18806 BA	.8	388.76

ROCKER/PILLARS/FLOOR

Use Procedure Explanations 14, 15 and 28 with the following text.

Refinish Center Body Pillar Assy	R/L	2.8
Refinish Inner Lower Pillar	R/L	1.0
Refinish Upper Outer Pillar	R/L	.5
Refinish Rocker Moulding Assy	R/L	1.6
Refinish Rocker Moulding Cap	R/L	.4
R&I Rocker Mldg Assy	R/L	.3
R&R Front Rocker	R/L	6.0
R&R Rear Rocker	R/L	#6.0

#Deduct 1.5 w/Quarter Panel Removed, Deduction Includes Common Surfaces & Included Operations

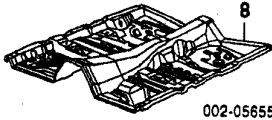


1 Pillar Assy, Ctr Body	R F2AZ 54243A00 A	#16.0	1226.40
	L F2AZ 54243A01 A	#16.0	1226.58
<i>#w/Quarter Panel Removed Deduct 1.5, Deduction Includes Common Surfaces & Included Operations</i>			
2 Pillar, Ctr Body	92-94 R/L F2AZ 5424300-1 A		45.99
	95-97 R/L F5AZ 5424300-1 A		1044.21
<i>Included w/Center Body Pillar Assy</i>			
3 Reinf, Ctr Body Pillar Lower	R F5AZ 5420402 A	3.5	68.90
	L F5AZ 5420403 A	3.5	68.79
Moulding Assy, Rocker Cap, Rocker Mldg	R/L F6AZ 5410176-7 AAA	.4	81.36
	R F6AZ 54101C48 AAA	.1	9.11
	L F6AZ 54101C49 AAA	.1	9.06
<i>Included w/Rocker Mldg Assy</i>			
4 Pillar, Inner Lower	92-94 R/L F2AZ 54025A00-1 A	7.5	482.36
	95-97 R/L F5AZ 54025A00-1 A	7.5	791.58
5 Pillar, Upper Outer	R F2AZ 5402508 A	3.5	42.68
	L F2AZ 5402509 A	3.5	49.10
6 Pillar, Upper Inner	R/L F2AZ 5402504-5 A	1.0	204.24
7 Reinf, Hinge Upper	92-94 R/L F2AZ 5422842-3 A	1.5	046.30
	95-97 R/L F5AZ 5422842-3 A	1.5	61.78
Panel, Pillar Trim			
Upper	R F2AZ 5424346 AAT	#.8	39.37
	L F2AZ 5424347 AAT	#.8	86.61
<i>#Includes R&R Lower Trim Panel & Scuff Plates</i>			

CROWN VICTORIA 1992-97

Lower	R	F2AZ 5424346 BAT	#.4	129.54
	L	F2AZ 5424347 BAT	#.4	40.38

Blue listed, Order by Application
#Includes R&R Scuff Plates



7 Pan, Front Floor	92-94	F2AZ 5411135 A	#20.5	608.78
	95-97	F5AZ 5411135 A	#20.5	666.76
#Deduct 4.5 w/Each Ctr Body Pillar Assy Removed				
Plate, Front Scuff	R/L	F2AZ 5413208-9 A	.2	22.94
Plate, Rear Scuff	R/L	F2AZ 5413228-9 A	.2	11.38

Blue listed, Order by Application

FRONT SEAT

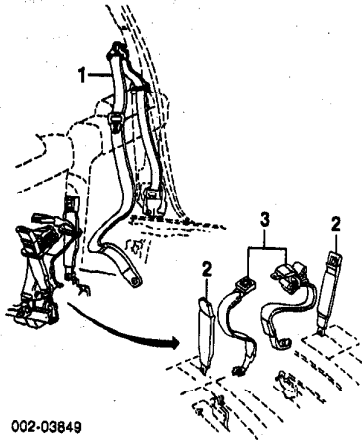
R&I Front Seat	R/L		.3	
Adjuster, Seat				
Manual				
Driver				
To 11-91	R/L	F2AZ 5461704-5 A	#.8	25.00
From 11-91	R	F7AZ 5461704 AA	#.8	50.00
	L	F5AZ 5461705 AG	#.8	50.00
Passenger	R	F2AZ 5461704 B	#.8	18.67
	L	F2AZ 5461705 B	#.8	25.00
#R&R Both One Seat 1.2				
Power				
1992-94				
Driver		F2AZ 5461711 BB	.8	250.00
Passenger		F2AZ 5461710 BB	.8	250.00
1995-97				
Driver				
w/Memory	R	F5AZ 5461710 A	#.8	165.00
	L	F5AZ 5461711 B	#.8	250.00
w/o Memory	R/L	F5AZ 5461710-1 A	#.8	165.00
Passenger	R/L	F5AZ 5461710-1 A	#.8	165.00
#R&R Both One Seat 1.2				
Recliner				
Manual Seat				
92-94 R/L	FOVY 5462648-9 B	1.0	182.31	
95-97 R/L	F5VY 5462648-9 A	1.0	137.31	
Power Seat				
92-94 R/L	FOVY 5462648-9 A	1.0	182.31	
95-97 R/L	F5VY 5462648-9 A	1.0	137.31	

REAR SEAT

R&I Rear Seat Cushion			.2	
R&I Rear Seat Back			#.3	

#Includes R&I Cushion

SEAT BELTS



002-03849

Belt, Seat Front				
1 Retractor				
92-94 R	F2AZ 54611B08 C	.6	56.30	
	L F2AZ 54611B09 D	.6	56.30	
95-97 R/L	F7AZ 54611B08-9 AAB	.6	65.69	
2 Buckle				
92-94 R	F2AZ 5461202 A	#.5	15.97	
	L F2AZ 5461203 A	#.5	18.63	
95-97 R/L	F5AZ 5461202-3 C	#.5	18.63	
#Includes R&I Front Seat, R&R Both .6				
3 Center				
92-94	F2AZ 54611B60 A	#.5	34.94	
95-97	F5AZ 54611B60 C	#.5	34.94	
#Includes R&I Front Seat				
Belt, Seat Rear				
Retractor				
92-94 R	F2AZ 54611B68 D	#.3	49.24	
	L F2AZ 54611B69 A	#.3	49.24	
95-97 R/L	F6AZ 54611B68-9 C	#.3	57.44	
#Includes R&I Cushion, R&R Both .4				
Buckle				
92-94 R	F2AZ 5460044 A	#.3	21.78	
	L F5VY 5460045 B	#.3	25.41	
95-96 R/L	F5AZ 5460044-5 C	#.3	25.41	
97 R/L	F7AZ 5460044-5 AAB	#.3	25.41	

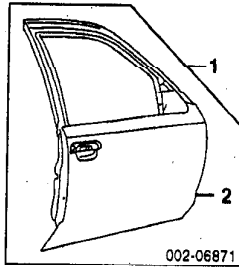
Blue listed, Order by Application
#Includes R&I Cushion, R&R Both .4

FRONT DOOR

Use Procedure Explanations 16 and 28 with the following text.

SHEET METAL

Refinish Door Outside	R/L	2.4
Add for Jamb & Interior	R/L	1.0
Add for Jamb	R/L	.5
R&I Door Assy	R/L	1.4
Section Door Repair Panel		
w/Keyless Entry	R	#6.5
	L	#6.8
w/o Keyless Entry	R/L	#6.5
#Includes R&R Mirror, Mirror Reinf, Door Glass & Keyless Entry Pad		
Add to R&R Door Shell		
w/Power Locks	R/L	.2

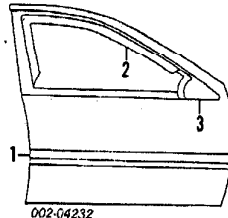


002-06871

1 Shell Assy, Door				
w/Keyless Entry				
92-94 R*	F4AZ 5420124 A	#5.2	668.07	
	L *F4AZ 5420125 B	#5.4	681.43	
95-97 R*	XW7Z 5420124 AA	#5.2	450.00	
	L *XW7Z 5420125 BA	#5.4	450.00	
w/o Keyless Entry				
92-94 R*	F4AZ 5420124 A	#5.2	668.07	
	L *F4AZ 5420125 A	#5.2	668.07	
95-97 R*	XW7Z 5420124 AA	#5.2	450.00	
	L *XW7Z 5420125 AA	#5.2	450.00	
#Includes R&R Mirror, Speaker, & Keyless Entry Pad				
2 Panel, Door Repair				
w/Keyless Entry				
R	F8AZ 5420200 AA	#7.5	158.55	
L	F8AZ 5420201 BA	#7.7	126.82	
w/o Keyless Entry				
R	F8AZ 5420200 AA	#7.5	158.55	
L	F8AZ 5420201 AA	#7.5	126.82	
#Includes R&R Mirror, Mirror Reinforcement, Door Glass & Keyless Entry Pad				
Bar, Reinforcement	R/L	F2AZ 5421204 A	51.96	
<i>Included w/Door Shell Assy</i>				

EXTERIOR TRIM

Refinish Side Moulding	R/L	.4
Refinish Rear View Mirror	R/L	.5
Refinish Mirror Cover	R/L	.4
Refinish Access Opening Cover	R/L	.3
R&I Rear View Mirror	R/L	#.7
#Includes R&I Trim Panel		
R&I Window Opening Mldg	R/L	#1.3
R&I Outer Belt W/Strip	R/L	#.9
#Includes R&I Trim Panel & R&R Mirror		



002-04232

1 Moulding, Side (P) (Adhesive)				
2" Wide				
w/Bright Insert	92-95 R	F5AZ 5420878 PTM	.2	83.48
	L	F5AZ 5420879 PTM	.2	76.20
w/o Bright Insert	95-97 R	F7AZ 5420878 PTMB	.2	72.80
	L	F7AZ 5420879 PTMB	.2	72.80
3 1/3" Wide				
w/o Bright Insert	92-94 R	F5AZ 5420878 PTMB	.2	87.22
	L	F5AZ 5420879 PTMB	.2	85.72
	95-97 R/L	F7AZ 5420878-9 PTM	.2	81.89
w/o Bright Insert	R	F5AZ 5420878 PTMC	.2	98.11
	L	F5AZ 5420879 PTMC	.2	85.72
#Order by Application				
(P) Paint to Match				
2 Mldg, Window Opng	92-94 R/L	F8AZ 5420550-1 AAA	#.7	74.24
	95-97 R/L	F8AZ 5420550-1 AAA	#.7	74.24
#w/Trim Panel & Mirror Removed				
Guard, Edge				
Black	R/L	E7AZ 5420910 ASP	#.1	d3.44
Bright	R/L	F2AZ 5420910 AA	#.1	d4.12
#R&R One or Both				
W/Strip, Belt Outer	R	F6AZ 5421452 AAA	#.3	20.22
	L	F6AZ 5421453 AAA	#.3	20.92
#w/Trim Panel & Mirror Removed				
3 Mirror, Rear View (P)	92-94 R/L	F3AZ 17682 A-B	#.3	165.00
	95-96 R/L	F6AZ 17682 BA-AA	#.3	150.00
	97 R/L	F7AZ 17682 AA-BA	#.3	150.00
#w/Trim Panel Removed				

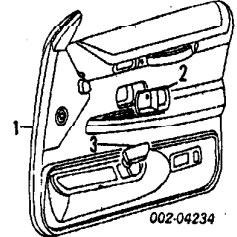
Cover, Mirror (P)	92-94 R	F2AZ 17D742 B	.2	25.00
	L	F2AZ 17D743 B	.2	26.97
	95-97 R	F5AZ 17D742 AA	.2	25.00
	L	F5AZ 17D743 A	.2	27.40
Cover, Access Opng (P)	R	F2AZ 17E680 A	6.13	
	L	F2AZ 17E681 A	6.73	

(P) Paint to Match

INTERIOR TRIM

R&I Trim Panel	R/L	.5
----------------	-----	----

NOTE: All Parts in this section are included in R&R Trim Panel unless noted otherwise.

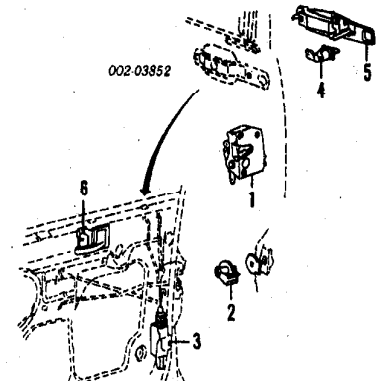


002-04234

1 Panel, Trim				
Cloth				
92-94 R	F2AZ 5423942 BCF	.7	d827.37	
	L F2AZ 5423943 BCF	.7	782.76	
95-97 R	F5AZ 5423942 BAJ	.7	827.37	
	L F6AZ 5423943 CCL	.7	784.23	
92-94 R	F2AZ 5423942 AAT	.7	d827.37	
	L F2AZ 5423943 AAT	.7	943.75	
95-97 R	F6AZ 5423942 BBK	.7	784.23	
	L F6AZ 5423943 CCR	.7	784.23	
2 Cup, Inside Handle				
R/L	F4AZ 5422634-5 B	.1	4.69	
3 Cover, Panel Opening				
R/L	F4AZ 5421456-7 A	#.1	27.05	
#Blue listed, Order by Application				
W/Strip, Belt Inner				
Speaker, Radio	R/L	F9AZ 18808 E	#.1	43.96
w/Premium Sound	R/L	EOAZ 18808 A	#.1	39.54
w/o Premium Sound	R/L	F9AZ 18808 A	#.1	39.54
#w/Trim Panel Removed, Not Included in R&R Trim Panel				

HARDWARE

Refinish Upper Hinge	R/L	.2		
Refinish Lower Hinge	R/L	.2		
R&I Outside Handle	R/L	#.7		
#Includes R&I Trim Panel				
R&R Door Lock Cyl	R/L	#.3		
#w/Trim Panel Removed				
1 Latch				
92-94 R	F43Z 5421812 A	#.3	47.02	
	L F8AZ 5421813 AA	#.3	46.41	
95-97 R	F8AZ 5421812 AA	#.3	47.02	
	L F5AZ 5421813 B	#.3	47.02	
#w/Trim Panel Removed				
2 Striker, Latch				
R/L	F2AZ 5422008 A	.2	12.42	
3 Actuator, Latch				
R/L	F8AZ 54218A42 AA	#.2	36.39	
#w/Trim Panel Removed				
4 Cylinder Kit, Lock				
See Steering Wheel/Column Section				
5 Handle, Outside				
R/L	F5AZ 5422404-5 A	#.3	70.27	
#w/Trim Panel Removed, Includes R&R or Transfer Lock Cylinder				
Pad, Keyless Entry				
92-95	F2AZ 14A626 A	#.2	80.42	
96-97	F6AZ 14A626 AA	#.2	60.18	
#Blue listed, Order by Application				
#w/Trim Panel Removed				
6 Handle, Inside				
R/L	F2AZ 5421818-9 BD	#.2	16.10	
#w/Trim Panel Removed				
Hinge, Upper				
R/L	F8AZ 5422800 AA	#.5	28.42	
Hinge, Lower				
R/L	F8AZ 5422810 AA	#.5	23.35	
#w/Door Removed, Includes R&R Cowl Trim Panel				
W/Strip, Door Opening	R/L	F2AZ 5420530-1 B	.4	53.97

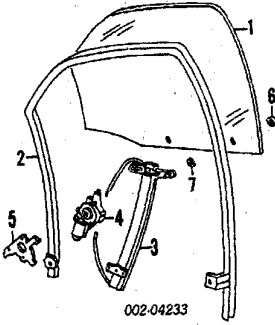


002-03852

CROWN VICTORIA 1992-97

FRONT DOOR Cont'd

GLASS & PARTS



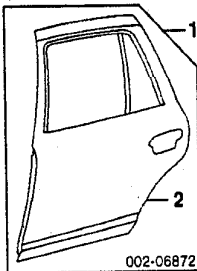
1 Glass, Front Door			
Ford			
1992-94			
To 2-94			
Non-Solar	R/L F2AZ 5421410-1 A	#1.3	242.87
From 2-94			
Solar	R/L F5AZ 5421410-1 A	#1.3	312.22
1995-97	R/L F5AZ 5421410-1 A	#1.3	312.22
NAGS-Green			
Non-Solar	R/L DD07905-0GTN	#1.3	217.65
Solar	R/L DD08626-7GTN	#1.3	277.30
<i>#Includes R&I Trim Panel</i>			
2 Run, Glass			
	R F4AZ 5421596 A	#1.1	108.43
	L F4AZ 5421597 A	#1.1	119.68
<i>#Included in R&R Glass</i>			
3 Regulator, Window			
	R/L F7AZ 5423208-9 AA	#1.3	112.79
<i>#w/Glass Removed Deduct .7</i>			
4 Motor, Regulator			
	R F2VY 5423395 A	#.9	170.65
	L F2VY 5423394 A	#.9	181.60
<i>#Included in R&R Regulator</i>			
5 Bracket, Motor	R/L F2AZ 5423389-5 A		19.88
6 Retainer, Channel Brkt	R/L D9AZ 54234A46 AA		1.53
7 Spacer, Channel Brkt	R/L D9AZ 54234A44 AA		1.55

REAR DOOR

Use Procedure Explanations 16 and 28 with the following text.

SHEET METAL

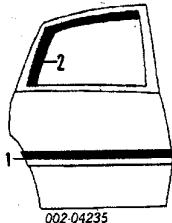
Refinish Door Outside	R/L	2.3
Add for Jamb & Interior	R/L	1.0
Add for Jamb	R/L	.5
R&I Door Assy	R/L	1.1
Section Door Repair Panel	R/L	#6.0
<i>#Includes R&R Door Glass</i>		
Add to R&R Door Shell		
w/Power Lock	R/L	.2



1 Shell Assy, Door			
	R F6AZ 5424630 AA	4.7	1050.00
	L F6AZ 5424631 AA	4.7	1050.00
2 Panel, Door Repair			
	R F2AZ 5424700 A	#7.0	252.40
	L F2AZ 5424701 A	#7.0	252.40
<i>#Included w/Door Shell Assy</i>			
<i>#Includes R&R Glass</i>			

EXTERIOR TRIM

Refinish Side Moulding	R/L	.4
R&I Window Opening Mldg	R/L	#.8
<i>#Includes R&I Trim Panel</i>		
R&I Outer Belt W/Strip	R/L	.3

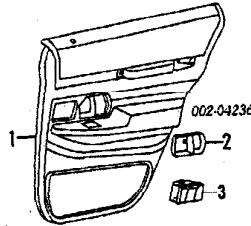


1 Moulding, Side (P) (Adhesive)			
2" Wide			
w/Bright Insert	92-95 R	F5AZ 5425556 PTM	.2 79.25
	L	F5AZ 5425557 PTM	.2 72.34
w/o Bright Insert	95-97 R	F7AZ 5425556 PTMB	.2 77.76
	L	F7AZ 5425557 PTMB	.2 77.76
3 1/3" Wide			
w/Bright Insert	92-94 R	F5AZ 5425556 PTMB	.2 83.34
	L	F5AZ 5425557 PTMB	.2 72.33
	95-97 R/L	F7AZ 5425556-7 PTM	.2 77.76
w/o Bright Insert	92-94 R	F5AZ 5425556 PTMC	.2 80.13
	L	F5AZ 5425557 PTMC	.2 64.30
<i>#Order by Application</i>			
<i>(P) Paint to Match</i>			
2 Mldg, Window Opening			
	R	F5AZ 54255A60 AAA	#.5 31.23
	L	F5AZ 54255A61 AAA	#.5 23.51
<i>#w/Trim Panel Removed</i>			
Guard, Edge			
Black	R/L	E7AZ 5420910 ASP	#.1 d3.44
Bright	R/L	F2AZ 5420910 AA	#.1 d4.12
<i>#R&R One or Both</i>			
W/Strip, Belt Outer	R/L	F2AZ 5425596-7 A	.3 51.44

INTERIOR TRIM

R&I Trim Panel	R/L	.4
----------------	-----	----

NOTE: All Parts in this section are included in R&R Trim Panel unless noted otherwise.

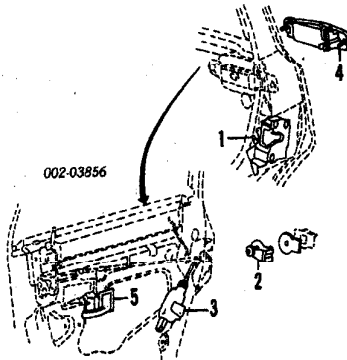


1 Panel, Trim			
1992-94			
Cloth	R	F2AZ 5427406 BCF	.5 551.60
	L	F2AZ 5427407 BCF	.5 469.11
Vinyl	R	F2AZ 5427406 AAT	.5 d51.60
	L	F2AZ 5427407 AAT	.5 d469.11
1995-96	R	F6AZ 5427406 AAD	.5 522.83
	L	F6AZ 5427407 AAD	.5 522.83
1997	R	F7AZ 5427406 AAA	.5 522.83
	L	F7AZ 5427407 AAA	.5 522.83
2 Cup, Inside Handle			
	R/L	F2AZ 5422634-5 EA	.1 4.42
3 Receptacle, Ash			
	R/L	F2AZ 5430702 D	.1 15.34
<i>#Blue listed, Order by Application</i>			
W/Strip, Belt Inner	R/L	F4AZ 5425860-1 A	#.1 26.47
<i>#w/Trim Panel Removed, Not Included in R&R Trim Panel</i>			

HARDWARE

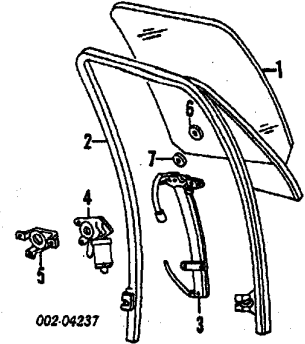
Refinish Upper Hinge	R/L	.2
Refinish Lower Hinge	R/L	.2
R&I Outside Handle	R/L	#.7

#Includes R&I Trim Panel



1 Latch			
To 2-15-95			
	R/L	F2AZ 5426412-3 A	#.3 94.01
From 2-15-95			
	R	F5AZ 5426412 AD	#.3 17.00
	L	F5AZ 5426413 AD	#.3 17.72
<i>#w/Trim Panel Removed</i>			
2 Striker, Latch			
	R/L	F2AZ 5422008 A	.2 12.42
3 Actuator, Latch			
1992-94			
	R/L	F5TZ 7826594 A	#.2 69.57
1995-97			
	R/L	F8AZ 5426594 AA	#.2 30.34
4 Handle, Outside			
	92-94 R/L	F6AZ 5426604-5 AA	#.3 28.86
	95-97 R/L	F6AZ 5426604-5 AA	#.3 28.86
5 Handle, Inside			
	92-93 R/L	F2AZ 5421818-9 BD	#.2 16.10
	94-97 R/L	F5AZ 5421818-9 E	#.2 17.00
<i>#Blue listed, Order by Application</i>			
<i>#w/Trim Panel Removed</i>			
Hinge, Upper	R/L	F2AZ 5426800 A	#.2 38.91
Hinge, Lower	R/L	F4AZ 5426802 A	#.2 38.91
<i>#w/Door Removed</i>			
W/Strip, Door Surround	R/L	F5AZ 5425324-5 A	.5 45.54
Seal, W/Strip Upper	92-94 R/L	F5AZ 5425324-5 AA	.2 14.86
	95-97 R/L	F5AZ 5425324-5 AA	.2 14.86

GLASS & PARTS



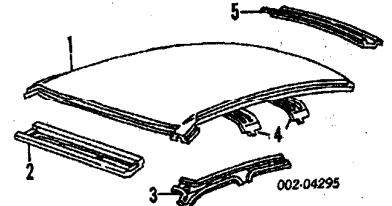
1 Glass, Rear Door Moveable			
Ford			
	92-94 R/L	F2AZ 5425712-3 A	#1.0 229.32
	95-97 R/L	F5AZ 5425712-3 A	#1.0 328.14
NAGS-Green			
Non-Solar	92-93 R/L	DD07907-8GTN	#1.0 211.15
Solar	94-97 R/L	DD08628-9GTN	#1.0 286.40
<i>#Includes R&I Trim Panel</i>			
2 Glass, Rear Door Stationary			
Ford			
	92-93 R/L	F2AZ 5426870-1 A	#1.2 566.82
	94-97 R/L	F4AZ 5426870-1 A	#1.2 939.72
NAGS-Green			
1992-93			
Non-Solar			
w/Attach	R	DV07909GTY	#1.2 518.20
	L	DV07910GTY	#1.2 518.20
w/o Attach	R	DV07909GTN	#1.2 397.70
	L	DV07910GTN	#1.2 397.70
1994-97			
Solar			
w/Attach	R/L	DV08630-1GTY	#1.2 1080.40
w/o Attach	R/L	DV08630-1GTN	#1.2 218.10
<i>#Includes Moveable Glass Run</i>			
<i>#Includes R&R Moveable Glass</i>			
3 Regulator, Window			
	R/L	F7AZ 5427008-9 AA	#1.1 58.55
<i>#w/Glass Removed Deduct .8</i>			
4 Motor, Regulator			
	R	F2VY 5423394 A	#.9 181.60
	L	F2VY 5423395 A	#.9 170.65
<i>#Included in R&R Regulator</i>			
5 Bracket, Motor	R/L	F2AZ 5423389-5 B	19.88
6 Retainer, Channel Brkt	R/L	D9AZ 54234A46 AA	1.53
7 Spacer, Channel Brkt	R/L	D9AZ 54234A44 AA	1.55

ROOF

Use Procedure Explanations 17 and 28 with the following text.

SHEET METAL

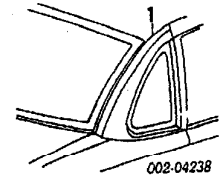
Refinish Roof Outside	3.2
Add to Edge Roof	1.2



1 Panel, Roof			
	F2AZ 5450202 A	19.0	357.90
2 Panel, Front Header			
	F2AZ 5403408 A	1.5	62.22
3 Rail, Roof Side Inner			
	92-94 R	F2AZ 5451180 A	2.5 44.51
	L	F2AZ 5451181 A	2.5 46.75
	95-97 R	F5AZ 5451180 A	2.5 59.89
	L	F5AZ 5451181 A	2.5 57.03
4 Reinf, Roof Panel (2)			
	XW7Z 5450244 AA	.5	65.52
5 Frame, Back Window			
	92	F2AZ 5442220 A	1.5 52.04
	93-94	F3AZ 5442220 A	1.5 52.04
	95-97	F5AZ 5442220 A	1.5 30.15
Headliner			
Lamp, Dome	92-94	F1DZ 13776 A	1.3 415.27
	95-97	F5AZ 13776 D	.3 57.80
<i>#Blue listed, Order by Application</i>			
W/Strip, Drip Side	R/L	F2AZ 5451822-3 A	.3 28.43

EXTERIOR TRIM

Refinish Roof Side Moulding	R/L	.6
-----------------------------	-----	----



1 Moulding, Roof Side (P)	R/L	F2AZ 5451728-9 A	.3 82.44
---------------------------	-----	------------------	----------

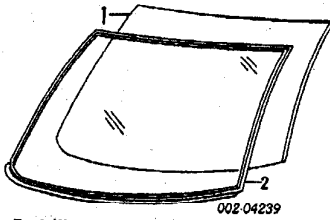
(P) Paint to Match

CROWN VICTORIA 1992-97

BACK WINDOW

Use Procedure Explanation 19 with the following text.

R&I Back Glass..... #2.1
#Includes Clean Up Old Adhesive as Necessary



1 Glass, Back Window Ford

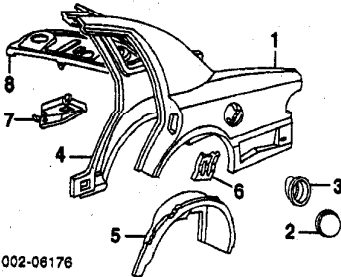
Heated	92-93 F2AZ 5442006 A	#1.7	976.72
	94 F4AZ 5442006 B	#1.7	1132.23
	95 F5AZ 5442006 A	#1.7	1245.45
	96 F6AZ 5442006 AB	#1.7	1245.45
	97 F6AZ 5442006 AB	#1.7	1245.45
Non-Heated	92-93 F2AZ 5442006 B	#1.7	329.76
	94 F4AZ 5442006 A	#1.7	1018.67
NAGS-Green			
1992-94			
Heated			
Non-Solar	DB07913GTY	#1.7	1122.95
Solar	DB08634GTY	#1.7	1301.75
Non-Heated			
Non-Solar	DB07914GTY	#1.7	309.75
Solar	DB08635GTY	#1.7	678.00
1995	DB08717GTY	#1.7	1431.90
1996	DB08950GTY	#1.7	1431.90
1997	DB08717GTY	#1.7	1431.90
#Includes Clean Up Old Adhesive as Necessary			
Stop, Back Window Lower	R/L F2AZ 5442308 A		4.60
2 Moulding, Reveal	F2AZ 5442404 A	#1.7	73.30
#Included in R&R Back Window			

QUARTER PANEL

Use Procedure Explanations 20 and 28 with the following text.

SHEET METAL

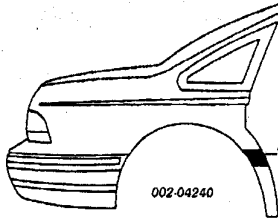
Refinish Quarter Outside	R/L	2.4
Add for Pillar	R/L	.5
Add to Edge Panel	R/L	.5
Refinish Fuel Filler Door		.4
R&R Both Quarter Panels		28.2
R&R Roof & Both Quarter Panels		42.1
R&R Rear Body Panel & Both Quarter Panels		31.7
R&R Roof, Both Quarter Panels & Rear Body Panel		45.6
Add to R&R Quarter Panel To R&I Back Glass		.4



1 Panel, Quarter	92-94 R	F2AZ 5427840 A	#15.5	780.53
	L	F2AZ 5427841 A	#16.0	780.53
	95-97 R	F5AZ 5427840 A	#15.5	622.09
	L	F5AZ 5427841 A	#16.0	622.09
#Left Side Includes R&R Fuel Filler Door & Housing, Deduct 3.4 w/Roof Removed, Deduction Includes Common Surfaces & Included Operations				
2 Door, Fuel Filler	w/Remote Release	F2AZ 54405A26 A	.4	48.91
	w/o Remote Release	F2AZ 54405A26 B	.4	52.24
3 Housing, Fuel Filler	w/Remote Release			
	To 11-91	F2AZ 5427936 A	.8	48.44
	From 11-91	F2AZ 5427936 C	.8	54.57
	w/o Remote Release	92-94 F5AZ 5427936 A	.8	48.44
	95-97 F5AZ 5427936 A	.8	48.44	
4 Panel, Inner	R/L	F6AZ 5427930-1 AA	5.5	159.35
	R/L	F2AZ 5427886-7 A	2.5	74.61
5 Panel, Wheelhouse Inner	R/L	F2AZ 5442738-9 A	.5	53.12
6 Bracket, Wheelhouse	R/L	F2AZ 5446813 A	.5	39.02
7 Support, Package Tray	R	F2AZ 5446812 A	.5	53.12
	L	F2AZ 5446813 A	.5	39.02
8 Panel, Package Tray	92-94	F2AZ 5446506 B		159.61
	95-97	F5AZ 5446506 A		159.61

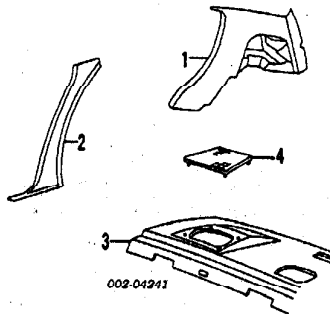
EXTERIOR TRIM

Refinish Quarter Front	Moulding R/L	.2
------------------------	--------------	----



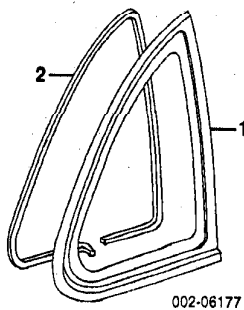
1 Midq. Quarter Front† (P) (Adhesive) 2" Wide	w/Bright Insert	R	F5AZ 5429076 PTM	.2	11.95
		L	F5AZ 5429077 PTM	.2	34.38
	w/o Bright Insert	95-97 R	F5AZ 5429076 PTM	.2	11.95
		L	F5AZ 5429077 PTM	.2	34.38
3 1/3" Wide	w/Bright Insert	92-94 R	F5AZ 5429076 PTMB	.2	29.69
		L	F5AZ 5429077 PTMB	.2	34.38
		95-97 R/L	F7AZ 5429076-7 PTM	.2	17.39
	w/o Bright Insert	92-94 R	F5AZ 5429076 PTMB	.2	29.69
	L	F5AZ 5429077 PTMB	.2	34.38	
#Order by Application (P) Paint to Match					

INTERIOR TRIM



1 Panel, Trim Upper†	1992-94	R/L	F2AZ 5452018-9 AAQ	#.6	65.76
	1995-97	R	F6AZ 5452018 AAL	#.6	65.76
		L	F5AZ 5452019 AA1	#.6	69.38
2 Panel, Trim Lower†	1992-93	R	F2AZ 5431012 ABL	#.5	26.10
		L	F2AZ 5431013 ABL	#.5	d27.54
	1994-97	R/L	F4AZ 5431012-3 AA1	#.5	27.54
	#Includes R&I Rear Seat				
3 Panel, Package Tray†	w/Premium & JBL Sound				
	1992-93		F2AZ 5446668 BAT	#1.0	143.40
	1994-96		F5AZ 5446668 BAU	#1.0	143.40
	1997		F7AZ 5446668 BBB	#1.0	143.40
w/o Premium & JBL Sound	1992-93		F2AZ 5446668 AAT	#1.0	143.40
	1994-96		F5AZ 5446668 AAU	#1.0	151.28
	1997		F7AZ 5446668 AAB	#1.0	143.40
	#Includes R&I Seat & R&R Upper Trim Panels & High Mount Stop Lamp				
4 Grille, Speaker†	w/Premium & JBL Sound	R/L	F2AZ 10970-9 K	#.1	14.91
	#Ebony listed, Order by Application				
#Included in R&R Package Tray Panel					
Speaker, Radio	w/Premium Sound	R/L	F1SZ 18808 A	#.3	131.81
	w/JBL Sound	R/L	F1VY 18808 A	#.3	164.74
	w/Base Stereo	R/L	F2AZ 18808 B	#.3	32.96
	#Includes R&R Speaker Grille				

QUARTER GLASS



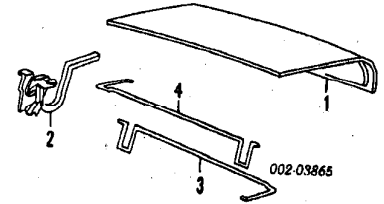
1 Glass, Quarter Ford	92-93 R/L	F2AZ 5429710-1 A	#1.0	914.74
	94-97 R/L	F4AZ 5429710-1 A	#1.0	1051.92
NAGS-Green				
Non-Solar-To 1-94	R/L	DQ07911-2GTY	#1.0	786.65
Solar-From 1-94	R/L	DQ08632-3GTY	#1.0	1209.40
#Includes R&I Rear Seat & R&R Upper Trim Panel				
2 Weatherstrip	R/L	F2AZ 5429904 A		7.39

LUGGAGE LID

Use Procedure Explanations 24 and 28 with the following text.

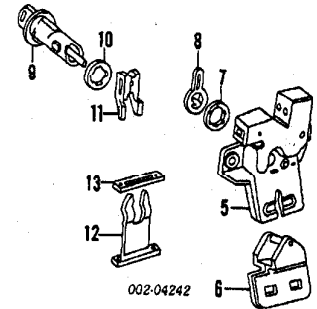
SHEET METAL

Refinish Luggage Lid Outside		2.7
Add for Underside		1.3
Refinish Hinge	R/L	.3
R&I Lid Assy.		29.23



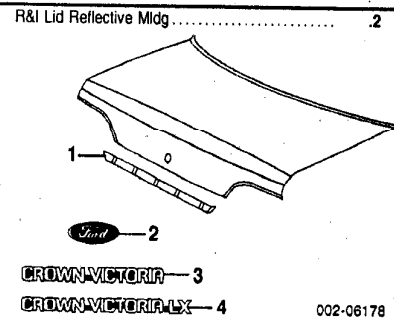
1 Lid, Luggage	92-94	F4AZ 5440110 A	1.5	600.00
	95	F5AZ 5440110 A	1.5	534.88
2 Hinge, Lid	96-97	F6AZ 5440110 AB	1.5	539.83
	92-94 R/L	F2AZ 5442700-1 A	#2.4	105.17
	95-97 R/L	F6AZ 5442700-1 A	#2.4	29.23
#w/Lid Removed, Includes R&R Torsion Bars & Package Tray Panel Trim				
3 Right	92-94	F2AZ 5444890 A	#.5	35.97
	95-97	F5AZ 5444890 A	#.5	13.93
4 Left	92-94	F2AZ 5444891 A	#.5	35.97
	95-97	F5AZ 5444891 A	#.5	13.93

#R&R Both .6



5 Latch, Lid 1992-94	w/Deck Ajar Switch	F6LZ 6343200 AA	.3	39.73	
	w/o Deck Ajar Switch	F2AZ 3443200 C	.3	34.82	
	1995-97	F8AZ 5443200 AA	.3	41.28	
6 Striker, Latch		F2AZ 54404A2 A	#.3	11.43	
7 Clip, Lock Retainer	92-93	E6DZ 5440182 A	#.3	4.99	
	94-97	F4AZ 5440182 A	#.3	4.17	
8 Plate, Lock Cylinder	92-94	E6DZ 5443627 A	#.3	4.17	
	94-97	F4AZ 5443627 A	#.3	4.17	
9 Cylinder, Lock†	w/Power Lock	92-94	F2AZ 5443507 C	#.3	37.17
		95-97	F5AZ 5443507 A	#.3	35.40
	w/o Power Lock	92-94	F2AZ 5443507 A	#.3	37.17
		95-97	F5AZ 5443507 B	#.3	25.07
#Includes Glove Box Cylinder					
10 Pad, Lock Cylinder		F3AZ 5443625 A	#.3	3.50	
11 Support, Lock Cylinder	E6DZ	5443248 A	#.3	4.17	
	F2AZ	5443629 A	#.3	5.88	
12 Retainer, Lock Cyl	92-94	F5AZ 5443629 A	#.3	5.49	
	95-97	F5AZ 5443629 A	#.3	5.49	
13 Seal, Retainer	92-94	F2AZ 54433A28 A	#.3	19.23	
	95-97	F5AZ 54433A28 A	#.3	18.94	
#R&R Complete, Does Not Include R&R Glove Box Lock					

EXTERIOR TRIM



R&I Lid Reflective Midg.		.2		
1 Midg. Lid Reflective	1992	F2AZ 5442512 A	.2	74.85
	1993-94	F3AZ 5442512 A	.2	185.69
	1995-97-See Rear Lamps Section			
	Nameplate (Adhesive)			
2 "Ford" (Oval)	92-94	F2AZ 5442528 C	.2	9.99
	95-97	F5AZ 5442528 B	.2	9.99
3 "Crown Victoria"	92-94	F2AZ 5442528 A	.2	9.99
	95-96	F5AZ 5442528 AA	.2	9.99

CROWN VICTORIA 1992-97

LUGGAGE LID Cont'd

EXTERIOR TRIM Cont'd

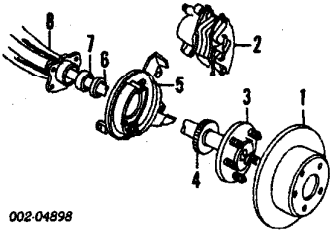
4 "Crown Victoria LX"	92-94	F2AZ 5442528 D	2	9.99
	95-97	F5AZ 5442528 A	2	9.99

REAR SUSPENSION

Use Procedure Explanation 23 with the following text.

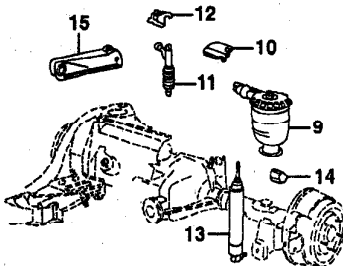
R&I Suspension/Axle Housing Assy	m	3.0
Check Rear Alignment	m	.8
Add to Adjust Front Alignment	m	1.0
Bleed Brake System		
w/ABS	m	.6
w/o ABS	m	.3

NOTE: R&I/R&R Does Not include alignment or bleed brake system.



002-04898

1 Rotor, Brake	92-95 R/L	F1VY 2C026 A	m	#.6	85.00
	96-97 R/L	XW7Z 2C026 AAm	m	#.6	85.00
#R&R Both 1.0					
2 Caliper, Brake	R/L	F5AZ 2552 A	m	#.5	81.61
#R&R Both .8, w/Rotor Removed Deduct .4					
3 Shaft, Axle					
w/ABS	R/L	F2AZ 4234 B	m	#1.4	197.40
w/o ABS	R/L	F2AZ 4234 C	m	#1.4	165.62
4 Indicator, ABS Sensor					
To 2-1-92	R/L	F1VY 2C189 A	m	#1.4	10.37
From 2-1-92	R/L	F2AZ 2C189 A	m	#1.4	4.25
5 Plate, Caliper Anchor	R/L	F5AZ 2B582 A	m	#1.4	86.18
6 Seal, Oil	R/L	F67Z 1177 AC	m	#1.4	2.23
7 Bearing, Axle	R/L	E5SZ 1225 A	m	#1.4	25.83
#R&R One Side Complete, R&R Both Sides 2.6					
8 Housing, Axle	92-94	F1VY 4010 A	m	#6.4	952.97
	95-97	F5VY 4010 A	m	#6.4	968.68
#Includes R&R Rotors, Axle Shafts, Bearings & Springs					



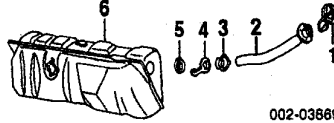
002-06245

9 Spring, Rear					
w/Air Springs	R/L	F5AZ 5560 A	m	#.7	172.28
w/o Air Springs	R/L	D9AZ 5560 AJ	m	#.7	76.63
#Order by Application					
#R&R Both 1.0					
10 Shield, Air Spring	R/L	F5AZ 5A908 A	m		11.15
11 Sensor, Ride Height					
w/Sport Susp	93-94	F3AZ 5359 A	m	.5	102.35
	95-97	F5AZ 5359 BA	m	.5	71.47
w/o Sport Susp	92-94	FOVY 5359 A	m	.5	117.30
	95-97	F5VY 5359 A	m	.5	90.16
12 Bracket, Sensor					
13 Absorber, Shock					
w/Air Springs	R/L	F6AZ 18125 BA	m	#.8	24.95
w/o Air Springs	R/L	E9AZ 18125 F	m	#.8	24.95
#Order by Application					
#R&R Both 1.0, w/Axle Housing Removed Deduct .7					
14 Bumper, Rear Axle	R/L	D9AZ 4730 A	m	2	10.85
Arm, Rear Suspension					
15 Upper					
w/Air Springs	R	FOAZ 5500 A	m	#.8	50.22
	L	F2AZ 5500 A	m	#.8	35.17
w/o Air Springs	R/L	FOAZ 5500 A	m	#.8	50.22
#Time is to R&R Both as per Manufacturer Recommendation, w/Axle Housing Removed R&R Both .4					
16 Lower	R/L	D9AZ 5A649 E	m	#.9	82.97
#Time is to R&R Both as per Manufacturer Recommendation, w/Axle Housing Removed R&R Both .4					
Bar, Stabilizer					
#Includes R&R Bushings, Brackets & Link Kits					
Bushing, Bar	R/L	FOVY 5493 B	m	#.4	9.60
#Includes R&R Bracket					
Bracket, Bar	R/L	FOVY 5486 A	m	.2	5.00
#Order by Application					
Link Kit, Bar	R/L	F1VY 5864 A	m	.3	10.42

FUEL TANK

R&I Fuel Tank	1.3
---------------	-----

NOTE: R&I/R&R Does Not include drain fuel.



002-03869

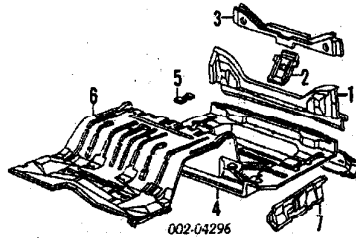
1 Cap, Filler	92-94	F4DZ 9030 A		12.91
	95	F5AZ 9030 B		24.26
	96-97	F7DZ 9030 AA		19.54
2 Pipe, Filler	92-94	F3AZ 9034 A	#.7	48.96
	95	F5AZ 9034 D	#.7	54.97
	96-97	F6AZ 9034 AE	#.7	92.40
#w/Tank Removed Deduct .6				
3 Seal, Filler		F4ZZ 9008 A		8.96
4 Retainer, Filler Pipe	92-94	FOVZ 9B233 A		10.43
	95-97	F5AZ 9B233 A		10.95
5 Seal, Filler Pipe		F4ZZ 9072 A		1.76
6 Tank, Fuel	92	F2VZ 9002 A	m 1.6	490.94
	93-94	F3AZ 9002 A	m 1.6	317.89
	96	F6AZ 9002 DA	m 1.6	498.66
	97	F7AZ 9002 CA	m 1.6	433.62
Strap, Tank Support	92 R/L	F1VZ 9092 A	#.8	20.35
	93-95 R/L	E6AZ 9092 A	#.8	20.22
	96-97 R/L	F6AZ 9092 DA	#.8	5.68
Sender, Fuel				
1992-94				
Electronic Inst	F3VY 9275 B	#1.6	31.60	
Mechanical Inst	F3AZ 9275 E	#1.6	31.60	
1995-97	F5AZ 9275 A	#1.6	47.03	
Pump, Fuel	92	F1PY 9A407 A	m #1.6	169.00
	93-94	F2VY 9A407 A	m #1.6	284.74
	95-96	F5AZ 9350 A	m #1.6	268.82
	97	F7AZ 9350 AB	m #1.6	280.57
#Included in R&R Fuel Tank				

REAR BODY

Use Procedure Explanations 26 and 28 with the following text.

SHEET METAL

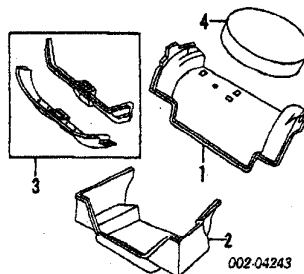
Refinish Rear Body Panel	1.0
Add for Inside	.8
Refinish Rear Floor Pan	1.5



002-04296

1 Panel, Rear Body	92-94	F2AZ 5440320 A	#6.5	101.20
	95-97	F5AZ 5440320 A	#6.5	94.49
#Includes R&R Panel Reinforcement, Deduct 2.0 for Each Quarter Removed, Deduction Includes Common Surfaces & Included Operations				
2 Bracket, Striker	92-94	F2AZ 5443235 A	#1.5	26.02
	95-97	F6MZ 5443235 AA	#1.5	52.90
#Includes R&R Striker, w/Rear Body Panel Removed				
Deduct 1.0				
3 Reinf, Panel	92-94	F4AZ 5440338 A		53.92
	95-97	F5AZ 5440338 A		55.45
4 Pan Assy, Rear Floor				
1992-94		F6AZ 5411215 BD	#8.0	243.05
1995		F6AZ 5411215 BD	#8.0	243.05
1996-97		F6AZ 5411215 A	#8.0	307.32
#w/Rear Body Panel Removed				
5 Bracket, Spare Mtg		F2AZ 5447076 B	#.3	6.12
#Included in R&R Rear Floor Pan				
6 Pan, Center Floor		F2AZ 5411160 A	#8.5	582.44
#w/Rear Floor Pan Removed				
7 Extension, Pan/Qttr Panel	#Not Serviced			
#Included w/Rear Floor Pan Assy				

INTERIOR TRIM



002-04243

Cover, Luggage Floor				
1 Front	92-94	F2AZ 5445455 A	#.3	187.70
	95-97	F5AZ 5445455 AAC	#.3	181.70
2 Rear				
1992-94		F3AZ 5445455 A	#.3	207.17
1995-97				
w/Disc Player		F5AZ 5445455 B	#.3	181.70
w/o Disc Player		F6AZ 5445455 ACG	#.3	181.70
#Order by Application				
#R&R Both .5				
3 Panel, Still Trim				
Rear Floor	92-94	F2AZ 5411318 A	.1	26.82
	95-97	F5AZ 5411318 AAA	.1	17.04
4 Cover, Spare Tire				
w/Full Size Spare	92-94	F2AZ 5445026 B		90.50
	95-97	F5AZ 5445026 B		85.37
w/Space Saver Spare				
1992-94		F2AZ 5445026 A		90.08
1995-97		F5AZ 5445026 A		90.08

REAR LAMPS

COMBINATION LAMP

R&I Combination Lamp Assy	R/L	.4
---------------------------	-----	----

002-04244

1 Lamp, Tail	92-94 R/L	F2AZ 13404-5 A	.4	170.74
	95-97 R/L	F5AZ 13404-5 A	.4	163.10
2 Socket & Wiring	92-94 R/L	F2AZ 13410 A		31.70
	95-97 R/L	F5AZ 13410 A		44.98
Bulb, Tail Lamp	R/L	F4CZ 13466 A	#.2	1.65
#Included in R&R Lamp Assy				
3 Mldg, Lamp-Serviced w/Tail Lamp				

LICENSE LAMP 1992-94

002-04245

1 Lamp, License	R/L	F23Z 13550 A	#.2	10.88
#Included in R&R Bumper Rear Cover				
2 Socket & Wire, Back-Up Lamp		E8AZ 13412 A		25.70

REFLECTOR/LICENSE LAMP 1995-97

R&I Reflector/License Lamp Assy		.3
---------------------------------	--	----

002-06874

1 Lamp, Reflector		F5AZ 13A565 A	#.3	140.10
2 Lamp, License		F5AZ 13550 A	#.2	26.21
#Included in R&R Luggage Lid				
3 Bulb, Lamp (2)		D4MY 13466 A	#.1	1.82
#Included in R&R License Lamp				

STOP LAMP HIGH MOUNT

Refinish Lamp Assy		.3
--------------------	--	----

002-04246

1 Lamp, High Mount Stop	(P)	F2AZ 13A613 B	#.3	82.34
#Located on Package Shelf				
#(P) Paint to Match				
#Included in R&R Package Tray Panel				
Bulb, Stop Lamp	R/L	D7TZ 13466 A	#.2	1.45
#Included in R&R Lamp Assy				

CROWN VICTORIA 1992-97

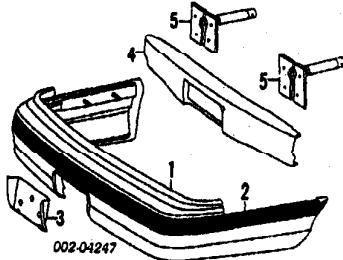
REAR BUMPER

Use Procedure Explanations 27 and 28 with the following text.

1992-94

Refinish Rear Cover	2.7
R&I Bumper Assy	1.0
O/H Bumper Assy (Includes R&I)	2.0

NOTE: All Parts in this section are included in overhaul unless noted otherwise.

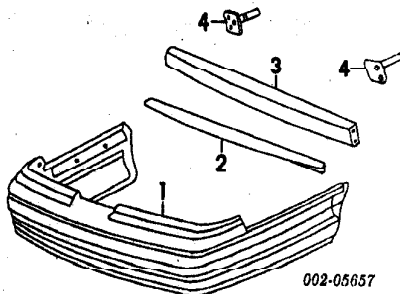


1 Cover, Rear (P) (P) Paint to Match	F2AZ 17K835 A	1.5	450.00
2 Strip, Impact Black/Bright	F2AZ 17C830 A	.4	73.20
Bright	F2AZ 17C830 B	.4	66.37
Black	F2AZ 17C830 C	.4	86.83
3 Shield, Bumper Opening	F2AZ 17C857 A	.2	17.37
4 Reinf. Cover	F2AZ 17906 B	2.0	291.47
5 Isolator, Bumper	R/L F2AZ 17787 A	#2	117.32
<i>#w/Bumper Assy Removed, Not Included in O/H</i>			
Bracket, Side	R/L F1AZ 17E828 A	#1	3.12
<i>#w/Bumper Cover Removed, Included in R&R Quarter Panel, Not Included in O/H</i>			

1995-97

Refinish Rear Cover	2.7
R&I Bumper Assy	1.0
O/H Bumper Assy	2.0

NOTE: All Parts in this section are included in overhaul unless noted otherwise.



1 Cover, Rear (P) (P) Paint to Match	F5AZ 17K835 A	1.5	460.62
2 Strip, Impact	F5AZ 17C830 A	.4	58.33
3 Support, Rear Cover Center	F5AZ 17D995 B	#1.5	44.26
Side	R/L F5AZ 17D995 C	#1.5	39.21
<i>#R&R Complete, Included in R&R Rear Cover</i>			
3 Reinf. Rear Cover	F5AZ 17906 A	2.0	250.83
4 Isolator, Bumper	R/L F5AZ 17787-R A	#2	51.65
<i>#w/Bumper Assy Removed, Not Included in O/H</i>			

ESCORT COUPE ZX2 1998-99

SECTION INDEX

A/C Refrigerant Capacities	52
ABS/Brakes	53
Air Bag System	53
Air Cleaner	55
Air Conditioning/Heater	52
Back Window	59
Center Console	57
Clear Coat Identification	51
Cooling	52
Cowl & Dash	58
Cruise Control System	53
Electrical	56
Emission System	55
Engine/Trans	55
Engine/Trans Mounts	55
Exhaust	55
Front Bumper	51
Front Door	58
Front Drive Axle	54
Front Fender	53
Front Inner Structure	53
Front Lamps	51
Front Seat	57
Front Steering Linkage/Gear	54
Front Suspension	54
Fuel Tank	60
Hood	52
Information Labels	51
Instrument Panel	56
Luggage Lid	59
Paint Code Location	51
Quarter Glass	59
Quarter Panel	59
Rear Body	61
Rear Bumper	61
Rear Lamps	61
Rear Seat	57
Rear Suspension	60
Rocker/Pillars/Floor	57
Roof	59
Seat Belts	57
Special Cautions	51
Steering Pump	54
Steering Wheel/Column	55
Sunroof	59
Underhood Dimensions	53
Wheel	53
Windshield	56

SPECIAL CAUTIONS

AIR BAG

Refer to Procedure Explanation 30 for Supplemental Restraint/Air Bag Special Cautions.

PAINT CODE LOCATION

Paint code located on left lock pillar.

CLEAR COAT IDENTIFICATION

All colors are clear coat.

INFORMATION LABELS

Labels must be special ordered from dealer by vehicle name, serial number and application.

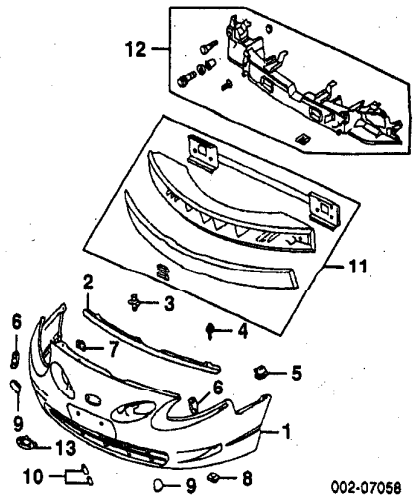
FRONT BUMPER

Use Procedure Explanations 7 and 28 with the following text.

Refinish Front Cover	2.7
R&I Bumper Assy	1.0
R&I Front Cover8
O/H Bumper Assy (Includes R&I)	1.8
Add to R&I or O/H Bumper w/Fog Lamps3

NOTE: All Parts in this section are included in overhaul unless noted otherwise.

ESCORT COUPE ZX2 1998-99

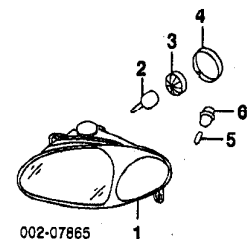


1 Cover, Front (P) w/Fog Lamps	F8CZ 17757 BA	1.5	543.42
w/o Fog Lamps	F8CZ 17757 AA	1.5	307.48
<i>(P) Paint to Match</i>			
2 Filler, Front	F8CZ 1/E902 AA		13.68
3 Clip, Filler Ctr	F7CZ 17C756 EA		3.63
4 Bolt, Filler	R/L F7CZ 17C756 CA		3.56
5 Clip, Cover Side	R/L F7CZ 17C756 DA		3.45
6 Plate, Cover Mtg UpR	R/L F8CZ 17C756 AA		4.10
7 Plate, Cover Mtg Side	R/L F7CZ 17C756 AA		4.20
8 Plate, Cover Mtg Lwr	H/L F7CZ 17C756 FA		4.18
9 Cover, Opening	R/L F8CZ 17E810-1 AA		15.08
10 Pad, Cover-Not Serviced			
11 Support, Cover	F8CZ 17C947 BA	1.8	191.78
12 Reinf. Cover	F8CZ 8A284 AA	#1.5	149.64
<i>#Includes R&I Front Cover & R&I/R&R Combination Lamp Assemblies, Not Included in O/H</i>			
13 Emblem, Front	F8CZ 8A223 AA		5.21

FRONT LAMPS

COMBINATION LAMP

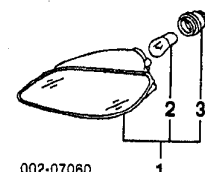
R&R Does not include Aim Lamps3
R&I Lamp Assy	R/L #1.0
<i>#Includes R&I Front Cover Assy</i>	



1 Lamp, Combination			
1998			
To 8-25-97	R/L F8CZ 13008 AA-BA	#1.0	192.86
From 8-25-97	R/L XS4Z 13008 CA-DA	#1.0	220.00
1999	R/L XS4Z 13008 CA-DA	#1.0	220.00
<i>#Includes R&I Front Cover Assy</i>			
2 Bulb, H/Lamp	R/L F4TZ 13N021 B	#2	10.47
<i>#Included in R&R Lamp Lens</i>			
3 Retainer, H/Lamp Bulb	R/L F4DZ 13N019 A		4.34
4 Seal, H/Lamp Bulb	R/L N.A.		N.A.
5 Bulb, Marker Lamp	R/L C2AZ 13466 C		.59
6 Socket, Marker Lamp	R/L F87Z 13411 AA		5.83
Module, Daytime Running	F1CZ 15A272 B	.4	69.30
Brkt, Daytime Running Module	F8CZ 13B214 AA		55.24

PARK/SIGNAL LAMP

R&I Park Lamp Assy	R/L	.3
--------------------------	-----	----



1 Lamp Assy, Park/Signal	R/L F8CZ 13368-9 AD	#3	30.98
<i>#Included in R&R Front Bumper Cover</i>			
2 Bulb	R/L F5DZ 13466 A	.2	3.61
3 Socket, Bulb	R/L F42Z 13K371 E		31.02
<i>#Included w/Park/Signal Lamp Assy</i>			